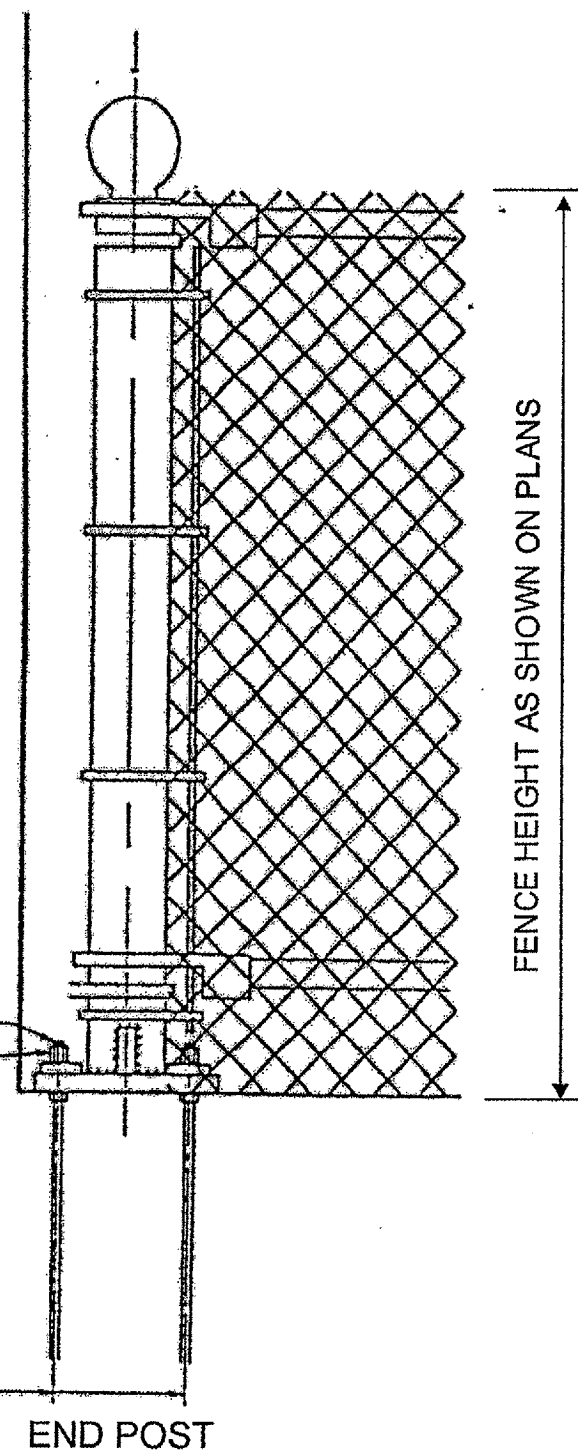


ROUTE	SECTION	COUNTY	TOTAL SHEETS	SHEET NUMBER
VARIOUS	2004-0891	COOK	27	26

CONTRACT NO. 62833

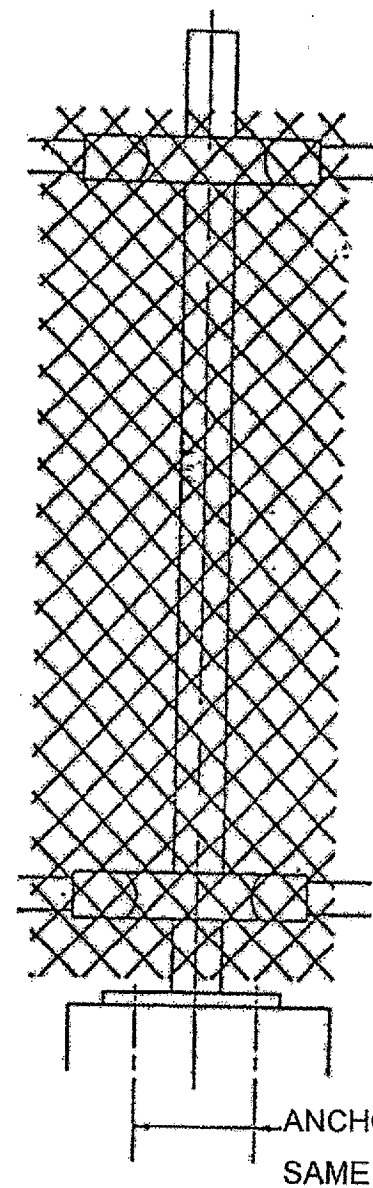


CUT BOLT TO WITHIN 5 (1/4) OF NUT. FURNISH HEX. NUTS AND WASHERS FOR EACH ANCHOR BOLT.

1/2" DIA. ANCHOR BOLTS TO BE DRILLED AND GROUTED, 4 BOLTS PER EACH POST.

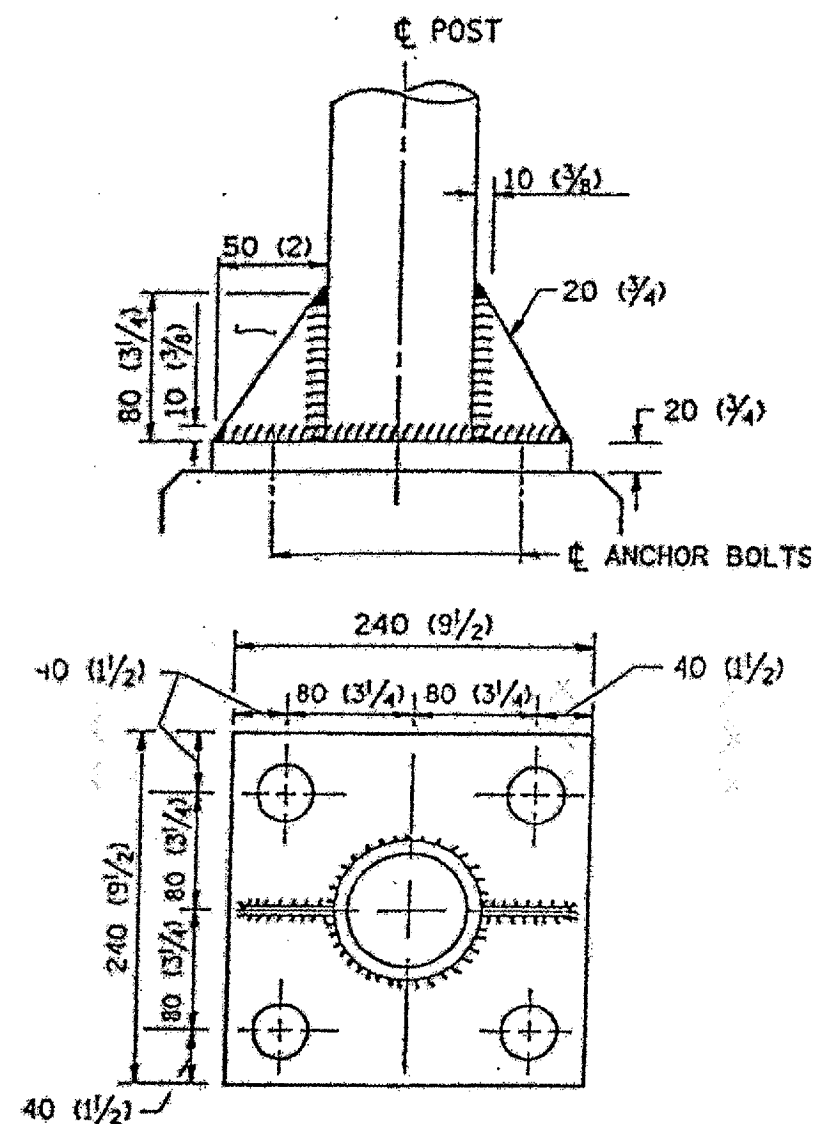
END POST

ALL HARDWARE AND LABOR NECESSARY TO CONSTRUCT AND INSTALL POSTS SHALL BE INCLUDED IN THE COST OF THE CHAIN LINK FENCE TO BE INSTALLED.



ANCHOR BOLT DETAIL
SAME AS END POST

LINE POST



ANCHOR PLATE DETAILS

NOTE:

POST PLATE AND GUSSET ASSEMBLY SHALL BE GALVANIZED AFTER CUTTING, DRILLING, WELDING, AND FABRICATION HAVE BEEN COMPLETED. THE GALVANIZED COATING SHALL CONFORM TO THE REQUIREMENTS OF AASHTO M 120. THE GALVANIZED COATING SHALL NOT BE LESS THAN 610G/SQ M (2.0 OZ./SQ. FT.)