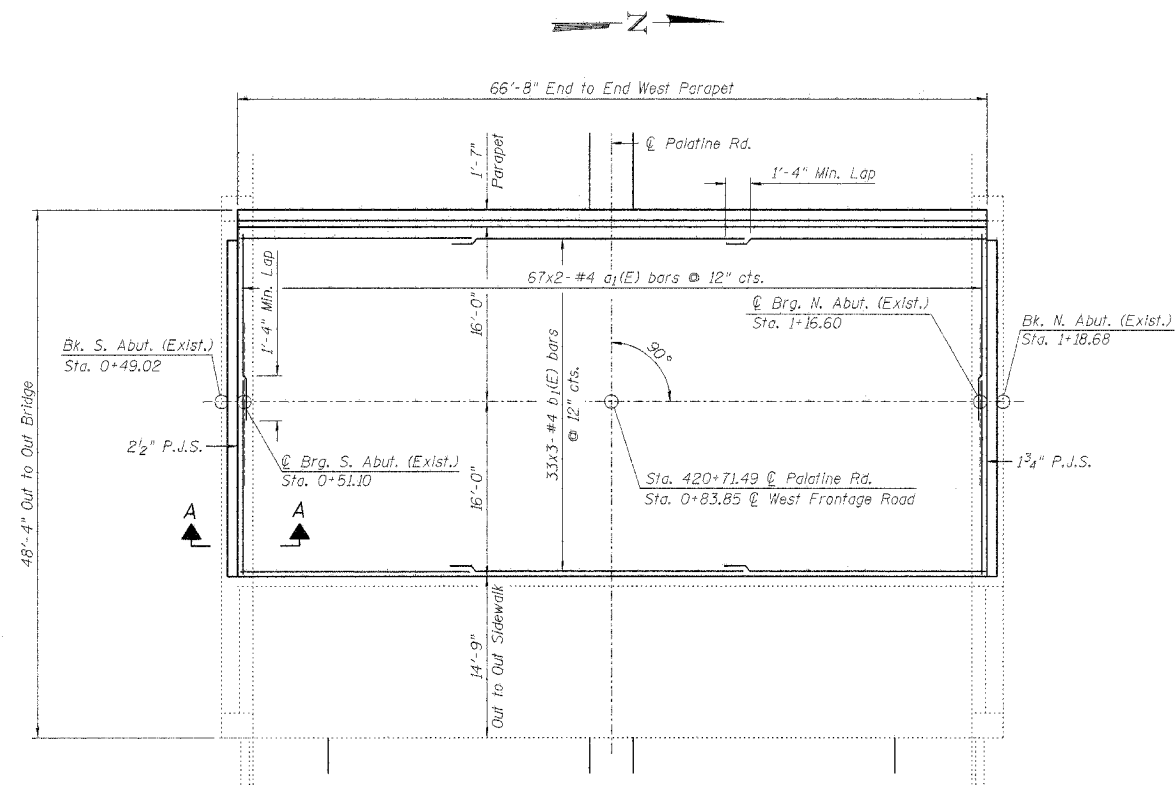


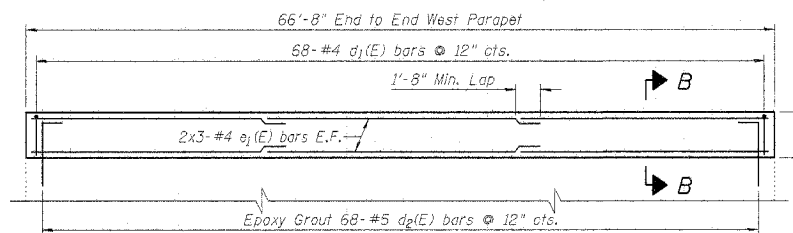
STATE OF ILLINOIS
DEPARTMENT OF TRANSPORTATION

ROUTE NO.	SECTION	COUNTY	SHEET NO.	SHEET	SHEET NO. 5 6 SHEETS
F.A.P. 305	*	COOK	72	45	

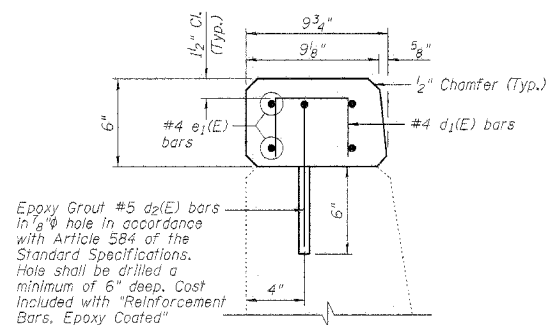
*2004-108 BR Contract No. 62853



DECK PLAN



INSIDE ELEVATION OF PARAPET



SECTION B-B

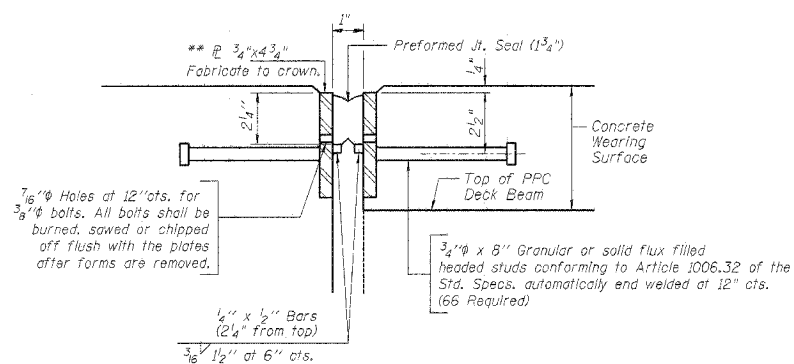
BILL OF MATERIAL

Bar	No.	Size	Length	Shape
d1(E)	134	#4	16'-11"	—
b1(E)	99	#4	23'-6"	—
d1(E)	68	#4	1'-1"	□
d2(E)	68	#5	1'-4"	┌
e1(E)	12	#4	23'-3"	—

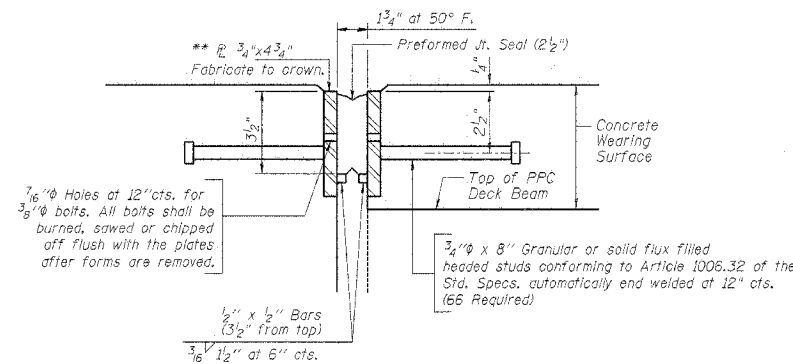
Item	Unit	Quantity
Preformed Joint Seal 1 3/4"	Foot	31
Preformed Joint Seal 2 1/2"	Foot	31
Bridge Deck Grooving	Sq. Yd.	220
Protective Coat	Sq. Yd.	310
Concrete Superstructure	Cu Yd	1.0
Reinforcement Bars, Epoxy Coated	Pound	3,400
Concrete Wearing Surface	Sq. Yd.	240
Furnishing and Erecting Structural Steel	Pound	1,684

Reinforcement bars designated (E) shall be epoxy coated

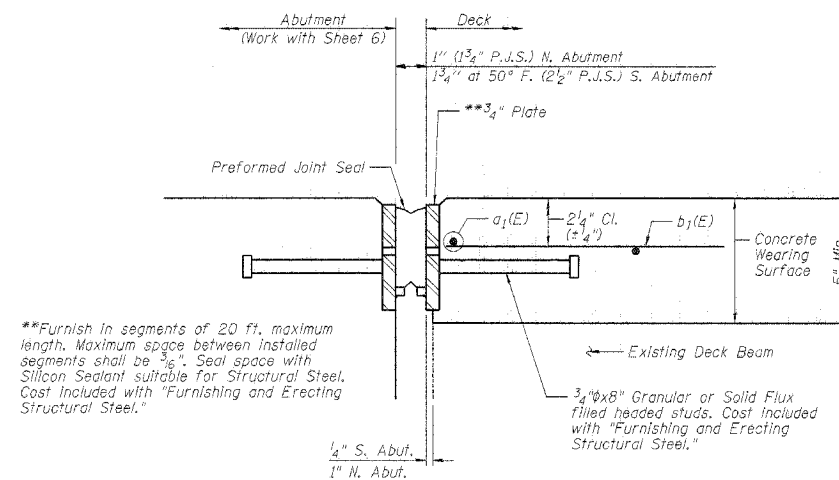
Bars indicated thus: 33x3-#4 etc. Indicates 33 lines of bars with 3 lengths per line.



1 3/4" PREFORMED JOINT SEAL DETAIL



2 1/2" PREFORMED JOINT SEAL DETAIL



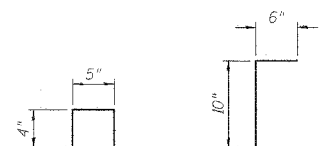
SECTION A-A

(2 1/2" PJS Shown, 1 3/4" PJS Similar)



PREFORMED JOINT SEAL (1 3/4")

PREFORMED JOINT SEAL (2 1/2")



BAR d1(E) BAR d2(E)

EXPANSION JOINT AND PARAPET DETAILS
WEST FRONTAGE ROAD OVER PALATINE ROAD
FAP 305/PALATINE ROAD
SECTION 2004-108 BR
COOK COUNTY
STA. 0+88.97
STRUCTURE NO. 016-2530

BRANCO & ZROKA ENGINEERING, P.C.	
DESIGNED	LAS
CHECKED	DAZ
DRAWN	SAW
CHECKED	LAS

February 2005