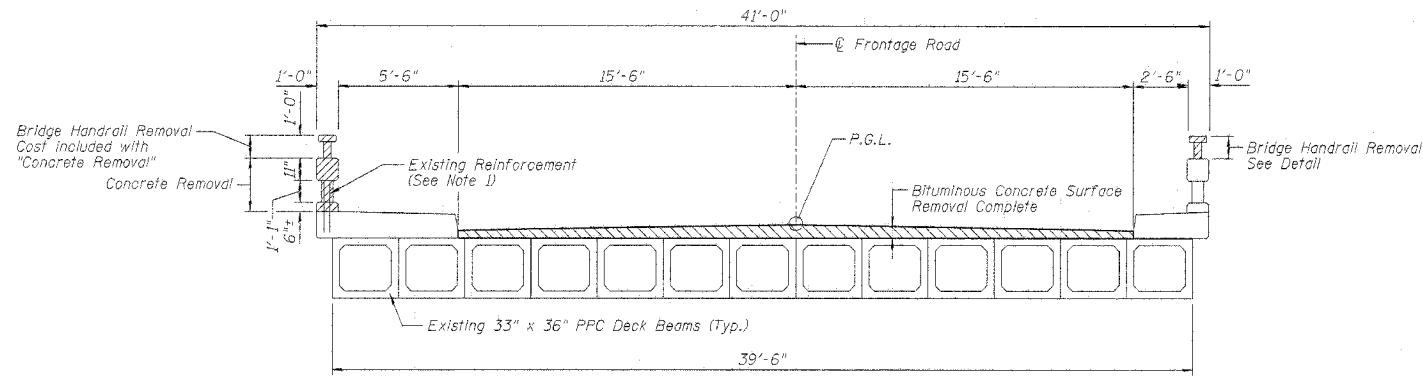


STATE OF ILLINOIS  
DEPARTMENT OF TRANSPORTATION

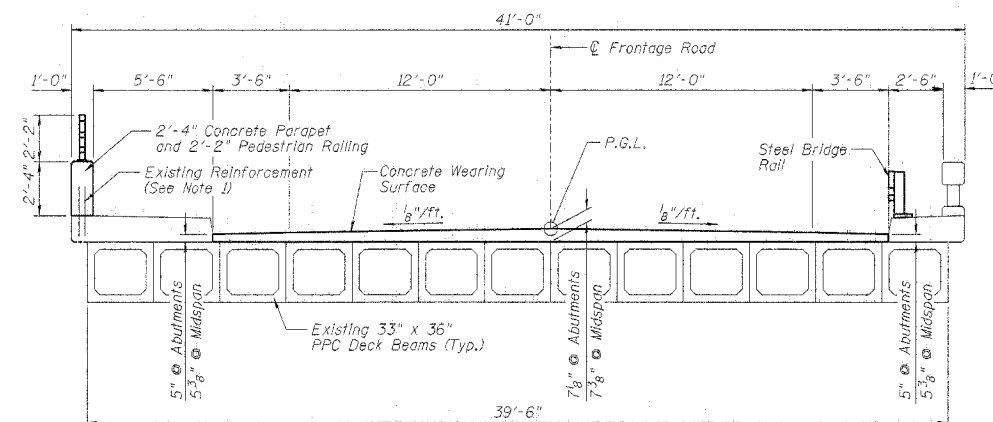
ROUTE NO.	SECTION	COUNTY	SHEET NO.	SHEET
F. A. P. 305	4	COOK	72	48

SHEET NO. 2  
7 SHEETS

\*2004-108 BR Contract No. 62853



**EXISTING CROSS SECTION**  
(Looking North)



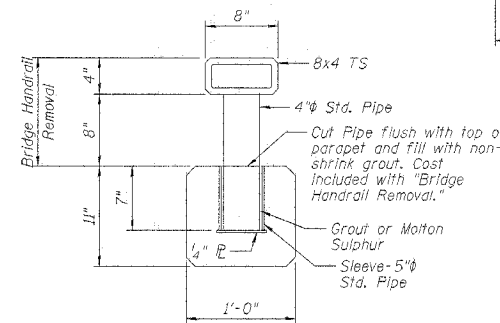
**PROPOSED CROSS SECTION**  
(Looking North)

**LEGEND**

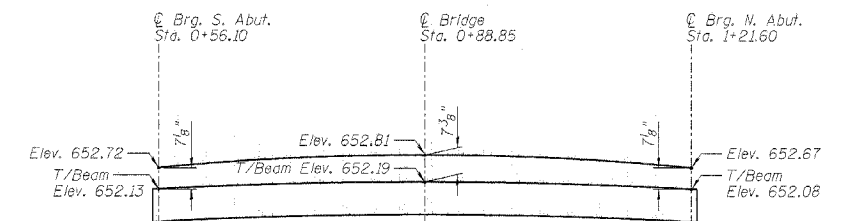
- Concrete Removal (Unless Noted Otherwise)
- Bituminous Concrete Surface Removal Complete

**Note:**

Existing Reinforcement extending into removed areas shall be blast cleaned, straightened and incorporated into new construction. Cost included with "Concrete Removal". Any reinforcement bars that are damaged during concrete removal shall be replaced with an approved bar splicer or anchorage system. Cost included with "Concrete Removal".

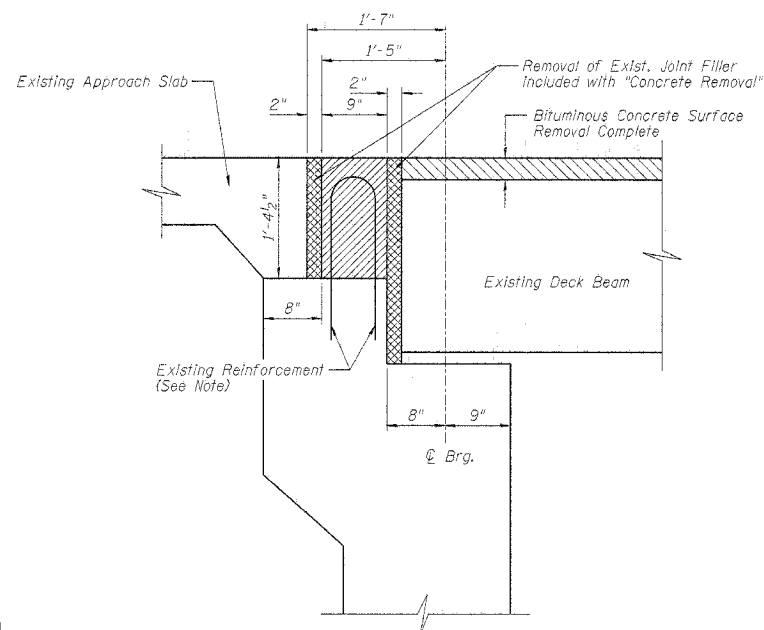


**BRIDGE HANDRAIL REMOVAL DETAIL**

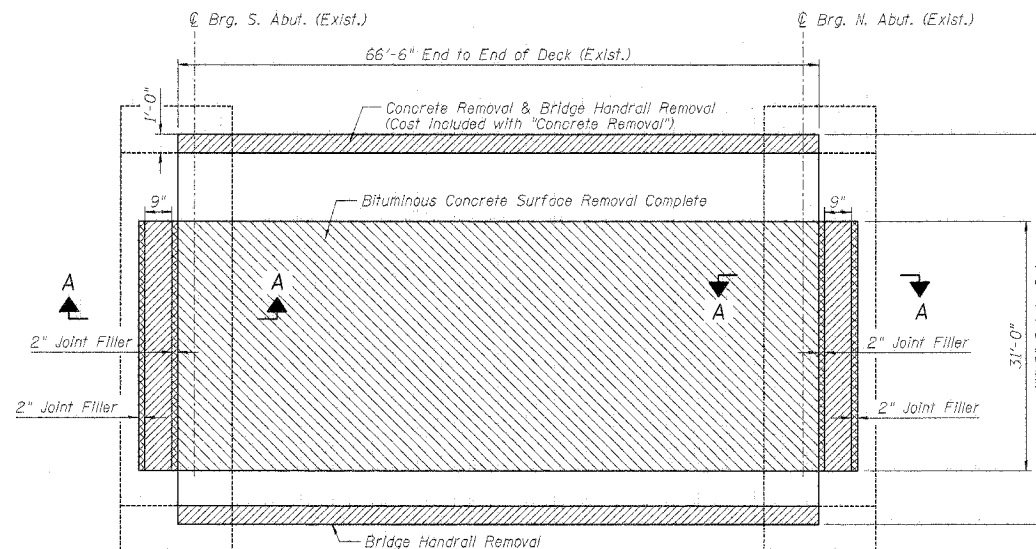


**OVERLAY PROFILE**

(Along Frontage Rd.)  
(Beam elevation at midspan derived from survey data)



**SECTION A-A THROUGH EXISTING ABUTMENT**



**CONCRETE REMOVAL PLAN**

**BILL OF MATERIAL**

ITEM	UNIT	QUANTITY
Bituminous Concrete Surface Removal Complete	Sq Yd	230
Concrete Removal	Cu Yd	6.3
Bridge Handrail Removal	Foot	66

**CROSS SECTION AND LIMITS OF REMOVAL  
EAST FRONTAGE ROAD OVER PALATINE ROAD  
FAP 305/PALATINE ROAD  
SECTION 2004-108 BR  
COOK COUNTY  
STA. 0+88.85  
STRUCTURE NO. 016-2529**

BRANCO & ZROKA ENGINEERING, P.C.

DESIGNED	LAS
CHECKED	DAZ
DRAWN	SAW
CHECKED	LAS

February 2005