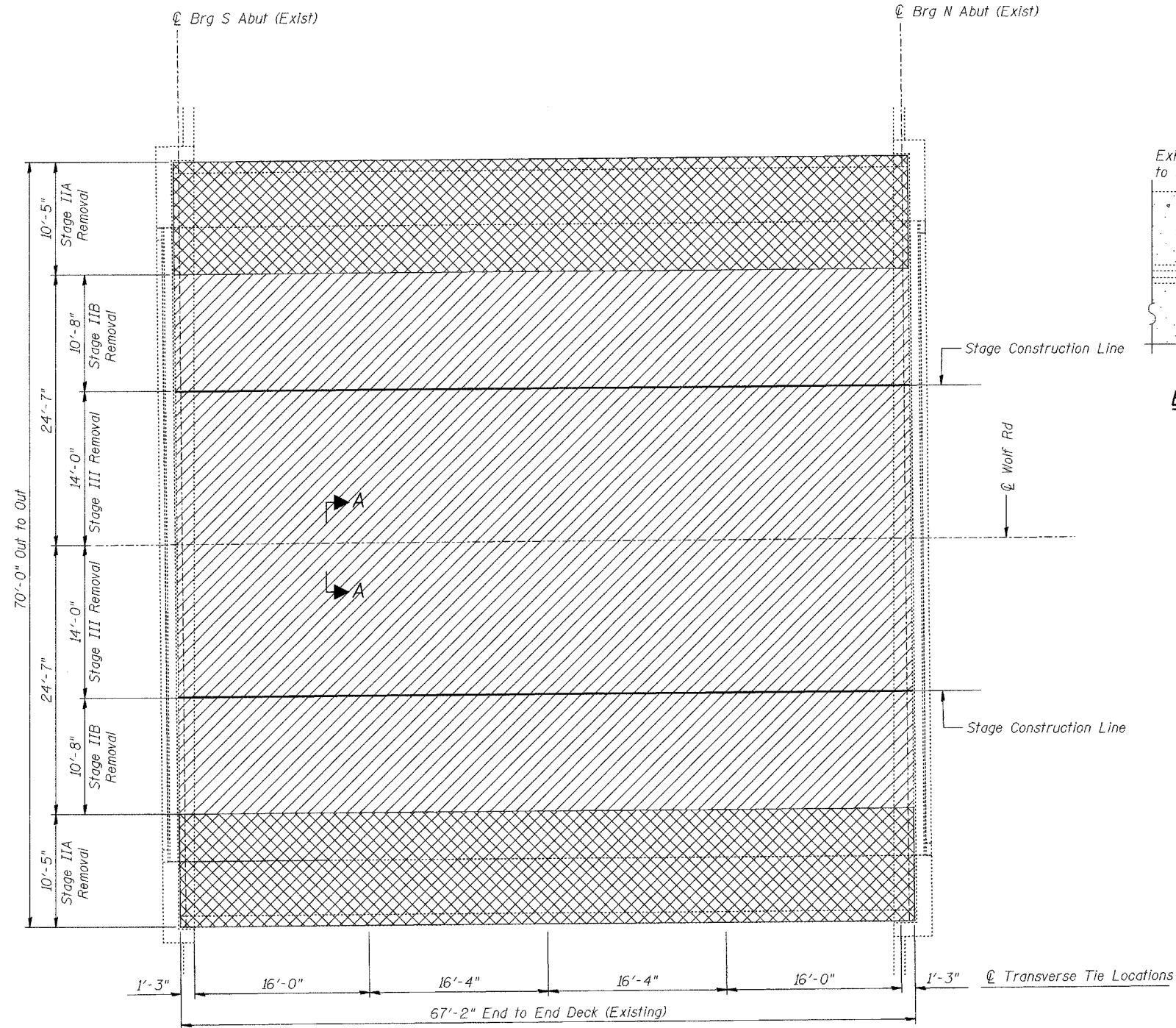
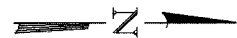
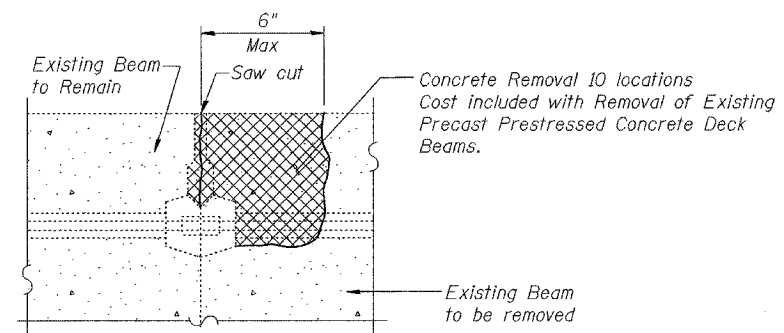


STATE OF ILLINOIS
DEPARTMENT OF TRANSPORTATION

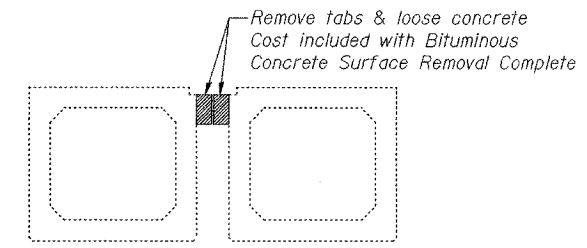
ROUTE NO.	SECTION	COUNTY	TOTAL SHEETS	SHEET NO.	SHEET NO. 4 14 SHEETS
FAP 305	*	Cook	72	62	
FED. ROAD DIST. NO. 7		ILLINOIS		FED. AID PROJECT	
				Contract No. 62853 *2004-108 BR	



CONCRETE REMOVAL PLAN



BEAM REMOVAL DETAIL AT TRANSVERSE TIES



SECTION A-A THROUGH LONGITUDINAL JOINT

Note:

- Existing Reinforcement extending into removed areas shall be blast cleaned, straightened and incorporated into new construction. Cost included with "Concrete Removal". Any reinforcement bars that are damaged during concrete removal shall be replaced with an approved bar splicer or anchorage system. Cost included with "Concrete Removal".
- Bituminous & Concrete removal located on top of deck beams being replaced shall be included in cost of "Removal of Existing PPC Deck Beams"
- See Electrical Drawings for removal of existing conduit attached to the East side of the bridge and the electrical box on the sidewalk at the South West corner of the bridge.

BILL OF MATERIAL

ITEM	UNIT	QUANTITY
Bituminous Concrete Surface Removal Complete	Sq Yd	367
Removal of Existing Precast Prestressed Concrete Deck Beams	Sq Ft	1,210

LEGEND

- Bituminous Concrete Surface Removal (Complete)
- Bituminous & Concrete Removal (Cost Included with Removal of Existing PPC Deck Beams)

DESIGNED	BPS
CHECKED	KFA
DRAWN	BPS
CHECKED	GSP

**SUPERSTRUCTURE REMOVAL
WOLF RD. OVER PALATINE RD.
F.A.P. RTE. 305 SECT. 2004-108 BR
COOK COUNTY
STATION 950+00.00
STRUCTURE NO. 016-0680**