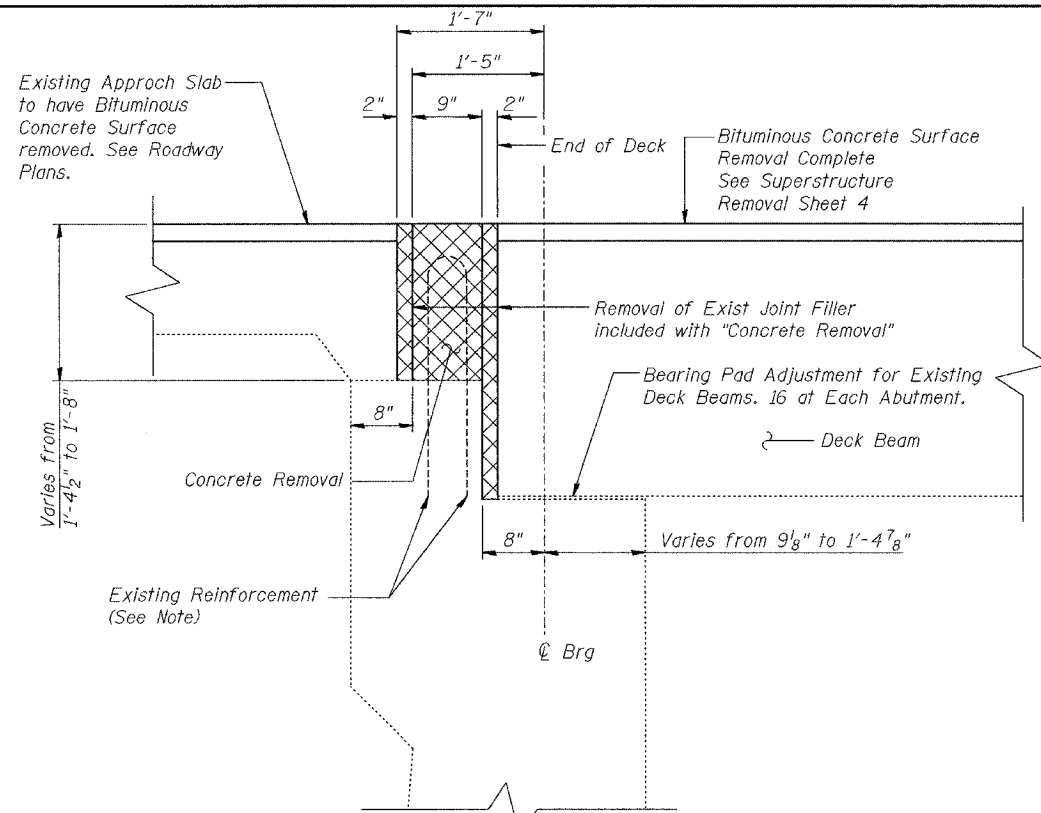
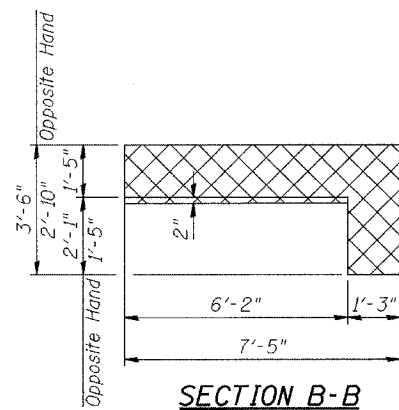


STATE OF ILLINOIS
DEPARTMENT OF TRANSPORTATION

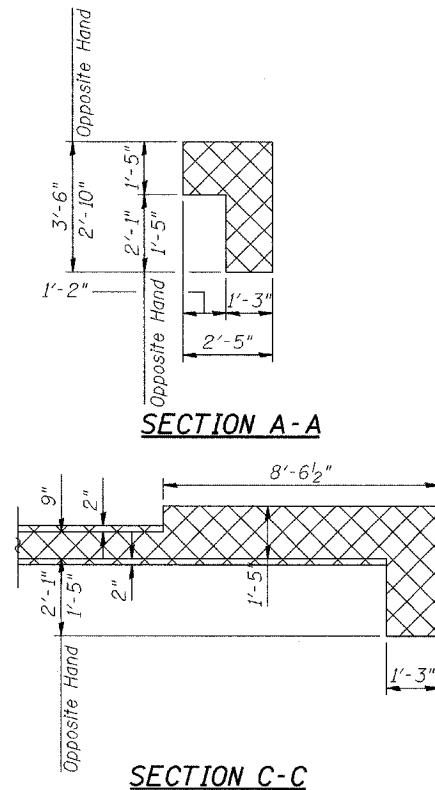
ROUTE NO.	SECTION	COUNTY	SHEET NO.	SHEET NO.
FAP 305	*	Cook	72	70
FED. AID DIST. NO. 7		ILLINOIS FED. AID PROJECT-		
Contract No. 62853		*2004-108 BR		



SECTION D-D THROUGH EXISTING ABUTMENT



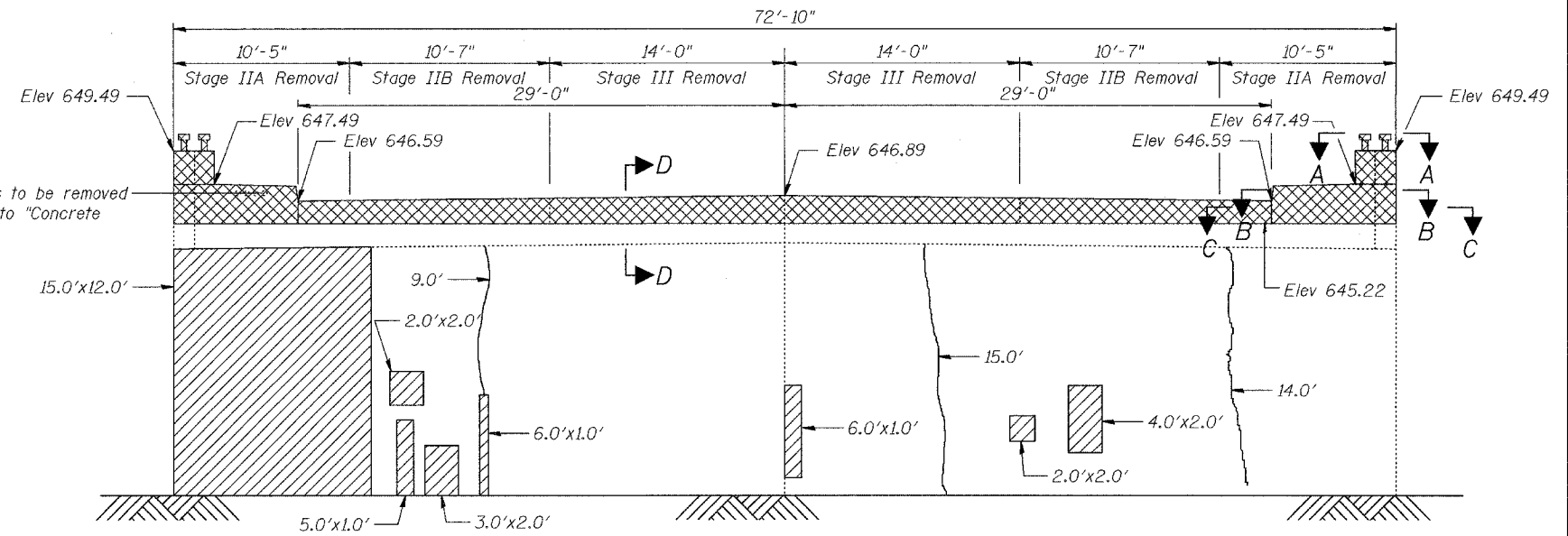
SECTION B-B



SECTION A-A

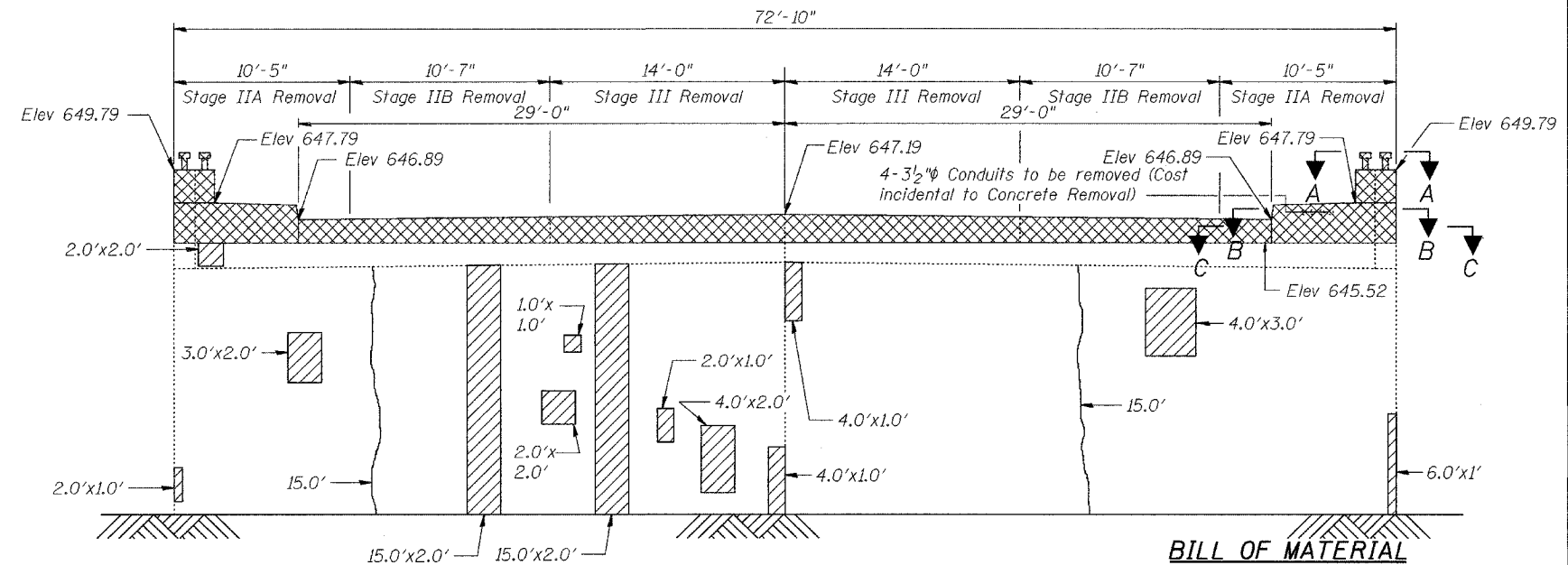
SECTION C-C

DESIGNED	BPS
CHECKED	KFA
DRAWN	BPS
CHECKED	GSP



NORTH ABUTMENT ELEVATION

(Looking North)



SOUTH ABUTMENT ELEVATION

(Looking South)

NOTES

1. Repair areas shown are the areas of deterioration based on visual inspection dated 10/25/04. The actual area to be repaired shall be as directed by the Engineer.
2. Variations in the quantities shall not be cause for additional compensation, however the Contractor will be paid for the quantity actually furnished at the unit price bid for the work.
3. Existing Reinforcement extending into removed areas shall be blast cleaned, straightened and incorporated into new construction. Cost included with "Concrete Removal". Any reinforcement bars that are damaged during concrete removal shall be replaced with an approved bar splicer or anchorage system. Cost included with "Concrete Removal".

LEGEND

- Area to be Removed
- Area Requiring Formed Concrete Repair
- Length Requiring Epoxy Crack Sealing

BILL OF MATERIAL

Item	Unit	Quantity
Concrete Removal	Cu Yd	11.0
Formed Concrete Repair (Depth Equal to or Less than 5")	Sq Ft	500
Epoxy Crack Sealing	Foot	110
Bearing Pad Adjustment	Each	32
Formed Concrete Repair (Depth Greater Than 5")	Sq. Ft.	150

ABUTMENT REMOVAL AND REPAIR
WOLF RD. OVER PALATINE RD.
F.A.P. RTE. 305 SECT. 2004-108 BR
COOK COUNTY
STATION
STRUCTURE NO. 016-0680