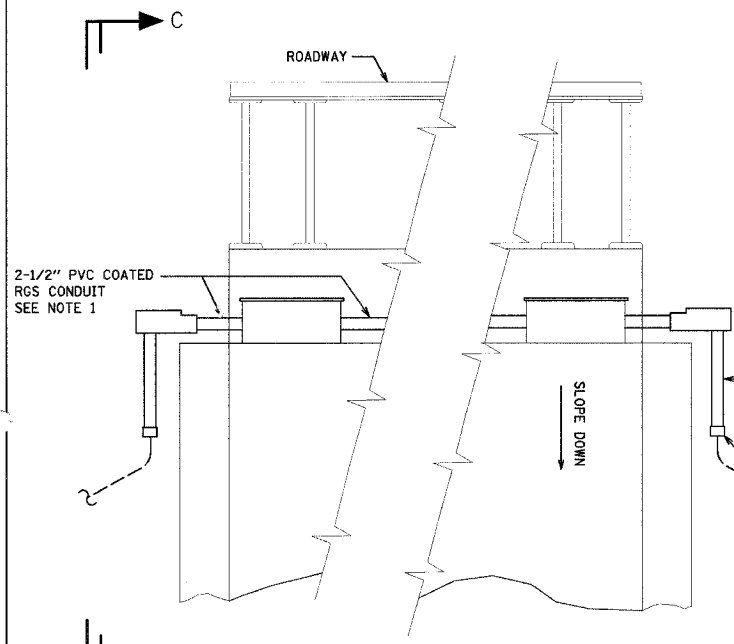
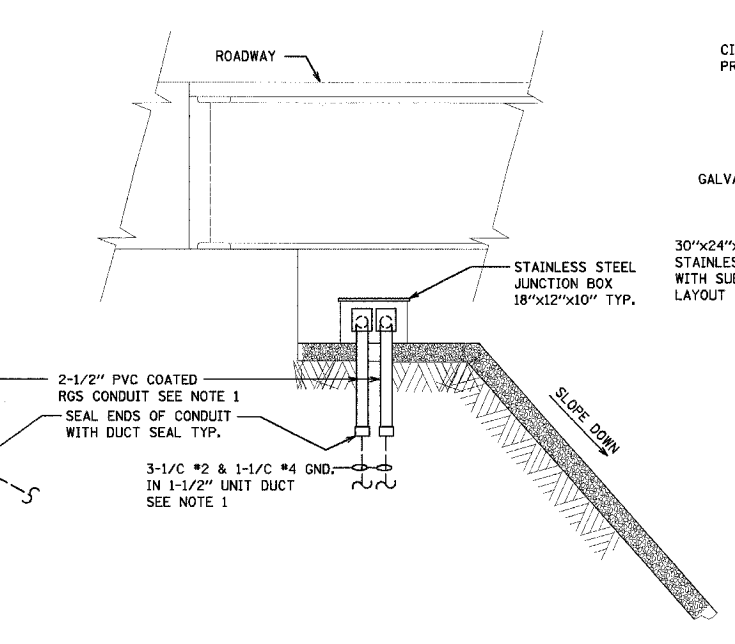


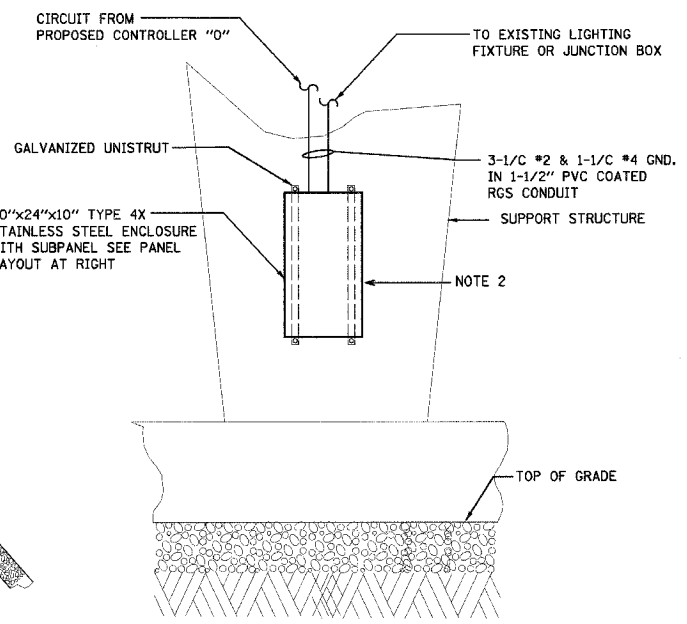
F.A. RTE.	SECTION	COUNTY	TOTAL SHEETS	SHEET NO.
290	0305-302K-3	COOK	55	30
STA.	TO STA.			
FED. ROAD DIST. NO.	ILLINOIS FED. AID PROJECT			



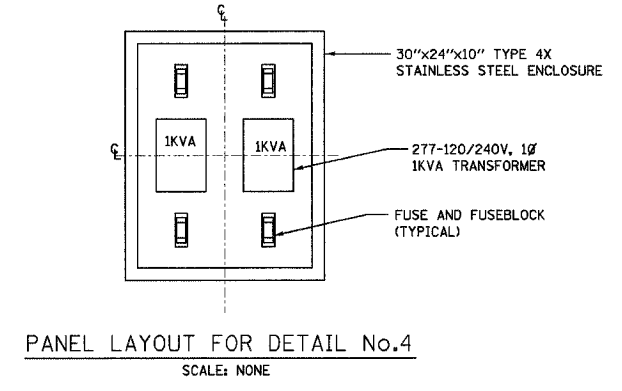
DETAIL NO.3
TYPICAL CONDUIT ROUTING AT UNDERPASS
SCALE: NONE



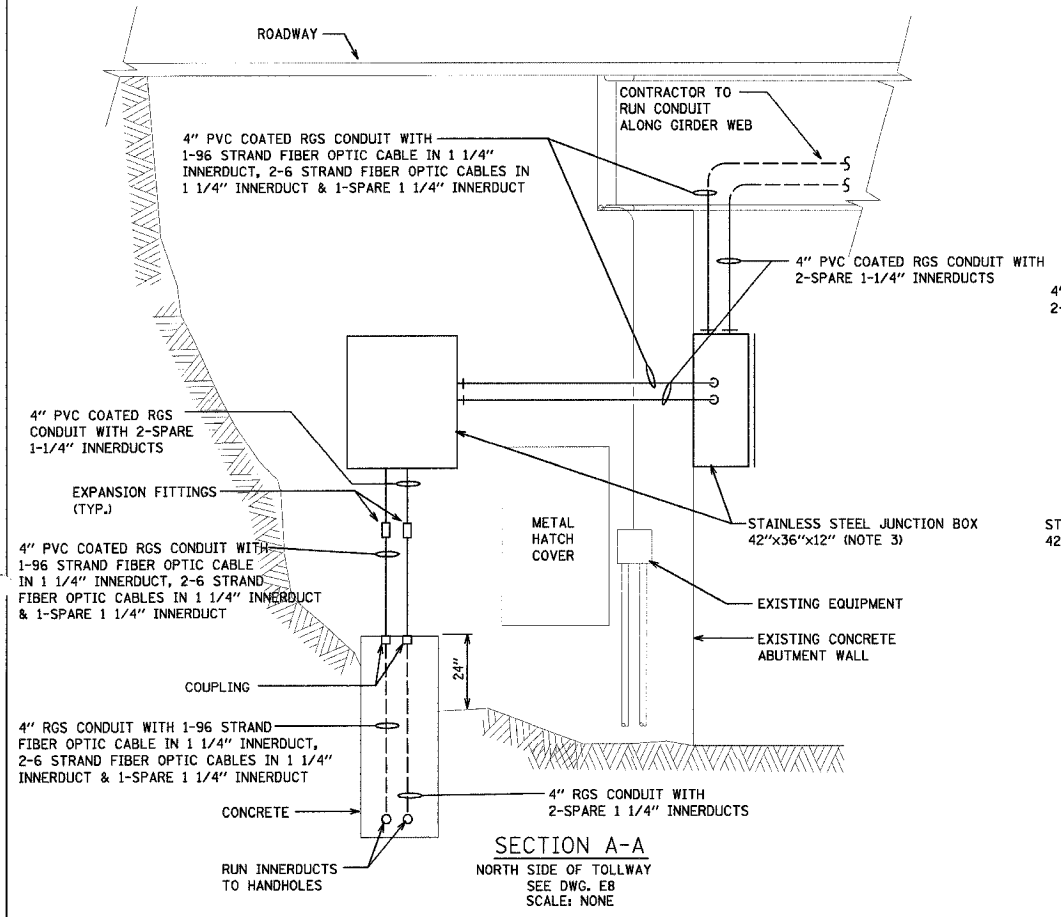
SECTION C-C
SCALE: NONE



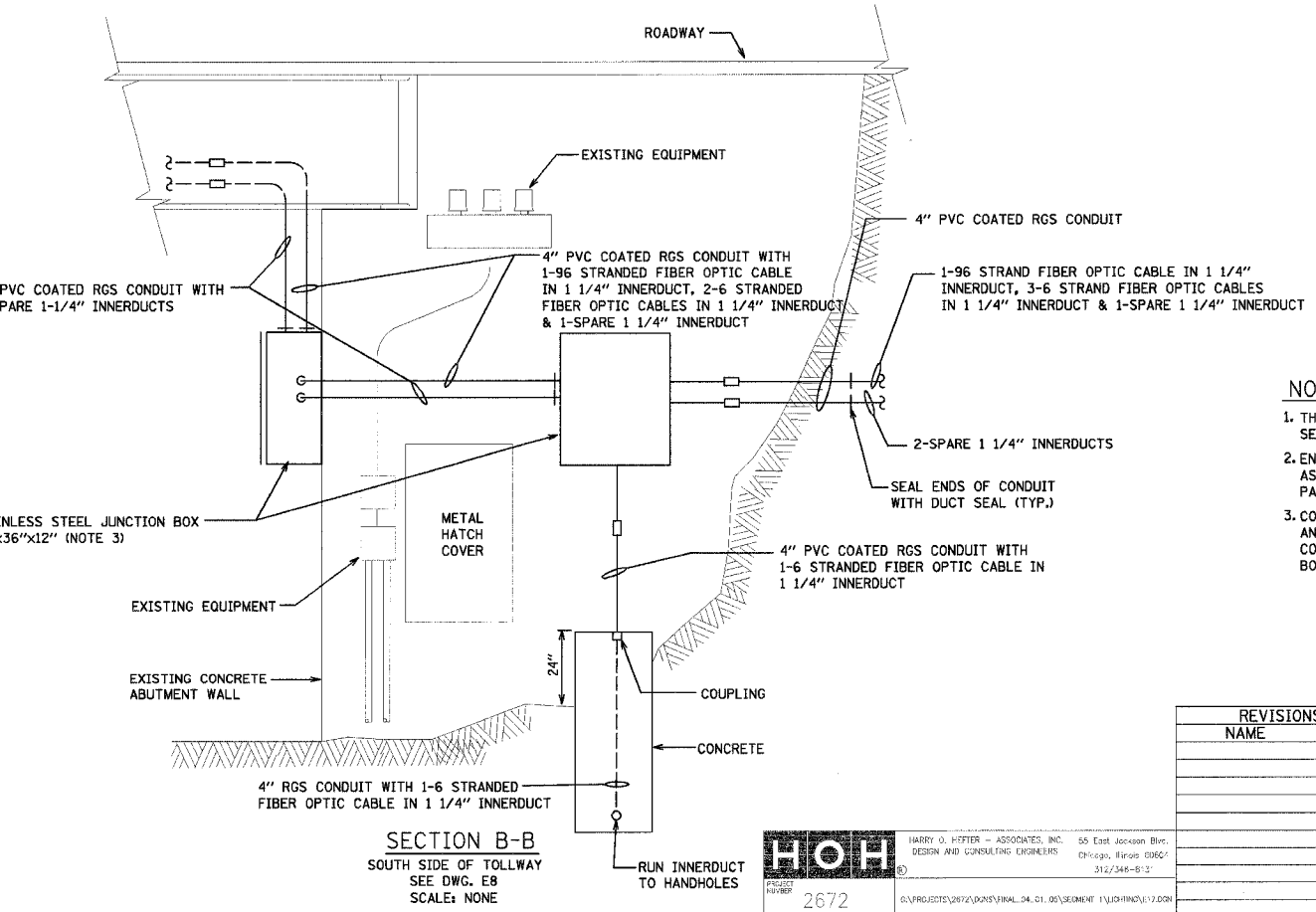
DETAIL 4
PULLBOX AND TRANSFORMER
MOUNTING AT WOODFIELD RD. DWG. E4
SCALE: NONE



PANEL LAYOUT FOR DETAIL NO.4
SCALE: NONE



SECTION A-A
NORTH SIDE OF TOLLWAY
SEE DWG. E8
SCALE: NONE



SECTION B-B
SOUTH SIDE OF TOLLWAY
SEE DWG. E8
SCALE: NONE

- NOTES:**
1. THE WIRE GAUGE, AMOUNT AND SIZE OF CONDUIT VARIES SEE PLAN DWG. E1, E2, E6 AND E10 FOR SPECIFICS.
 2. ENCLOSURE, 1 1/2" PVC COATED RGS CONDUIT, AND ALL OTHER ASSOCIATED MATERIAL AND LABOR, SHALL BE INCLUDED AS PART OF PAY ITEM, MODIFY EXISTING UNDERPASS LIGHTING-WOODFIELD RD.
 3. CONCRETE, PVC COATED RGS CONDUIT, EXPANSION FITTINGS, COUPLINGS AND ALL OTHER ASSOCIATED MATERIAL AND LABOR REQUIRED FOR A COMPLETE INSTALLATION, SHALL BE INCLUDED IN PAY ITEM, JUNCTION BOX, STAINLESS STEEL, ATTACHED TO STRUCTURE 42"x36"x12".

REVISIONS	
NAME	DATE

ILLINOIS DEPARTMENT OF TRANSPORTATION
**ILLINOIS ROUTE 53
PROPOSED LIGHTING PLAN
SECTION AND DETAILS**

SCALE: VERT. NONE
HORIZ. NONE
DATE: 2-28-2005

DRAWN BY: MEK
CHECKED BY: PBL