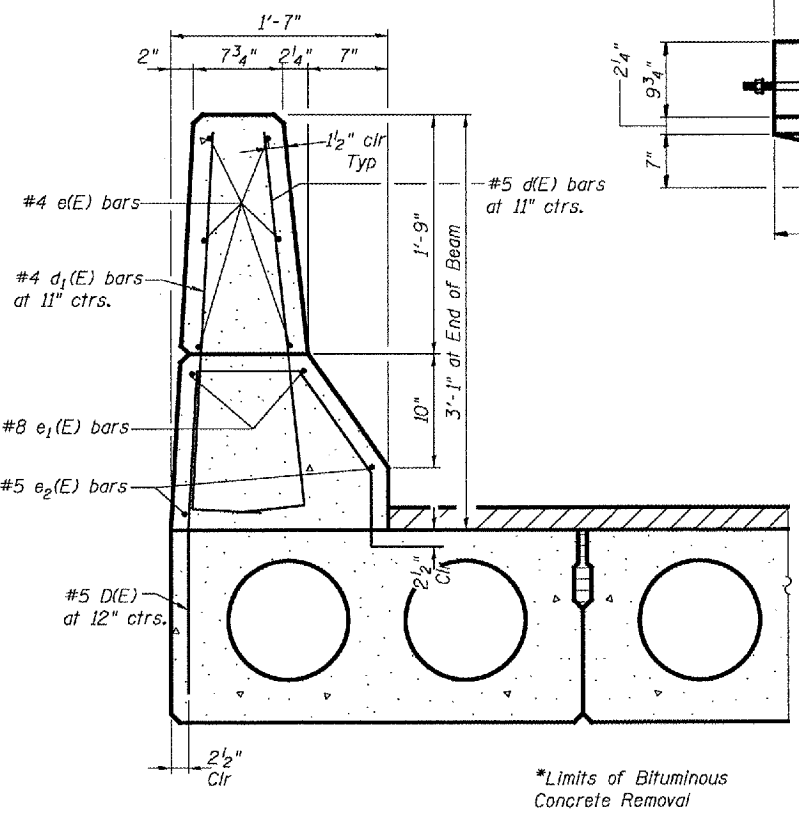
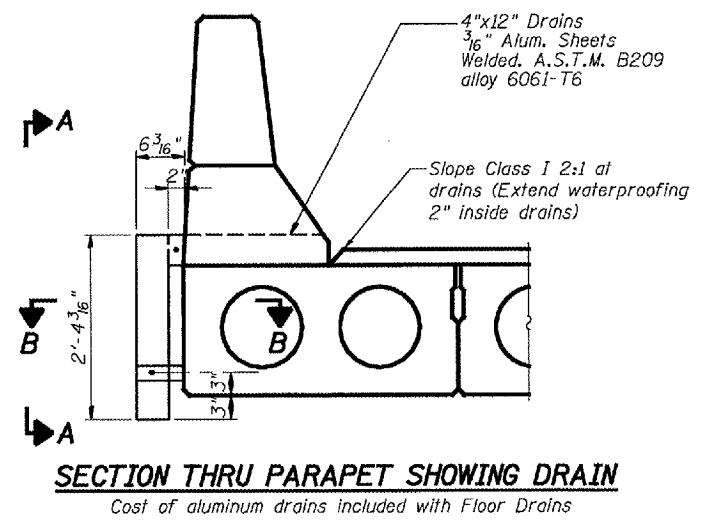
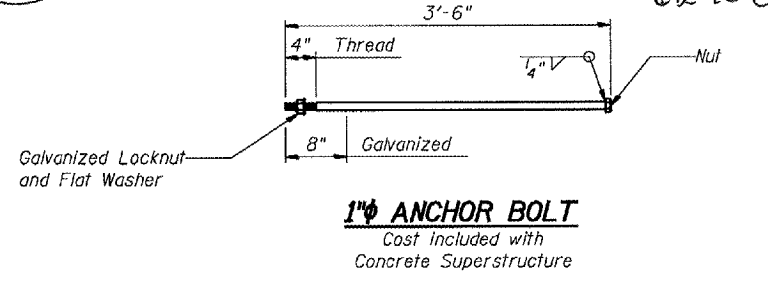
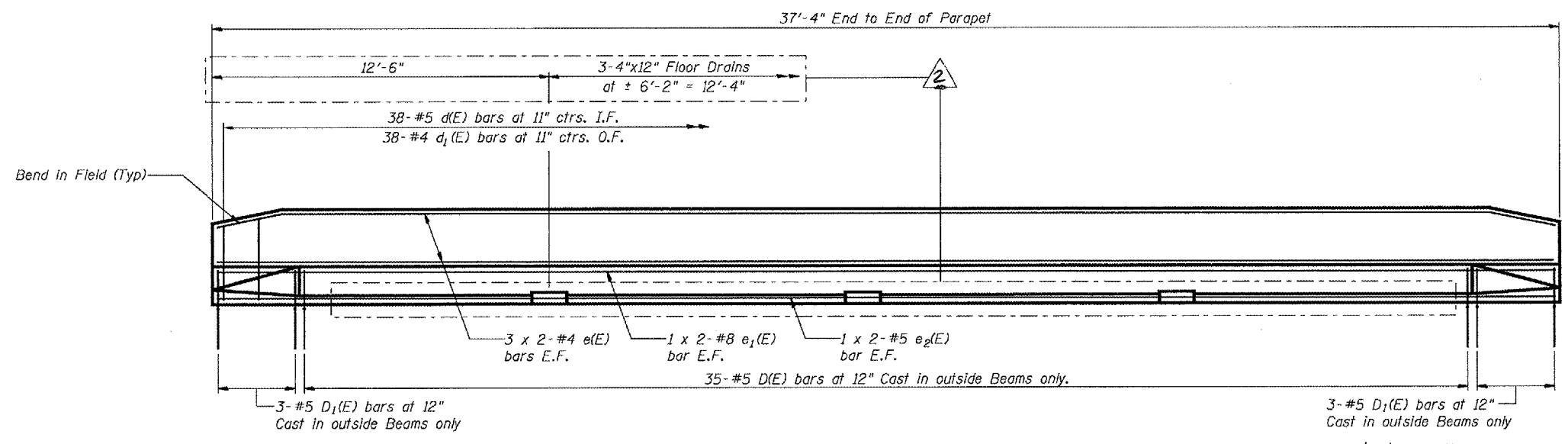


STATE OF ILLINOIS
DEPARTMENT OF TRANSPORTATION

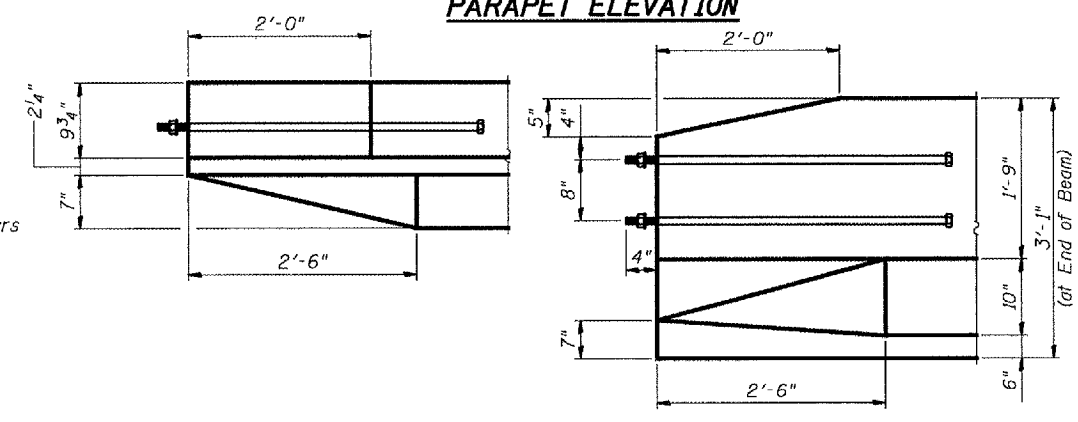
Sheet 13 is deleted.
Next sheet is 14.

ROUTE NO.	SECTION	COUNTY	TOTAL SHEETS	SHEET NO.
		Will	14	12
FED. ROAD DIST. NO. 7	ILLINOIS	FED. AID PROJECT		

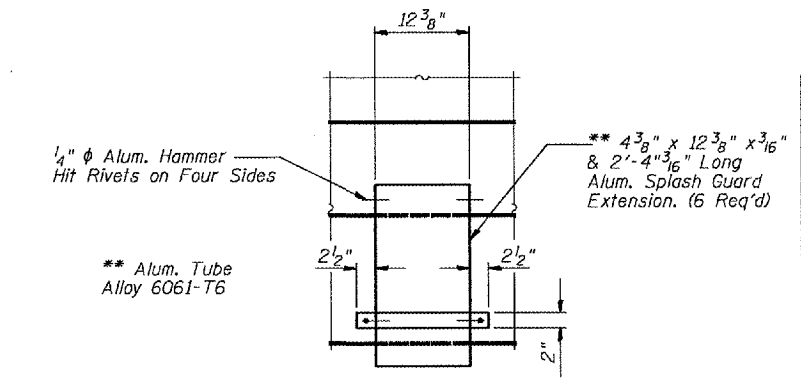
SHEET NO. 3
3 SHEETS
62900



PARAPET ELEVATION

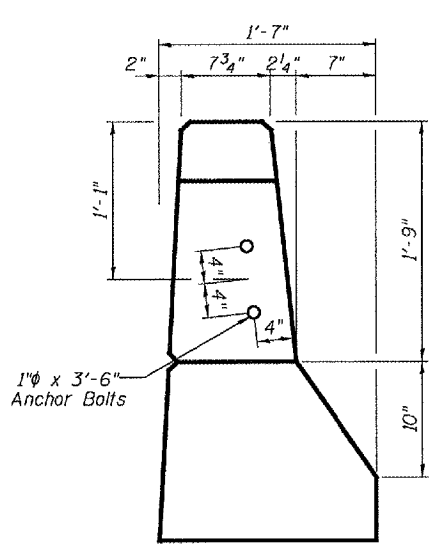


SECTION B-B

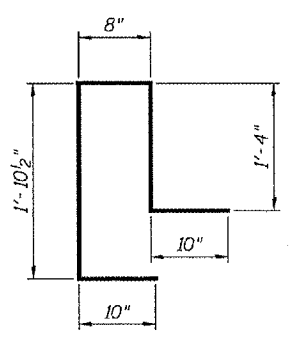


SECTION A-A

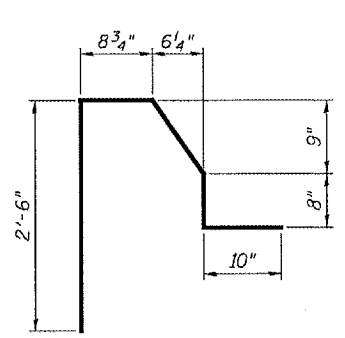
PARAPET END DETAILS



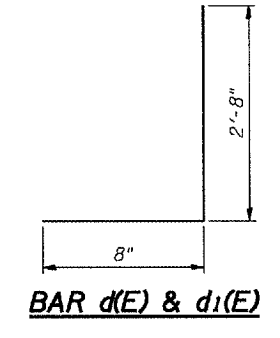
PARAPET END VIEW



BAR D₁(E)



BAR D(E)



BAR d₁(E) & d₁(E)

BILL OF MATERIAL

Bar	No.	Size	Length	Shape
d ₁ (E)	76	#5	3'-4"	J
d ₁ (E)	76	#4	3'-4"	J
e ₁ (E)	24	#4	19'-6"	
e ₁ (E)	8	#8	20'-11"	
e ₂ (E)	8	#5	19'-9"	
Reinforcement Bars Epoxy Coated		Pound	1360	
Concrete Superstructure		Cu. Yd.	8.5	
Concrete Removal		Cu. Yd.	8.5	

All Bars Designated (E) Shall be Epoxy Coated.

Min. Bar Laps

- #4 = 1'-8"
- #5 = 2'-2"
- #8 = 4'-6"

PARAPET DETAILS
F.A. RT. 124
WILL COUNTY
SN.099-0119

DESIGNED	V.H.V.	EXAMINED	John A. Morris ENGINEER OF STRUCTURAL SERVICES
CHECKED	M.J.T.	PASSED	Ralph E. Anderson ENGINEER OF BRIDGES AND STRUCTURES
DRAWN	Drew Christopher		
CHECKED	V.H.V. M.J.T.		

May 5, 2005