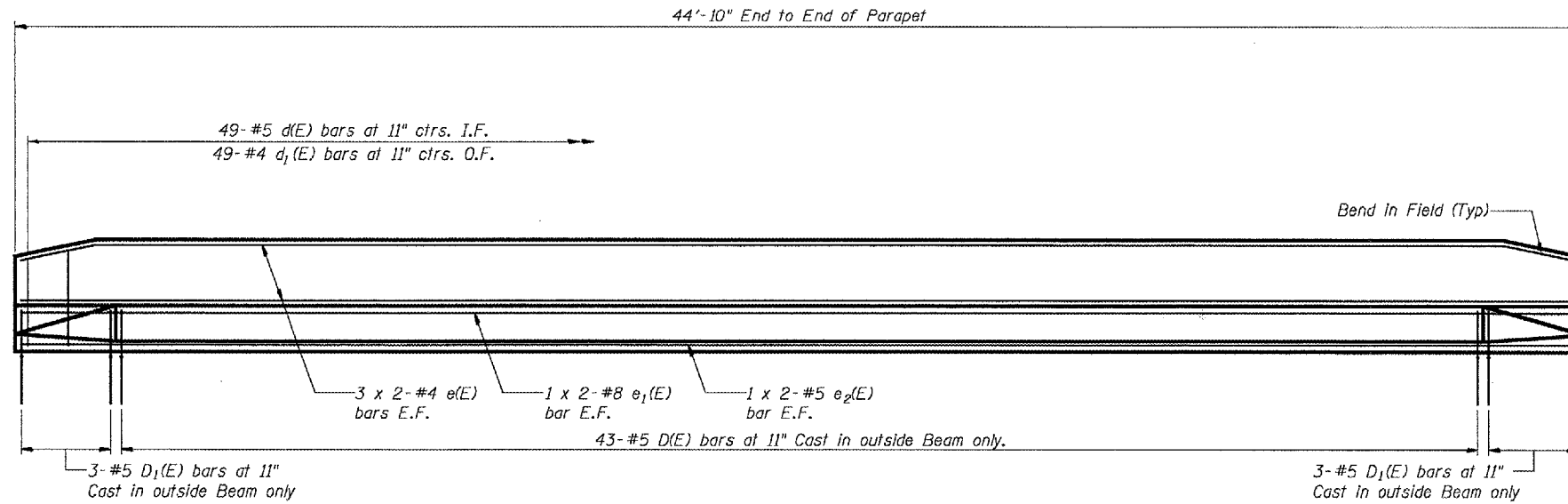


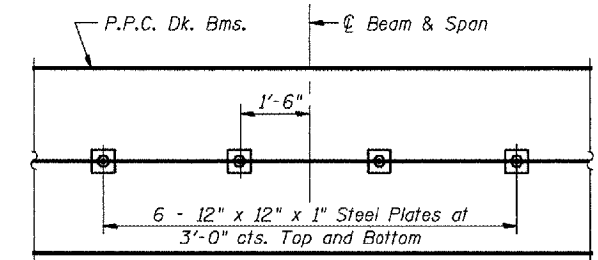
STATE OF ILLINOIS
DEPARTMENT OF TRANSPORTATION

ROUTE NO.	SECTION	COUNTY	TOTAL SHEETS	SHEET NO.	SHEET NO. 3 3 SHEETS
		Will	14	9	
FED. ROAD DIST. NO. 7	PLANNO	FED. AID PROJECT			

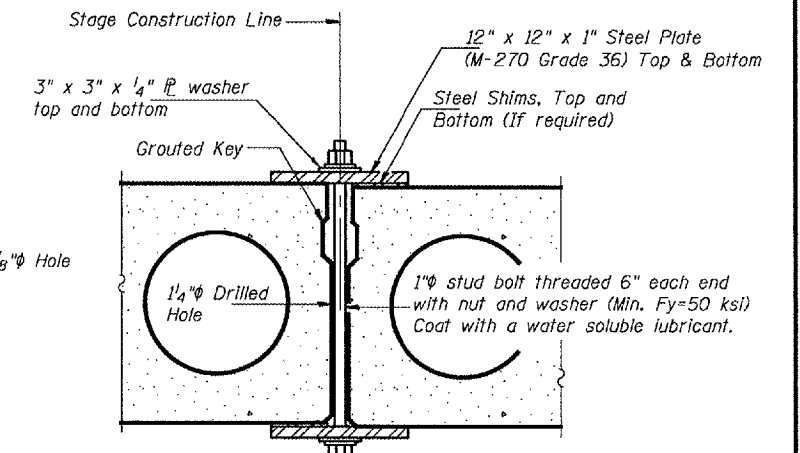
62900



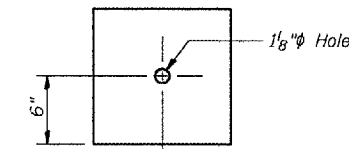
PARAPET ELEVATION



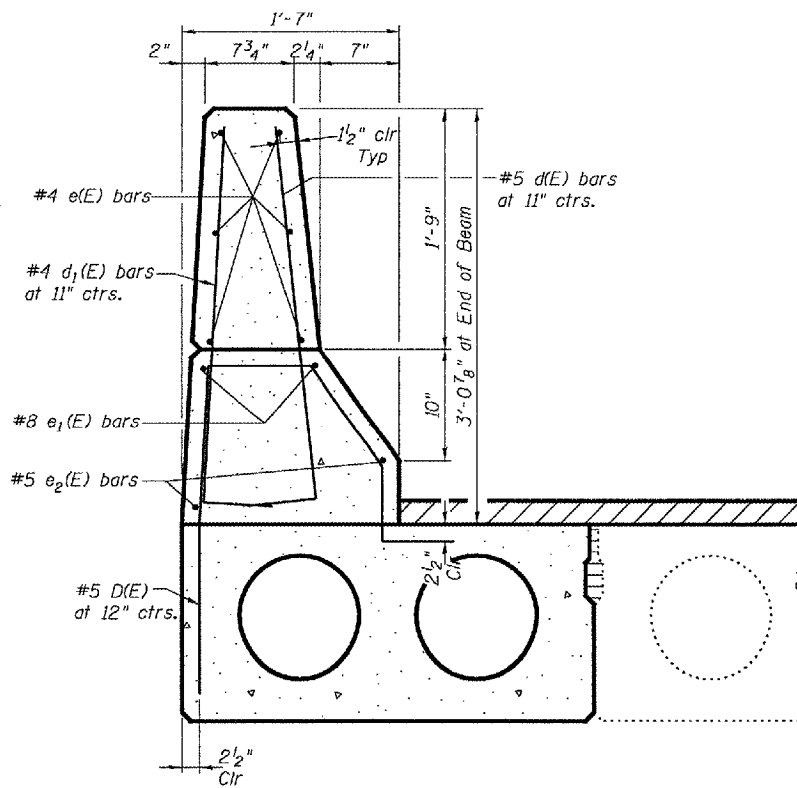
PLAN



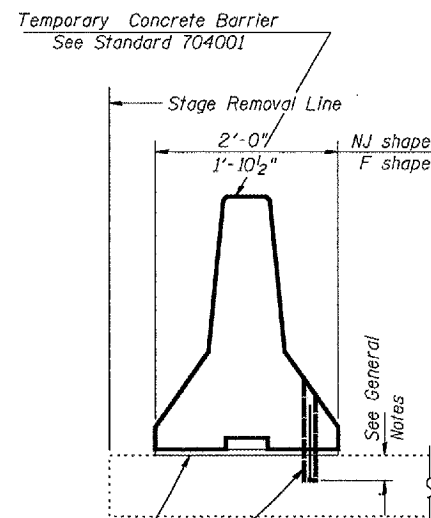
SECTION



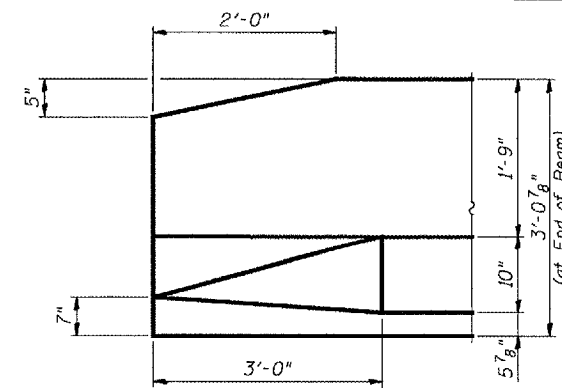
CLAMPING PLATE



SECTION THRU PARAPET

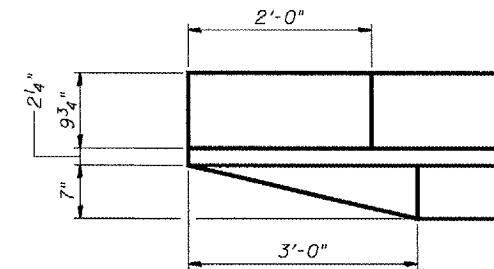


TEMPORARY CONCRETE BARRIER



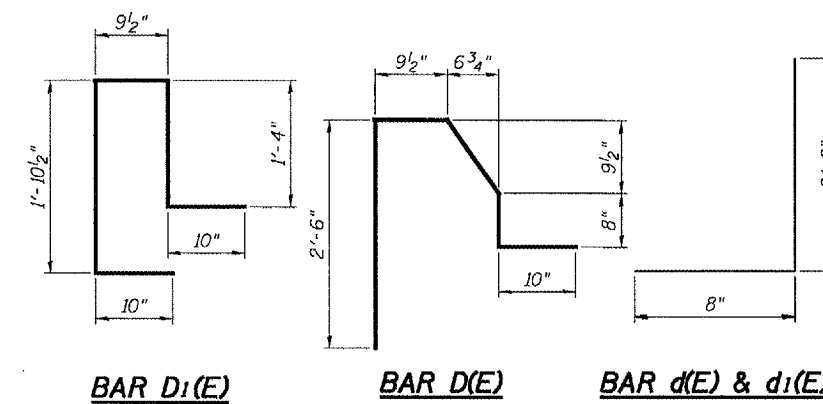
PARAPET END DETAILS

Notes:
See Special Provisions for Stage Construction
Precast Prestressed Concrete Deck Beams.
Cost is included with Precast Prestressed
Concrete Deck Beams.



Styrofoam Pads (NJ Shape only) See Standard T04001

Drill 1/4" ϕ Holes in existing overlay for 1" ϕ x 10" dowel bars. Traffic side only. Cost included with Temporary Concrete Barrier.



BAR D1(E)

BAR D(E)

BAR d(E) & d1(E)

BILL OF MATERIAL

Bar	No.	Size	Length	Shape
d(E)	49	#5	3'-4"	—
d1(E)	49	#4	3'-4"	—
e(E)	12	#4	23'-3"	—
e1(E)	4	#8	24'-8"	—
e2(E)	4	#5	23'-6"	—
Reinforcement Bars Epoxy Coated		Pound	830	
Concrete Superstructure		Cu. Yd.	5.1	
Concrete Removal		Cu. Yd.	5.1	

All Bars Designated (E) Shall be Epoxy Coated.

Min. Bar Laps

- #4 = 1'-8"
- #5 = 2'-2"
- #8 = 4'-6"

**PARAPET, CONCRETE BARRIER AND STAGE DETAILS
US 45 OVER NORTH
BRANCH PRAIRIE CREEK
WILL COUNTY
SN.099-0118**

DESIGNED	V.H.V.
CHECKED	P.S.J.
DRAWN	Drew Christopher
CHECKED	V.H.V. P.S.J.

EXAMINED	John A. Morris ENGINEER OF STRUCTURAL SERVICES
PASSED	Ralph E. Anderson ENGINEER OF BRIDGES AND STRUCTURES

May 5, 2005

See Roadway Plans for quantity