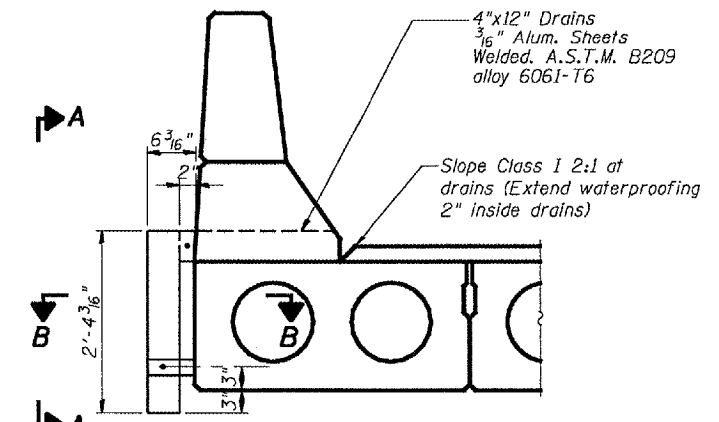
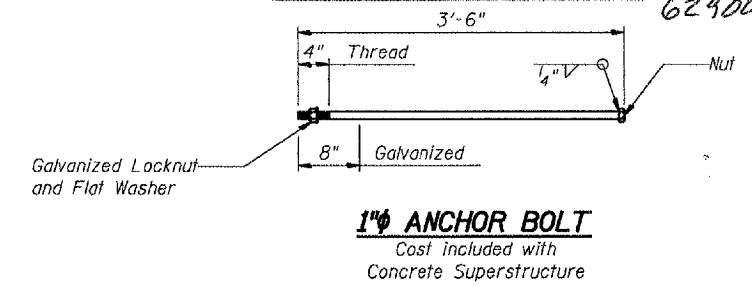
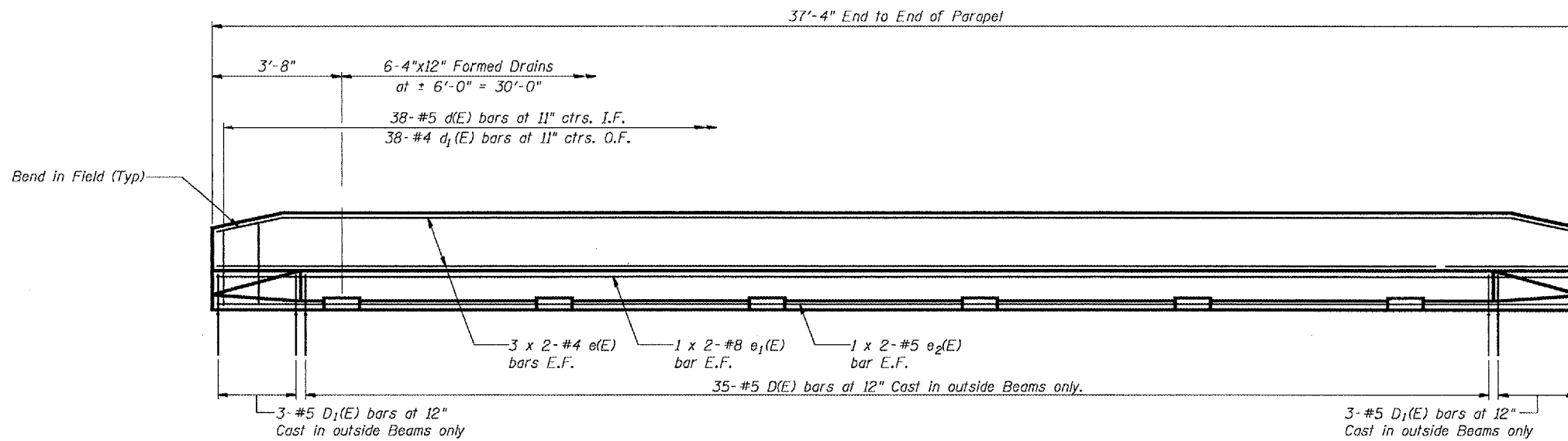
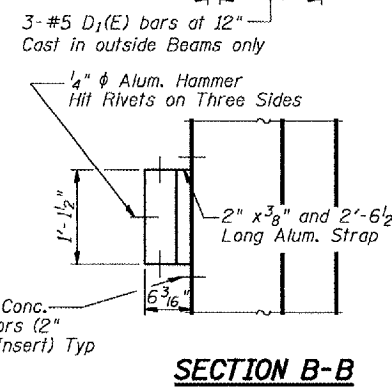


STATE OF ILLINOIS
DEPARTMENT OF TRANSPORTATION

ROUTE NO.	SECTION	COUNTY	DATE SHEETS	SHEET NO.	SHEET NO. 3 3 SHEETS
		Will	14 12	62900	
FED. ROAD DIST. NO. 7	ILLINOIS	FED. AID PROJECT			

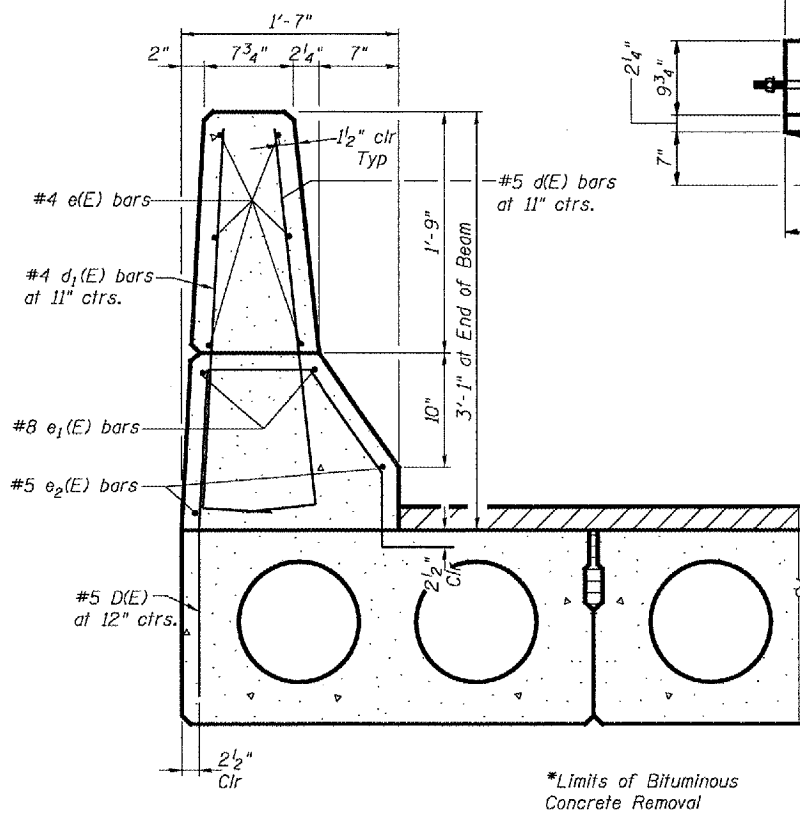


PARAPET ELEVATION



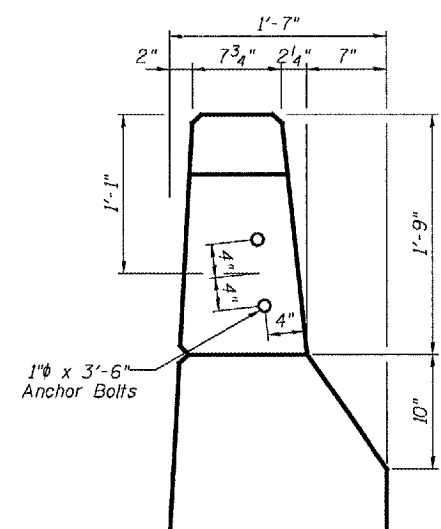
SECTION B-B

SECTION THRU PARAPET SHOWING DRAIN
Cost of aluminum drains included with Floor Drains

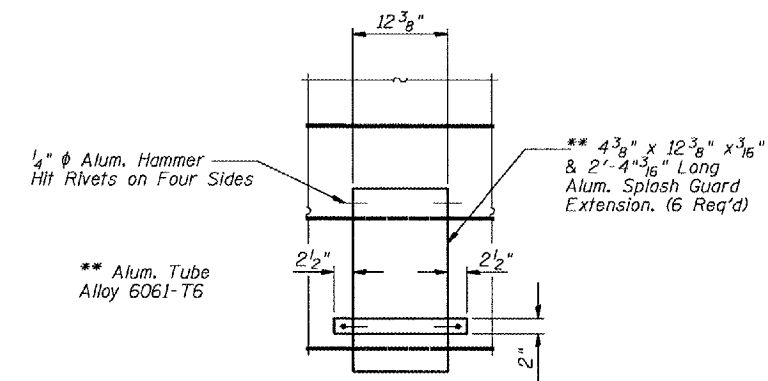


SECTION THRU PARAPET

PARAPET END DETAILS



PARAPET END VIEW



SECTION A-A

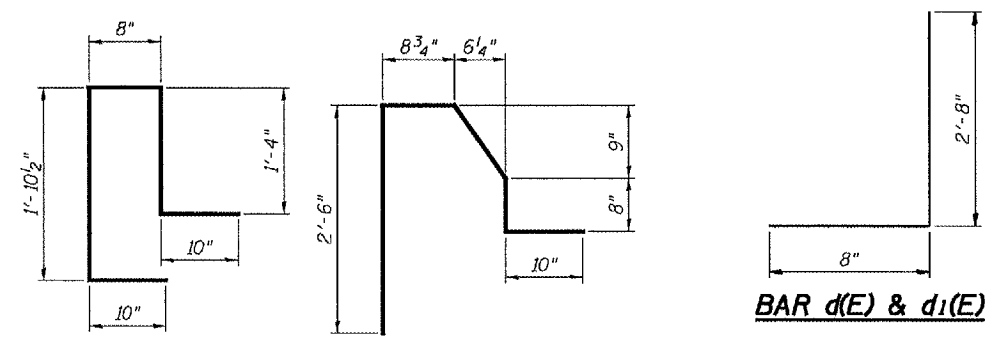
BILL OF MATERIAL

Bar	No.	Size	Length	Shape
d(E)	76	#5	3'-4"	□
d1(E)	76	#4	3'-4"	□
e(E)	24	#4	19'-6"	—
e1(E)	8	#8	20'-11"	—
e2(E)	8	#5	19'-9"	—
Reinforcement Bars Epoxy Coated			Pound	1360
Concrete Superstructure			Cu. Yd.	8.5
Concrete Removal			Cu. Yd.	8.5

All Bars Designated (E) Shall be Epoxy Coated.

Mln. Bar Laps

- #4 = 1'-8"
- #5 = 2'-2"
- #8 = 4'-6"



BAR D1(E)

BAR D(E)

BAR d(E) & d1(E)

PARAPET DETAILS
F.A. RT. 124
WILL COUNTY
SN.099-0119

DESIGNED	V.H.V.	May 5, 2005
CHECKED	M.J.T.	EXAMINED <i>John A. Morris</i> ENGINEER OF STRUCTURAL SERVICES
DRAWN	Drew Christopher	PASSED <i>Ralph E. Anderson</i> ENGINEER OF BRIDGES AND STRUCTURES
CHECKED	V.H.V. M.J.T.	