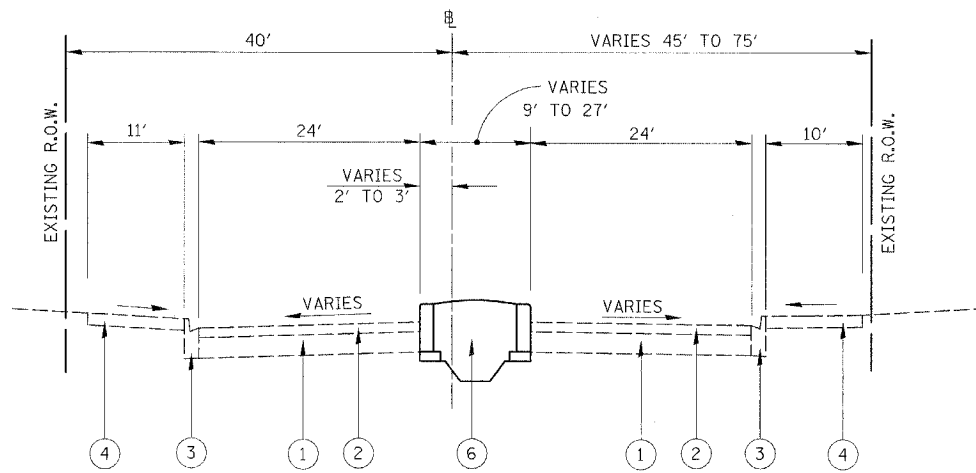
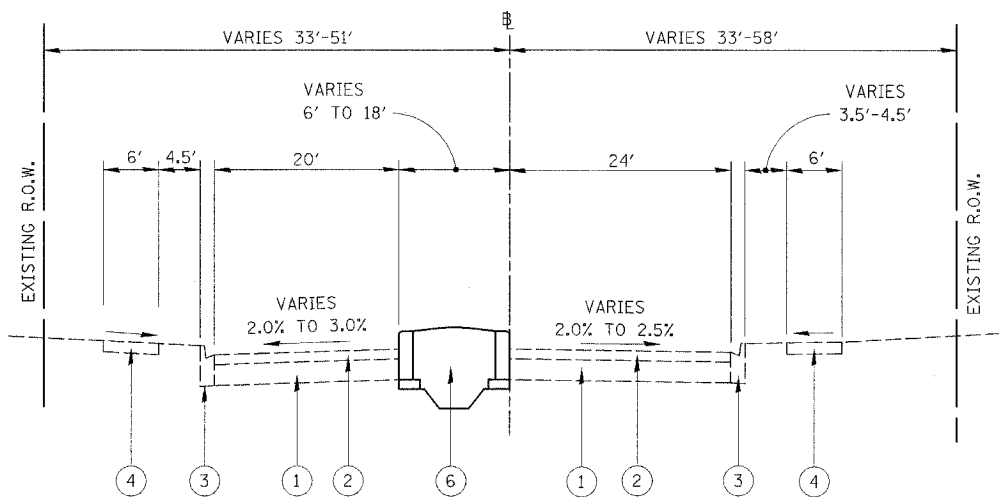


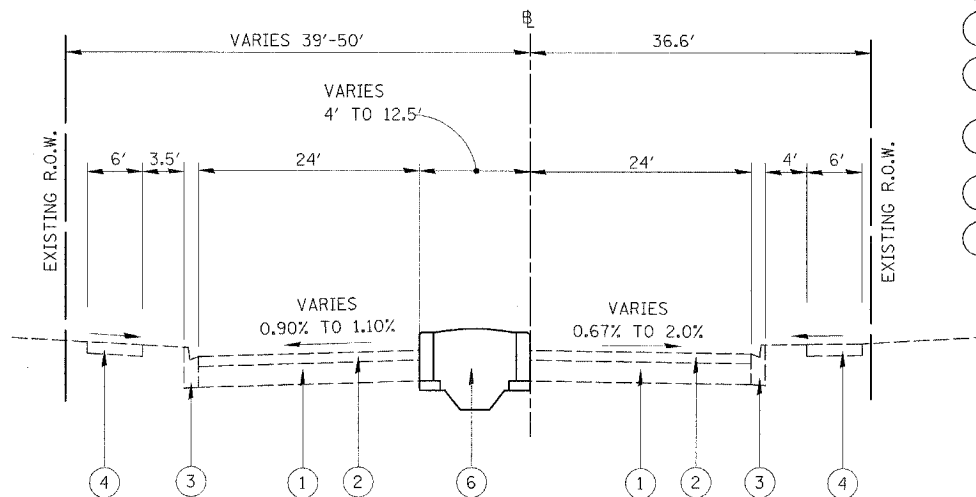
**TYPICAL CROSS SECTION-75TH STREET**  
WEST OF LAFAYETTE AVENUE



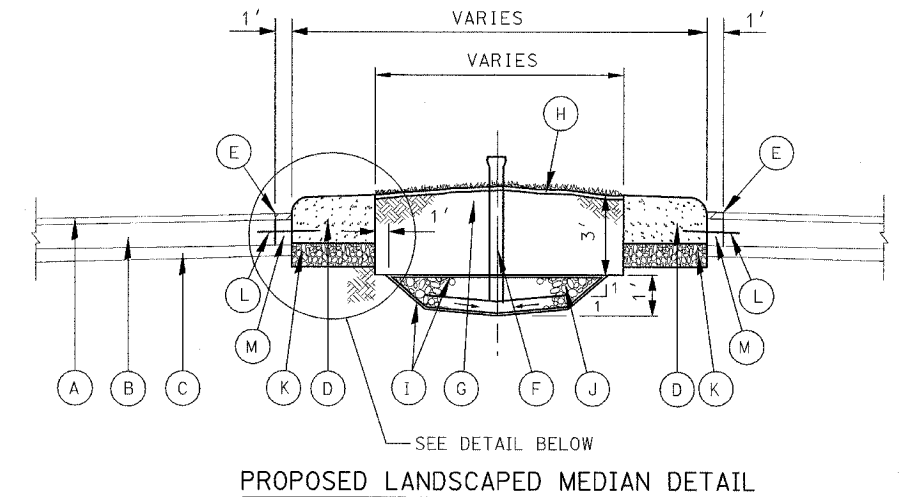
**TYPICAL CROSS SECTION-75TH STREET**  
EAST OF STATE STREET



**TYPICAL CROSS SECTION-76TH STREET**  
WEST OF LAFAYETTE AVENUE



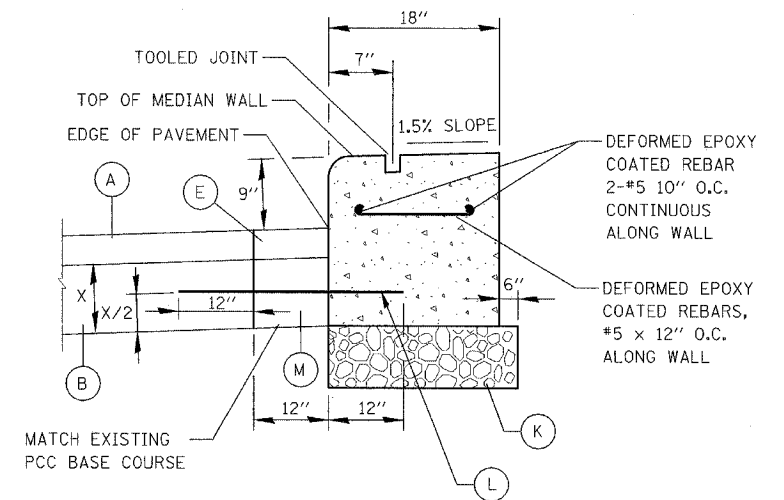
**TYPICAL CROSS SECTION-76TH STREET**  
EAST OF STATE STREET



**PROPOSED LANDSCAPED MEDIAN DETAIL**

**LEGEND**

- (A) EXISTING BITUMINOUS CONCRETE PAVEMENT, 3"±
- (B) EXISTING P.C.C. BASE COURSE, 10"±
- (C) EXISTING GRANULAR SUBBASE MATERIAL
- (D) CONCRETE MEDIAN WALL, 18 INCH WIDE (SEE NOTE 1)
- (E) BITUMINOUS CONCRETE SURFACE SUPERPAVE MIXTURE D, N70, 2" (SEE NOTE 1)
- (F) INSPECTION PIPE, 4" (SEE NOTE 4)
- (G) PLANTING MIX FURNISH AND PLACE 36"
- (H) MULCH
- (I) GEOTECHNICAL FABRIC
- (J) POROUS GRANULAR MATERIAL
- (K) SUB-BASE GRANULAR MATERIAL, TYPE B, 6" (SEE NOTE 1)
- (L) DEFORMED EPOXY COATED TIE BAR, #5 X 36" @ 30" O.C., DRILL AND GROUT INTO EXISTING PAVEMENT (INCLUDED IN COST OF CONCRETE MEDIAN WALL, 18" WIDE) (SEE NOTE 1)
- (M) P.C.C. BASE COURSE, 10-1/2 INCH (SEE NOTE 1)



**CONCRETE MEDIAN WALL, 18 INCH WIDE**

**BITUMINOUS MIXTURE REQUIREMENT**

ITEM	AC TYPE	VOIDS	RAP %
BIT. CONC. SURFACE COURSE, SUPERPAVE, MIX "D", N70	PG 64-22	4% @ 70 Gyr	10

THE UNIT WEIGHT USED TO CALCULATE ALL BITUMINOUS CONCRETE MIXTURES IS 112 LBS/SQ.YD./IN.

**NOTES:**

- CONCRETE MEDIAN WALL, BITUMINOUS SURFACE, SUB-BASE, TIE BARS AND PCC BASE SHALL BE CONSTRUCTED BY CONTRACT NO. 62695 FOR 76TH STREET MEDIANS.
- THE EXCAVATION REQUIRED FOR THE INSTALLATION OF THE PLANTING MIX, MULCH AND POROUS GRANULAR MATERIAL SHALL BE COMPLETED BY CONTRACT NO. 62695 FOR THE 76TH STREET MEDIANS.
- THE CONTRACTOR SHALL COORDINATE THE INSTALLATION OF PLANTING MIX, MULCH POROUS GRANULAR MATERIAL AND IRRIGATION SYSTEM FOR THE 76TH STREET MEDIAN WITH CONTRACT NO. 62695.
- FOR INSPECTION PIPE DETAIL SEE CONSTRUCTION DETAILS.

**LEGEND**

- (1) EXISTING CONCRETE BASE COURSE, ± 10"
- (2) EXISTING BITUMINOUS SURFACE, ± 3"
- (3) EXISTING CONCRETE CURB & GUTTER, TYPE B-V.12
- (4) EXISTING CONCRETE SIDEWALK
- (5) EXISTING GRASS PARKWAY
- (6) PROPOSED LANDSCAPED MEDIAN (SEE PROPOSED LANDSCAPED MEDIAN DETAIL)

REVISIONS	
NAME	DATE

ILLINOIS DEPARTMENT OF TRANSPORTATION  
F.A.I. 94 (DAN RYAN EXPRESSWAY)  
**75TH AND 76TH STREET**  
**TYPICAL SECTIONS**  
SCALE: NONE  
DATE: JULY 8, 2005  
DRAWN BY: REW/RTA  
CHECKED BY: JCM



FILE: I:\62934\CD\1500\1500.dwg Contract: I:\62934\CD\1500.dwg T:\SEC\1100.dwg