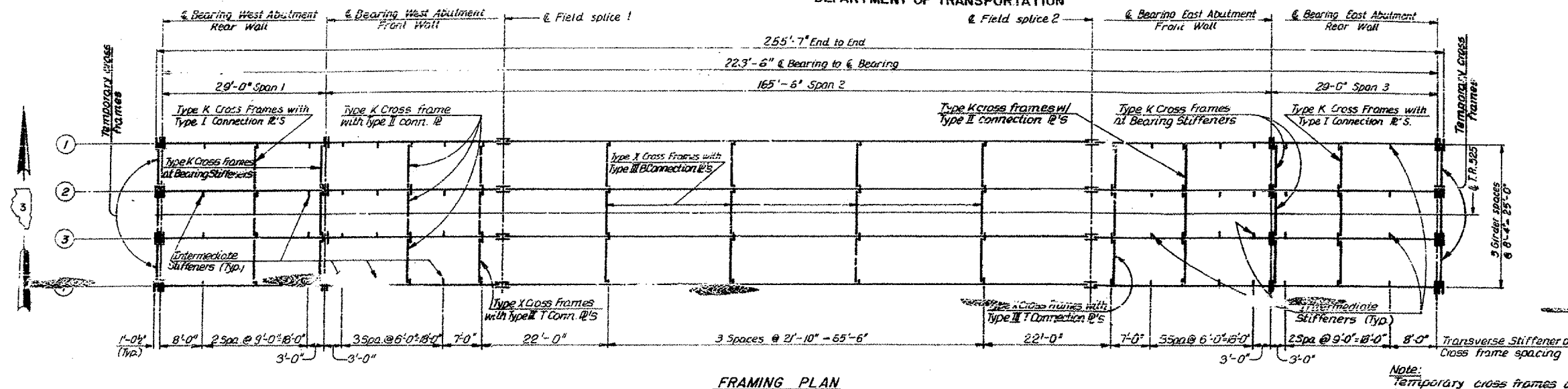


F.A.I. RTE.	SECTION	COUNTY	TOTAL SHEETS	SHEET NO.
412	501HB-2,1HB1BP	LASALLE	17	10
ILLINOIS				

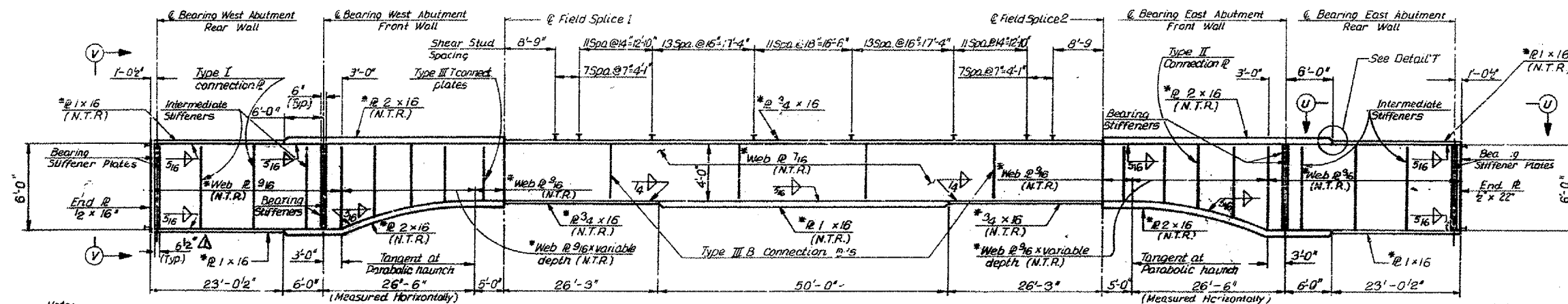
STATE OF ILLINOIS  
DEPARTMENT OF TRANSPORTATION



FRAMING PLAN

Note:  
See framing plan for location of cross-frame connection @'s.

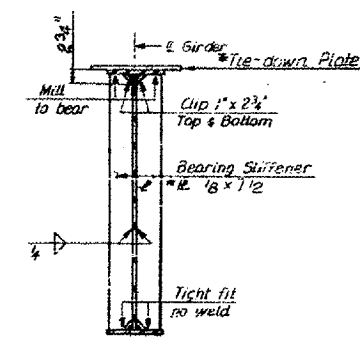
Note:  
Temporary cross frames are to be placed during steel erection and removed after deck has been cured. Cost incidental.



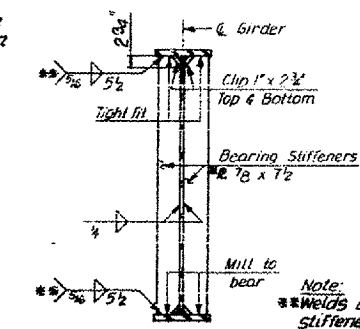
GIRDER ELEVATION

Note:  
All structural steel fabricators performing work on the main load carrying components of steel structures shall be certified under Category III (AISC) of the Quality Certification Program.

Notes:  
For Detail T, and End View U-See Drawing No. FG for View U-See Drawing No. FB  
N.T.R. indicates notch toughness requirements are applicable.  
@ indicates M 223, Gr 50 steel.  
See Dwg. FB for table of web elevations.

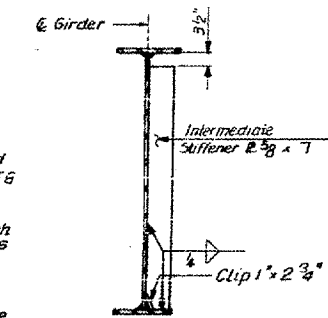


BEARING STIFFENER AT REAR WALL

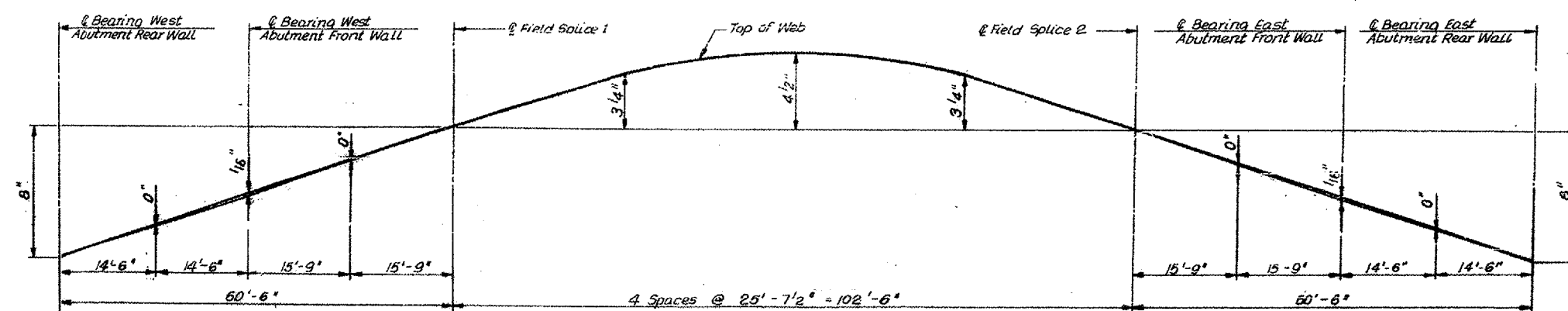


BEARING STIFFENER AT FRONT WALL

Note:  
Welds apply to stiffeners with cross frames.



INTERMEDIATE STIFFENER



CAMBER DIAGRAM

REVISIONS	
NAME	DATE

ILLINOIS DEPARTMENT OF TRANSPORTATION  
**EXISTING STRUCTURE PLANS  
FOR INFORMATION ONLY  
BRIDGE LOCATION 1  
S.N. 050-0214**  
SCALE: VERT.      DRAWN BY RW  
          HORIZ.      CHECKED BY  
DATE 04/18/05

Date: 04/18/05  
Project: c:\projects\main05\cm3078\details.dgn