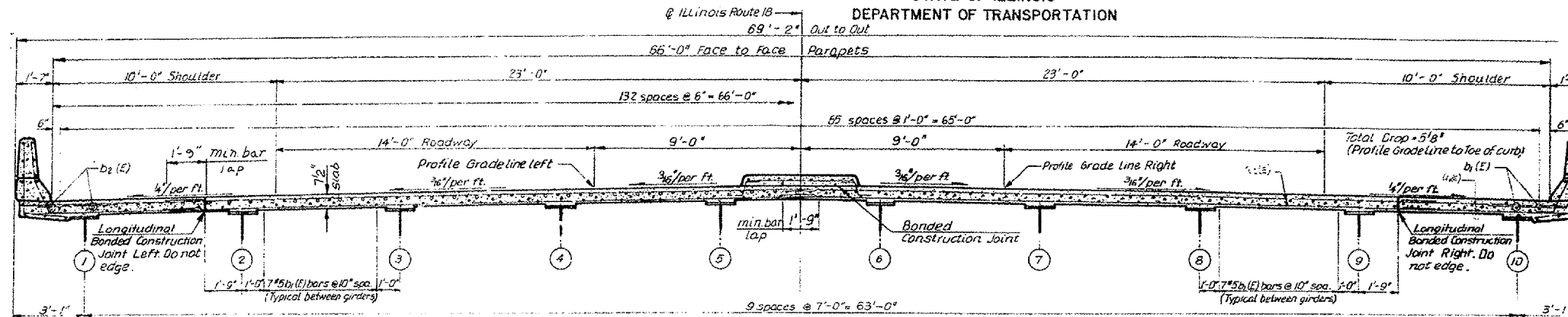


F.A.I. RTE.	SECTION	COUNTY	TOTAL SHEETS	SHEET NO.
412	501HB-2,1HB1BP	LASALLE	17	14
ILLINOIS				

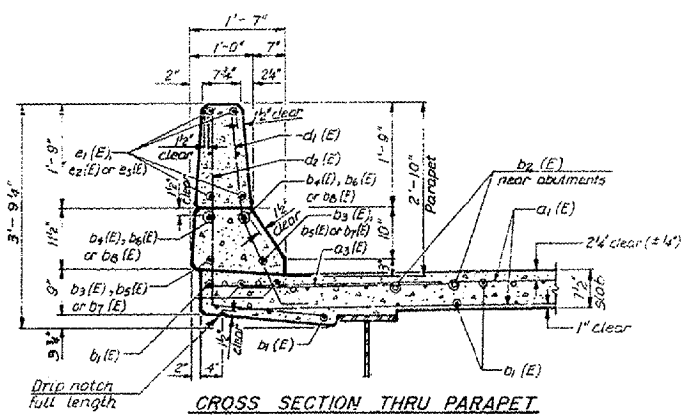
STATE OF ILLINOIS
DEPARTMENT OF TRANSPORTATION



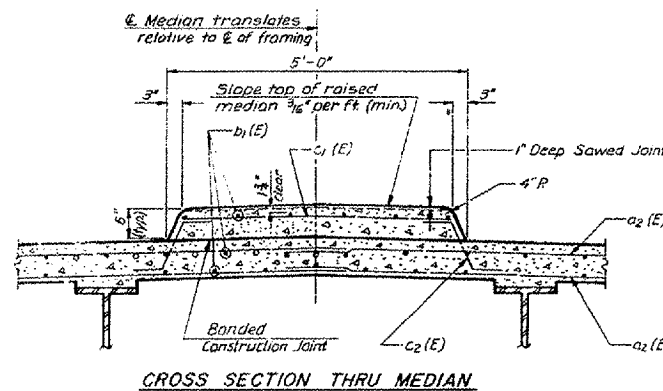
NEAR ABUTMENTS

NEAR MIDSPAN

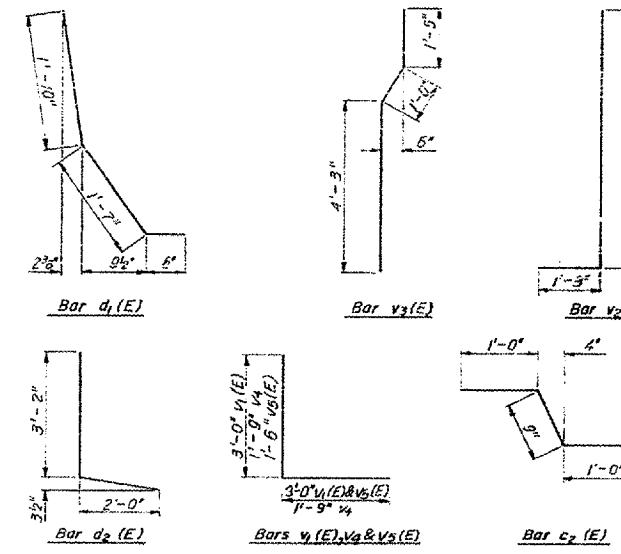
CROSS SECTION LOOKING EAST



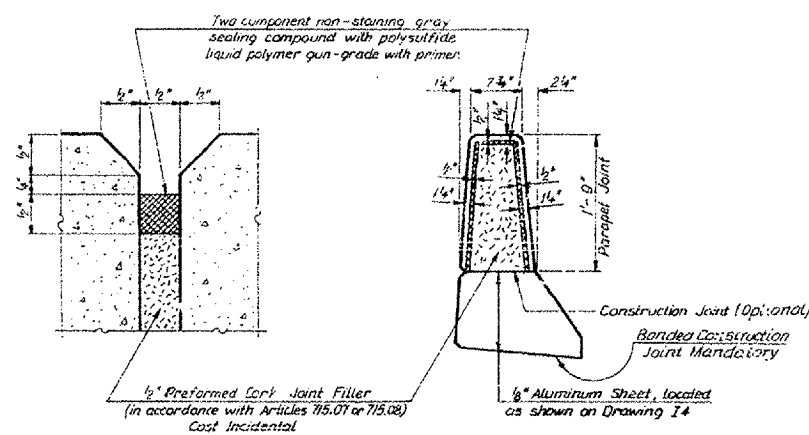
CROSS SECTION THRU PARAPET



CROSS SECTION THRU MEDIAN



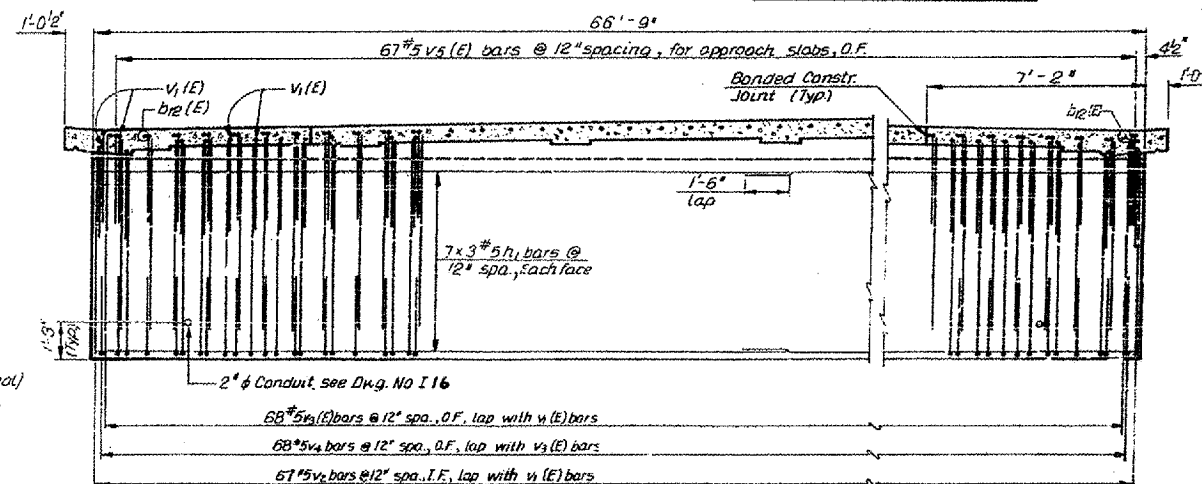
BAR BENDING DIAGRAMS



LONGITUDINAL SECTION THRU JOINT

SECTION Y-Y

PARAPET JOINT DETAILS



ABUTMENT DIAPHRAGM ELEVATION (SECTION Z-Z)

Bar	No.	Size	Length	Shape
a1(E)	1454	#5	7'-3"	
a2(E)	1454	#5	27'-0"	
a3(E)	422	#6	4'-0"	
b1(E)	1269	#5	27'-0"	
b2(E)	284	#6	34'-2"	
b3(E)	16	#5	15'-6"	
b4(E)	16	#8	15'-6"	
b5(E)	8	#5	7'-9"	
b6(E)	8	#8	19'-9"	
b7(E)	16	#5	32'-8"	
b8(E)	16	#8	33'-5"	
c1(E)	24	#5	15'-6"	
c2(E)	12	#5	19'-6"	
c3(E)	24	#5	32'-8"	
c4(E)	134	#5	4'-0"	
c5(E)	229	#5	2'-2"	
c6(E)	438	#5	2'-9"	
d1(E)	500	#5	3'-4"	
d2(E)	428	#6	5'-2"	
v1(E)	48	#5	19'-6"	
v2(E)	24	#4	19'-9"	
v3(E)	96	#4	15'-5"	
v4	84	#5	23'-2"	
v5(E)	210	#5	6'-0"	
v6	134	#5	7'-2"	
v7(E)	136	#5	8'-8"	
v8	136	#5	3'-6"	
v9(E)	134	#5	4'-6"	
Item		Unit	Quantity	
Class Conc. Supersbr.		Cu. Yd.	509	
Reinforcement Bars		Pound	3,600	
Reinforcement Bars (Epoxy coated)		Pound	124,310	

Notes:
For location of sections Y-Y and Z-Z see Drawing No. 17

MINIMUM BAR LAPS
#5 BARS = 1'-9"
#6 BARS = 2'-4"

REVISIONS	
NAME	DATE

ILLINOIS DEPARTMENT OF TRANSPORTATION
**EXISTING STRUCTURE PLANS
FOR INFORMATION ONLY
BRIDGE LOCATION 2
S.N. 050-0215**
SCALE: VERT. _____
HORIZ. _____
DATE 04/18/05
DRAWN BY RW
CHECKED BY _____

Date: 04/18/05
Project: cz/projects/cmln05/cm3078/details.dgn