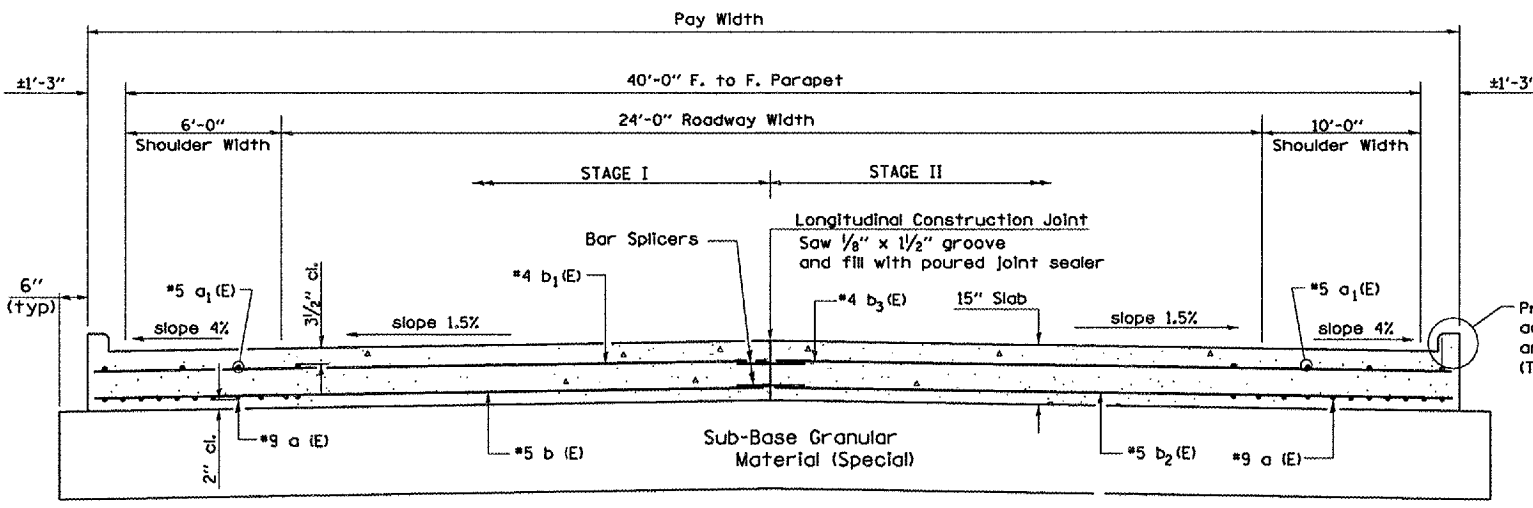
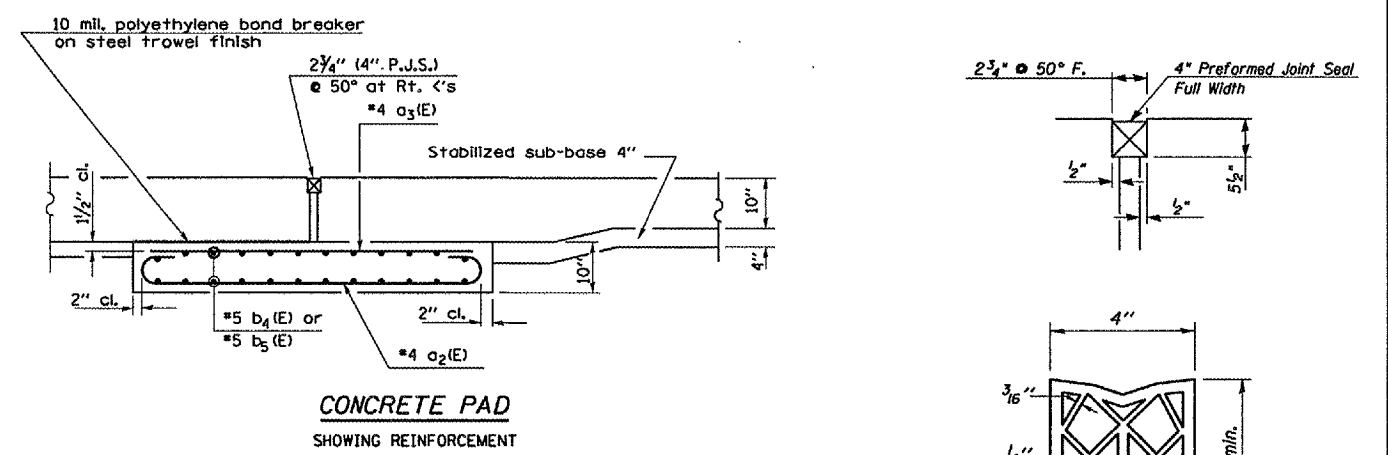
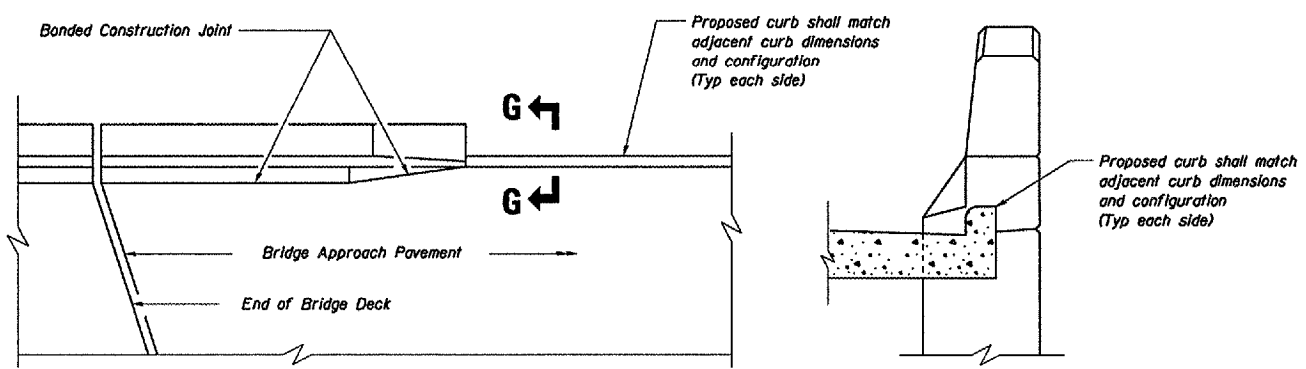
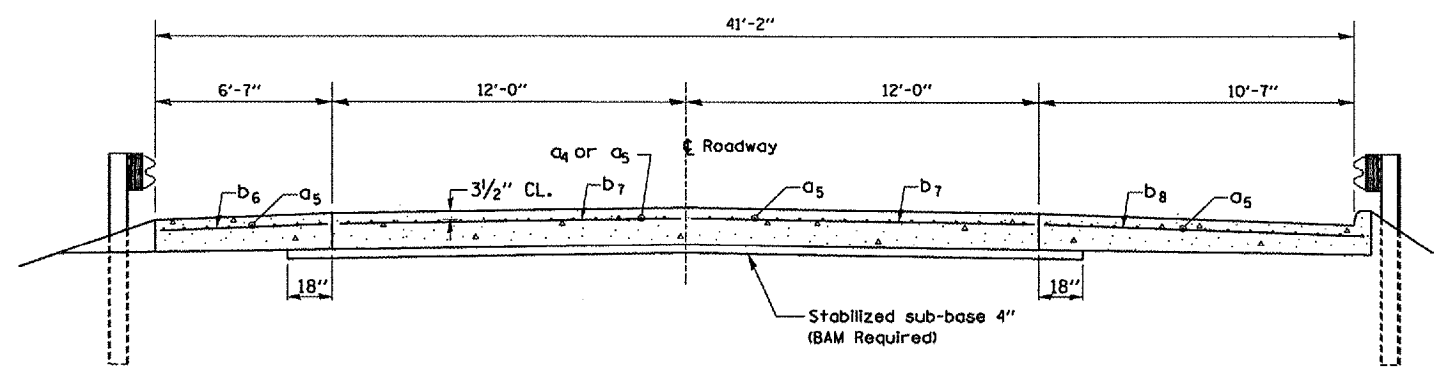
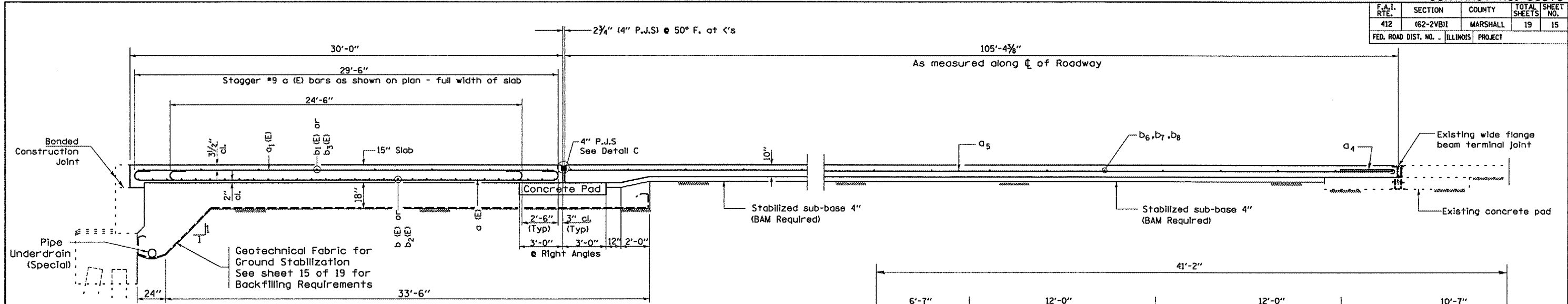


F.A.I. RTE.	SECTION	COUNTY	TOTAL SHEETS	SHEET NO.
412	(62-2VB)I	MARSHALL	19	15
FED. ROAD DIST. NO. - ILLINOIS PROJECT				



REVISIONS		ILLINOIS DEPARTMENT OF TRANSPORTATION PROPOSED APPROACH PAVEMENT DETAILS - NORTH APPROACH FAI 412 (I-39) SECTION (62-2VB)I STA. 165+90.23 MARSHALL COUNTY	DRAWN BY RLW CHECKED BY
NAME	DATE		

SCALE: VERT. HORIZ. DATE 04/26/2005

Date: 04/26/2005
File: c:\projects\cmaln06\cm308\details.dgn