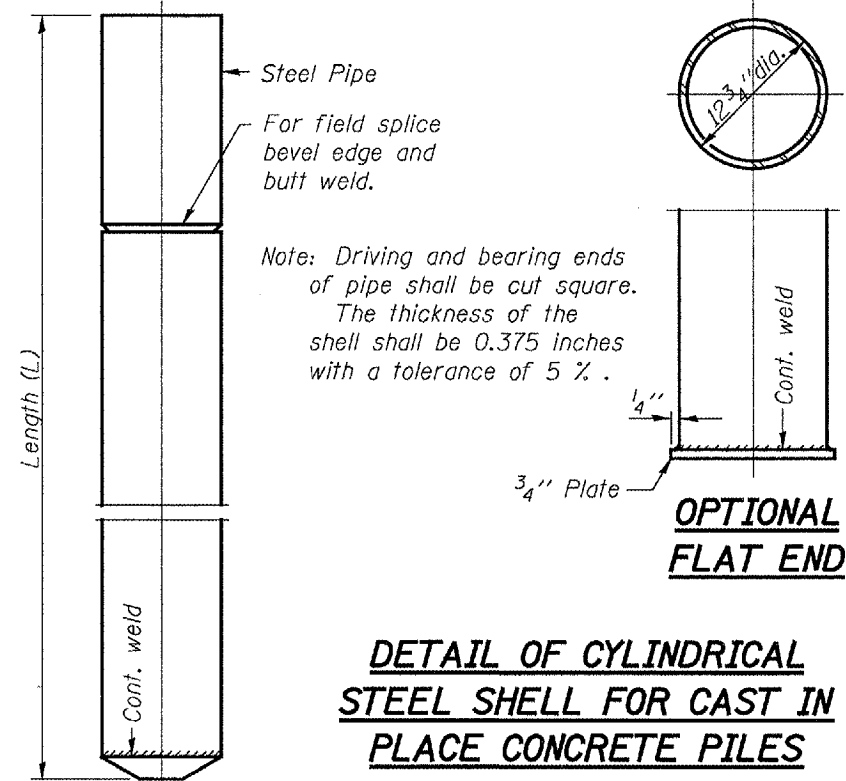


**PILE SPECIFICATIONS**

ASTM Standards A 252 Grade 2
Mild Carbon Steel Pipe or equivalent
3/8" wall thickness
12" I.D., 12 3/4" O.D.
Accommodates a 14" I.D. MOAB Internal Bushing



**NOTE**

STEEL PILING TO BE DRIVEN IN ACCORDANCE WITH ARTICLE 512 OF THE STANDARD SPECIFICATIONS.

STREAM BED ELEVATION IS APPROXIMATELY ELEV 439.  
PILE TIP ELEVATION ESTIMATED AT ELEV 414.  
PILE SHALL EXTEND ABOVE THE STREAM BED TO ELEV 468 AND SHALL BE ANCHORED INTO THE DECK WITH STABILIZER BRACKETS AS SHOWN ABOVE.

MOABS, STABILIZER BRACKET ASSEMBLY AND CONSULTATION ON PILE INSTALLATION PROVIDED BY DEBRIS FREE, INC. OJAI, CA.

009-0005 MOAB DETAIL  
FAP 614 (IL 78)  
SECTION (144BR-2)I-3,  
(144BR-3)I-2  
CASS COUNTY