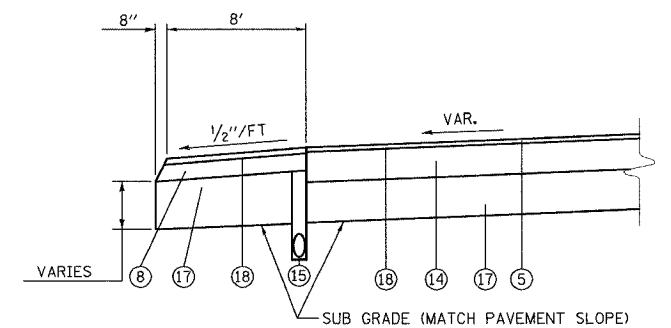
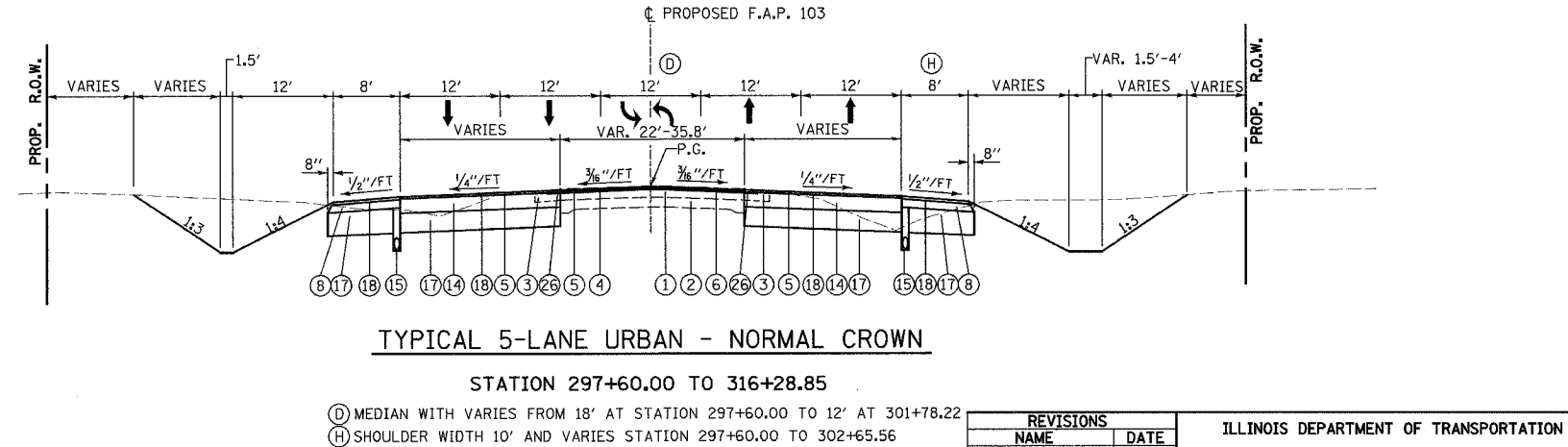
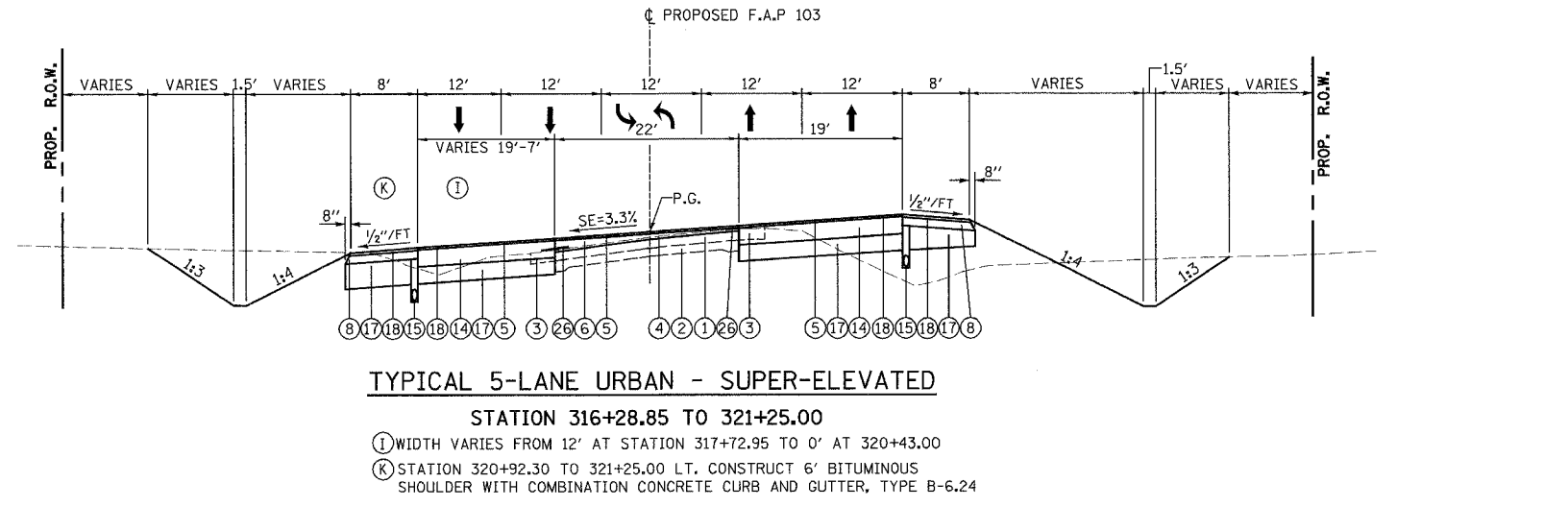
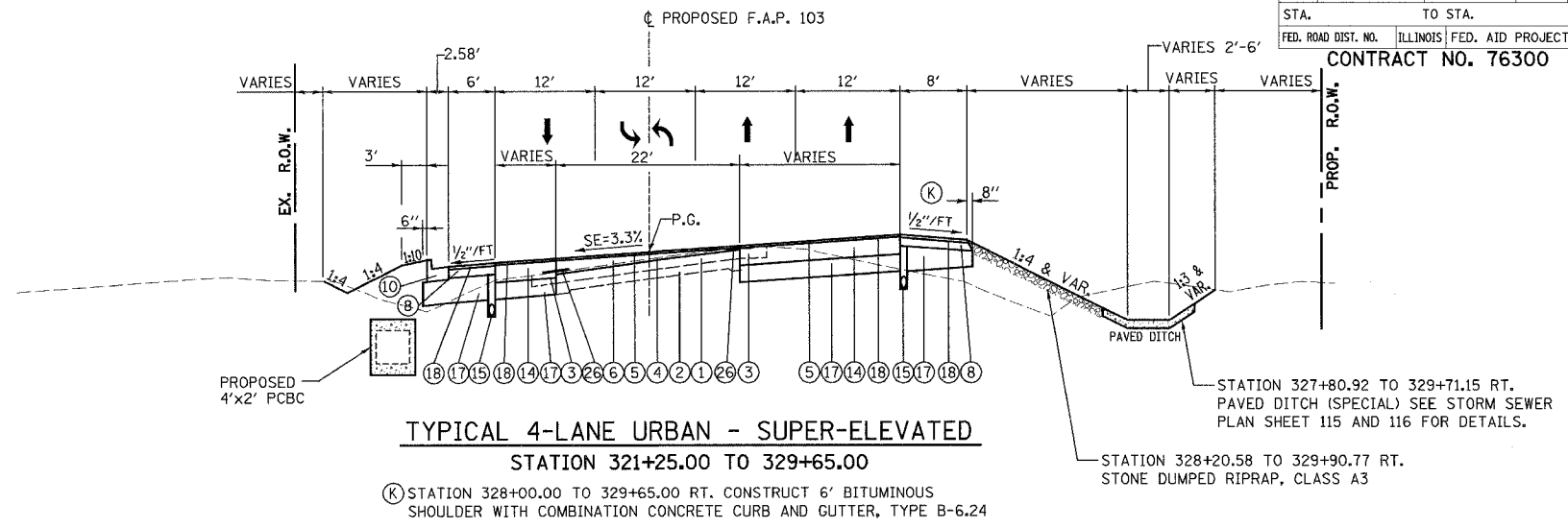


F.A.P. RTE.	SECTION	COUNTY	TOTAL SHEETS	SHEET NO.
103	27-1R	ST. CLAIR	382	10
STA.		TO STA.		
FED. ROAD DIST. NO.		ILLINOIS	FED. AID PROJECT	

CONTRACT NO. 76300

**LEGEND**

- ① EXISTING RESURFACING - 7" AND VARIES (SEE STAGING PLAN FOR LOCATIONS OF PAVEMENT REMOVAL)
- ② EXISTING PCC PAVEMENT 9-7-9 (SEE STAGING PLAN FOR LOCATIONS OF PAVEMENT REMOVAL)
- ③ EXISTING BITUMINOUS SHOULDER (TO BE REMOVED)
- ④ PROPOSED BITUMINOUS SURFACE REMOVAL - 1-1/2"
- ⑤ PROPOSED BITUMINOUS CONCRETE SURFACE COURSE, SUPERPAVE, MIX "D", N90 - 1-1/2"
- ⑥ PROPOSED BITUMINOUS CONCRETE BINDER COURSE, SUPERPAVE, IL - 19.0, N90 - 2-1/4" MINIMUM
- ⑦ PROPOSED BITUMINOUS CONCRETE PAVEMENT (FULL-DEPTH) SUPERPAVE, 14"
- ⑧ PROPOSED BITUMINOUS SHOULDERS SUPERPAVE 8"
- ⑨ PROPOSED BITUMINOUS CONCRETE BASE COURSE WIDENING, SUPERPAVE 12- 1/2 "
- ⑩ PROPOSED CCC&G TY.B6.24
- ⑪ PROPOSED CONCRETE MEDIAN SURFACE, 4 INCH
- ⑫ PROPOSED LIME MODIFICATION -12"
- ⑬ PROPOSED SUBBASE GRANULAR MATERIAL, TYPE C
- ⑭ PROPOSED BITUMINOUS CONCRETE BINDER COURSE, SUPERPAVE, IL - 19.0, N90 - 12- 1/2 "
- ⑮ PROPOSED PIPE UNDERDRAINS
- ⑯ PROPOSED INCIDENTAL BITUMINOUS SURFACING, N90 - 2" MINIMUM
- ⑰ PROPOSED SUBBASE GRANULAR MATERIAL, TYPE B - 12" MINIMUM
- ⑱ PROPOSED BITUMINOUS MATERIALS (PRIME COAT) WITH AGGREGATE (PRIME COAT)
- ⑲ PROPOSED AGGREGATE SURFACE COURSE, TYPE-A - 6"
- ⑳ PROPOSED PORTLAND CEMENT CONCRETE PAVEMENT 9" (JOINTED)
- ㉑ PROPOSED CONCRETE CURB, TYPE B (DOWELLED)
- ㉒ PROPOSED SAND FILL
- ㉓ PROPOSED BITUMINOUS CONCRETE BINDER COURSE, SUPERPAVE, IL - 19.0, N90 - 12"
- ㉔ PROPOSED CONCRETE MEDIAN, TYPE SB (MODIFIED)
- ㉕ PROPOSED BITUMINOUS CONCRETE PAVEMENT (FULL-DEPTH) SUPERPAVE, 9"
- ㉖ PROPOSE STRIP REFLECTIVE CRACK CONTROL TREATMENT
  - CONSTRUCT MINIMUM 2" SURFACE COURSE ON EXISTING SHOULDER
- PROPOSED BITUMINOUS CONCRETE PAVEMENT FULL DEPTH SUPERPAVE, 14" SHALL CONSIST OF BITUMINOUS CONCRETE SURFACE COURSE, SUPERPAVE, MIX "D", NO - 2" AND BITUMINOUS CONCRETE BINDER COURSE, SUPERPAVE, 19.0, N90 - 12".
- CONSTRUCT FINAL 2" LIFT AFTER PLACING SURFACE COURSE ON ADJACENT PAVEMENT.
- BITUMINOUS CONCRETE SURFACE COURSE, SUPERPAVE MIX "D", N90 - 2" AND BITUMINOUS CONCRETE BINDER COURSE, SUPERPAVE, 19.0, N90 - 7"



**SUBBASE GRANULAR MATERIAL, TYPE B 12" MINIMUM DETAIL**  
STATION 297+60.00 TO 321+25.00

REVISIONS	
NAME	DATE

ILLINOIS DEPARTMENT OF TRANSPORTATION  
**TYPICAL SECTIONS**  
 SHEET 4 OF 5 SHEETS  
 F.A.P. 103 (IL. RTE. 13/15)  
 SECTION 27-1R - ST. CLAIR CO.  
 SCALE: NONE  
 DATE: February 11, 2005  
 DRAWN BY: CRO  
 CHECKED BY: RCY

J:\2005\02065\02065.dwg  
 3/2/2005