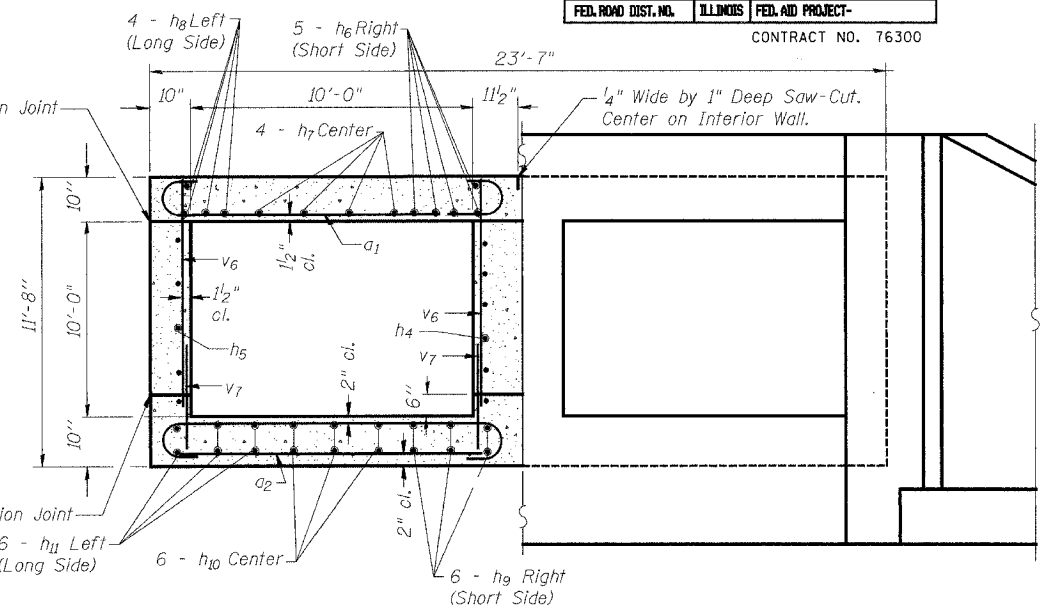
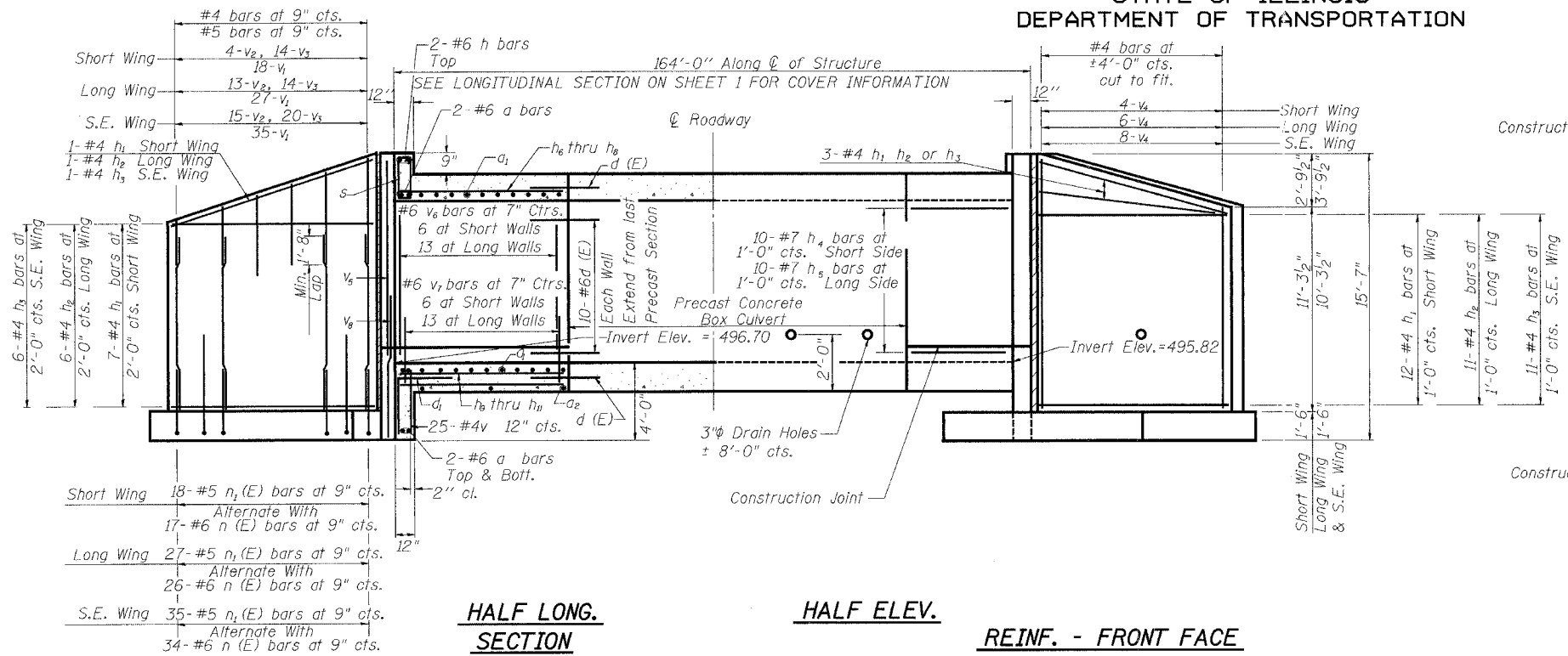


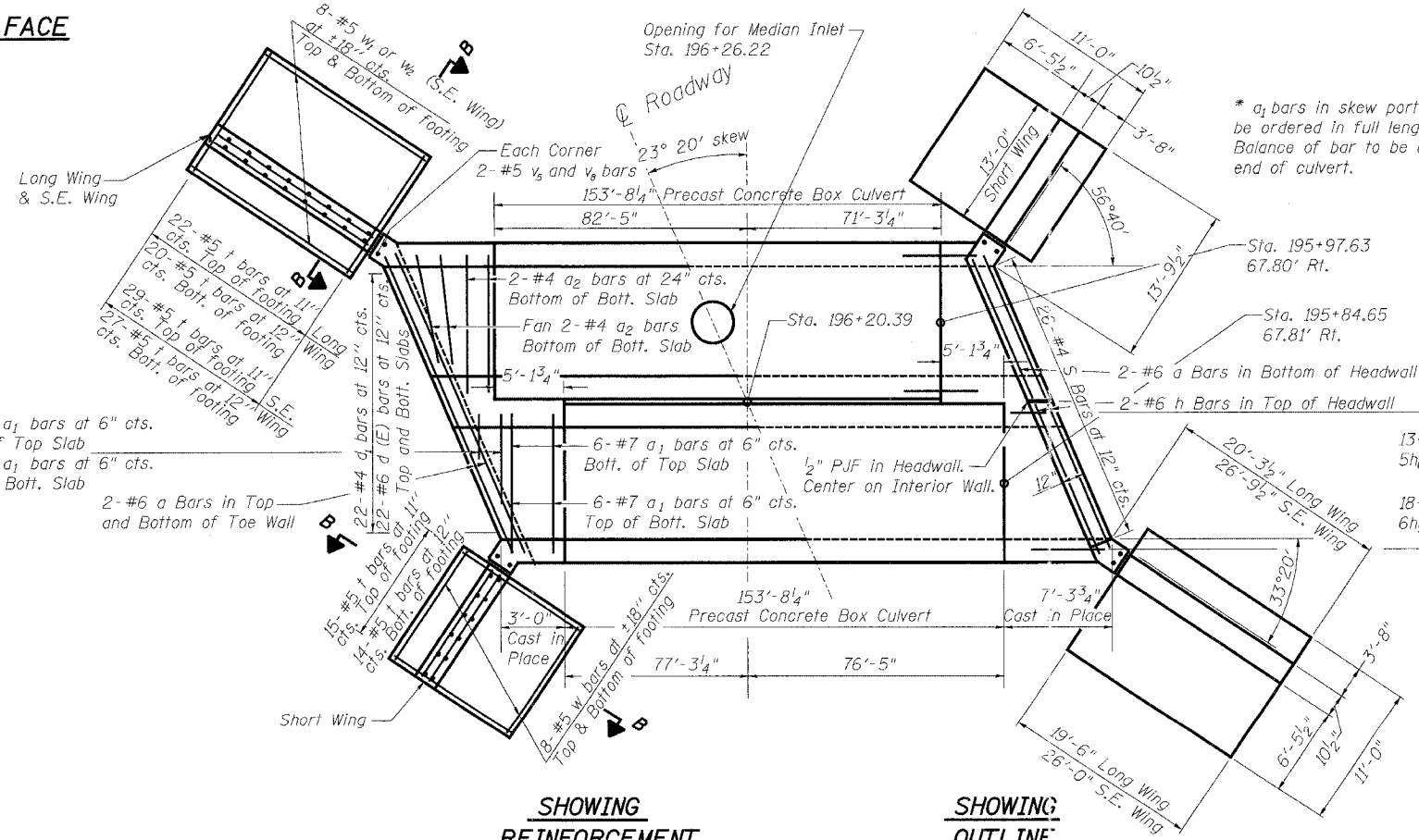
STATE OF ILLINOIS
DEPARTMENT OF TRANSPORTATION

ROUTE NO.	SECTION	COUNTY	DATE	SHEET NO.
F.A.P. 103	27-1R	ST. CLAIR	382	192
FED. ROAD DIST. NO.	ILLINOIS	FED. AID PROJECT-		
CONTRACT NO. 76300				

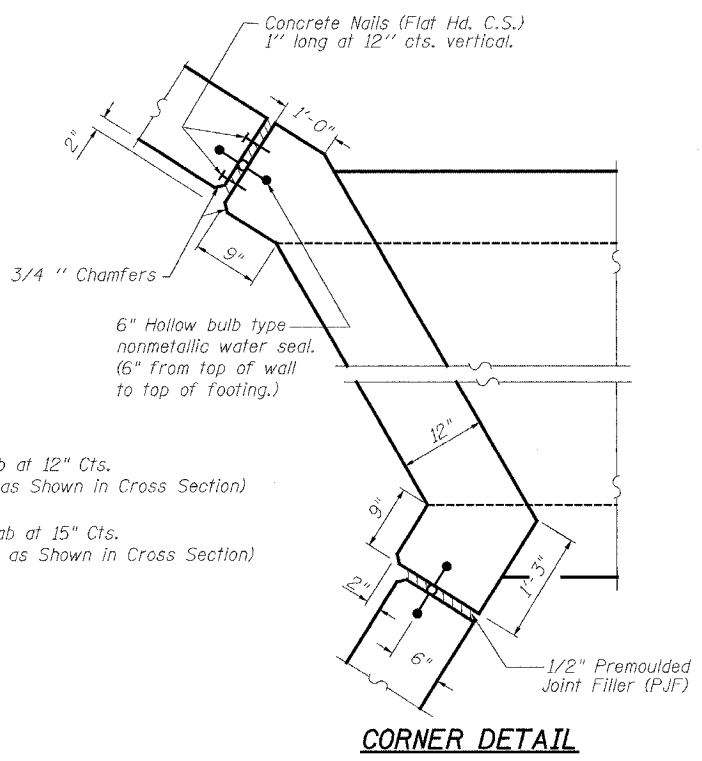


HALF SECTION THRU BARREL HALF END ELEVATION
(CAST IN PLACE)

REINF. - BACK FACE



SHOWING REINFORCEMENT PLAN



CORNER DETAIL

DESIGN STRESSES

$f_y = 60,000$ psi
 $f'_c = 3,500$ psi - Cast In Place
 $f'_c = 5,000$ psi - Precast
Max. Applied Soil Pressure = 1800 psf

LOADING HS 20-44

DOUBLE BOX CULVERT
IL ROUTE 13/15
OVER SUGAR CREEK
F.A.P. ROUTE 103 SECTION 27-1R
ST. CLAIR COUNTY
STATION 196+20.39
STRUCTURE NO. 082-2043

DESIGNED	KCM
CHECKED	TMM
DRAWN	JLM
CHECKED	TMM

NOTES

Coordinate precast joint locations with staged construction requirements.
Reinforcement bars designated (E) shall be epoxy coated.
Exposed edges shall be beveled $3/4$ "