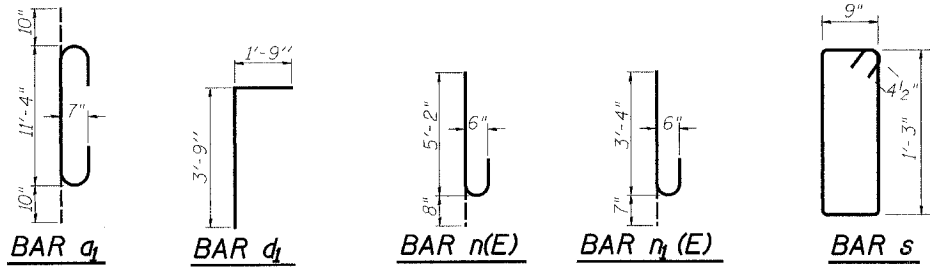


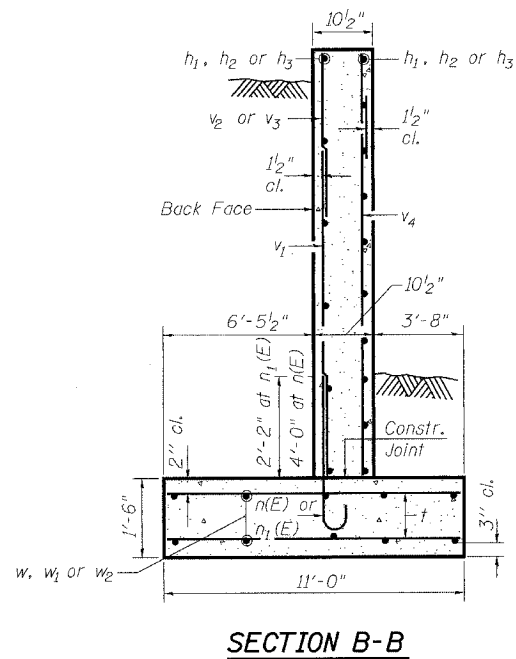
STATE OF ILLINOIS
DEPARTMENT OF TRANSPORTATION

ROUTE NO.	SECTION	COUNTY	STATE SHEETS	SHEET NO.
F.A.P. 103	27-1R	ST. CLAIR	382	193
FED. ROAD DIST. NO.	ILLINOIS FED. AID PROJECT-			
CONTRACT NO. 76300				

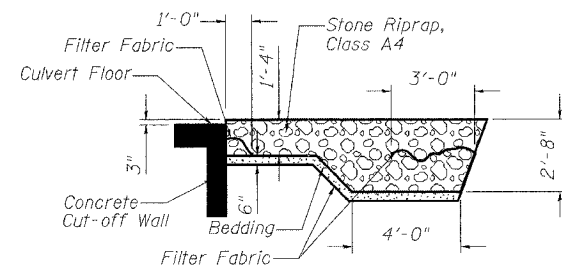


BI.L OF MATERIAL

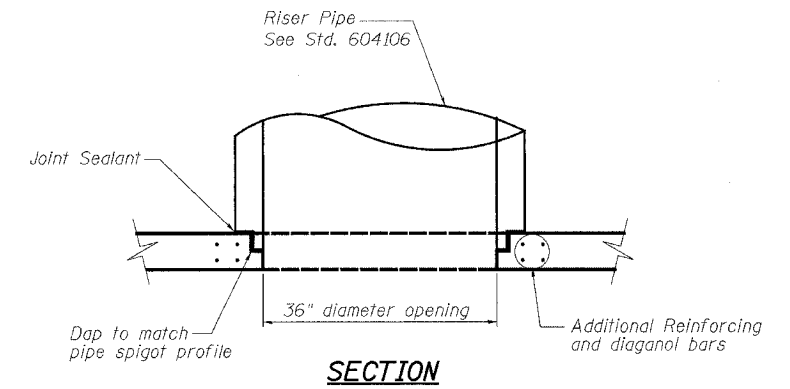
Bar	No.	Size	Length	Shape
a	12	#6	25'-4"	U
a ₁	84	#7	13'-0"	U
a ₂	15	#4	10'-3"	U
d (E)	168	#6	4'-0"	L
d ₁	44	#4	5'-6"	L
h	8	#6	12'-6"	—
h ₁	46	#4	12'-8"	—
h ₂	21	#4	19'-2"	—
h ₃	21	#4	25'-8"	—
h ₄	40	#7	2'-9"	—
h ₅	40	#7	7'-0"	—
h ₆	20	#6	2'-9"	—
h ₇	16	#6	4'-6"	—
h ₈	16	#6	6'-0"	—
h ₉	24	#5	2'-9"	—
h ₁₀	24	#5	4'-3"	—
h ₁₁	24	#5	6'-0"	—
n(E)	94	#6	5'-10"	U
n ₁ (E)	98	#5	3'-11"	U
s	52	#4	4'-9"	L
t	156	#5	10'-8"	—
v	50	#4	3'-8"	—
v ₁	98	#5	6'-0"	—
v ₂	36	#4	7'-6"	—
v ₃	62	#4	9'-6"	—
v ₄	22	#4	13'-10"	—
v ₅	8	#5	10'-9"	—
v ₆	76	#5	10'-0"	—
v ₇	76	#5	2'-3"	—
v ₈	8	#5	5'-6"	—
w	32	#5	12'-8"	—
w ₁	16	#5	19'-2"	—
w ₂	16	#5	25'-8"	—
* Cast in Place Concrete	Cu. Yd.	110.4		
* Reinforcement Bars, Epoxy Coated	Pound	2240		
* Reinforcement Bars	Pound	11,280		
Precast Concrete Box Culvert 10' x 10'	Foot	307.5		



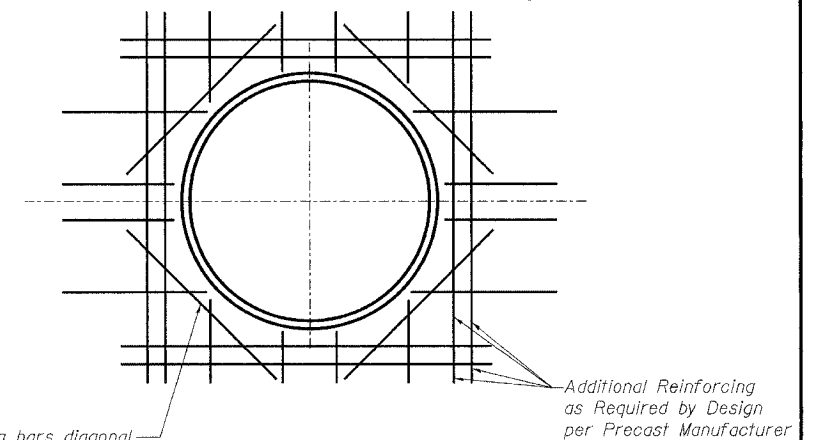
SECTION B-B



**SECTION A-A
STONE RIPRAP ANCHOR DETAILS**



SECTION



OPENING FOR MEDIAN INLET

* For information only. Cast in place concrete and reinforcing for Box Culvert and wingwalls, will be paid for as Box Culvert End Section, Culvert No. 3

Bill of Material includes Concrete and Reinforcing for all Cast in Place Portions of Box Culvert and all Wing Walls

DESIGNED	KCM
CHECKED	TMM
DRAWN	JLM
CHECKED	TMM

**BOX CULVERT DETAILS
IL ROUTE 13/15
OVER SUGAR CREEK
F.A.P. ROUTE 103 SECTION 27-1R
ST. CLAIR COUNTY
STATION 196+20.39
STRUCTURE NO. 082-2043**