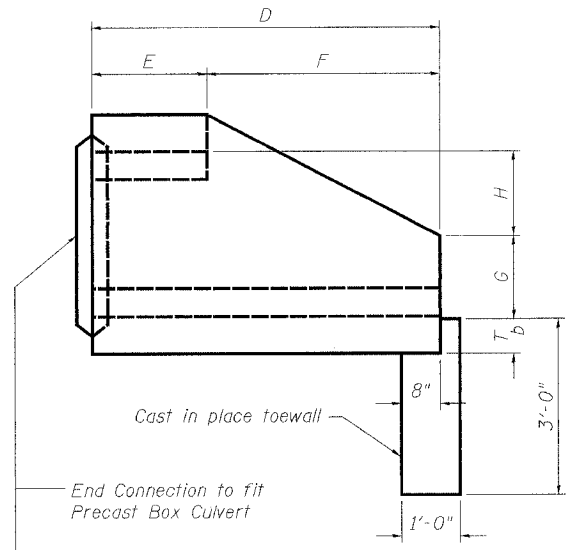


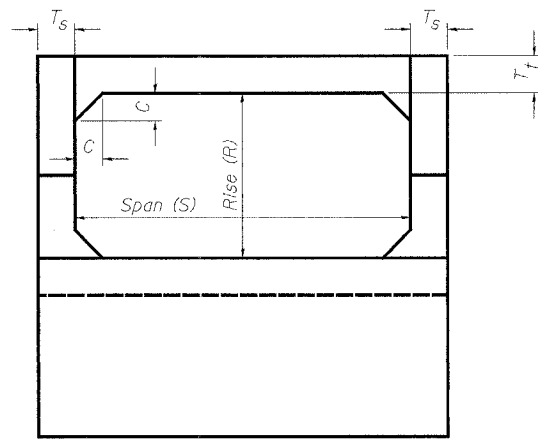
STATE OF ILLINOIS
DEPARTMENT OF TRANSPORTATION

ROUTE NO.	SECTION	COUNTY	DATE	SHEET	SHEET NO. 2 2 SHEETS
F.A.P. 103	27-1R	ST. CLAIR	382	199A	
FED. ROAD DIST. NO. 7	ILLINOIS	FED. AID PROJECT-			

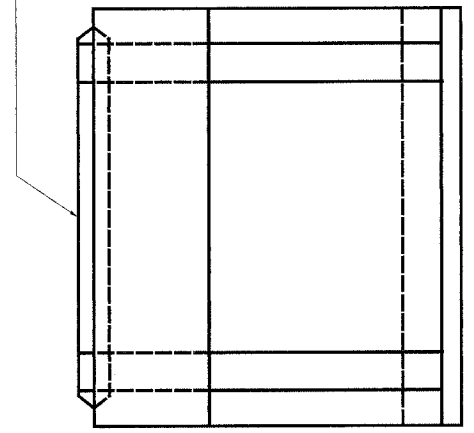
CONTRACT NO. 76300



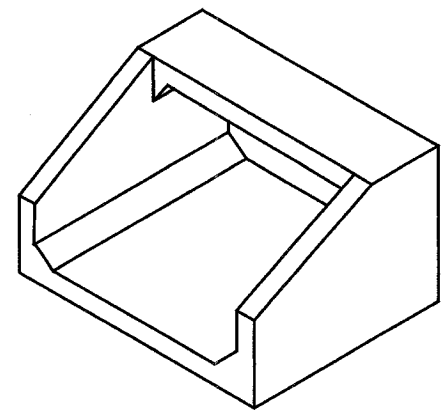
SIDE VIEW



END VIEW



PLAN



ISOMETRIC VIEW

PRECAST CONCRETE BOX CULVERT END SECTIONS

Precast Concrete Box Culvert End Sections

This work consists of furnishing and installing Precast Box Culvert End Sections as shown on the plans and specified herein.

This work shall comply with Articles 540 of the Standard Specifications.

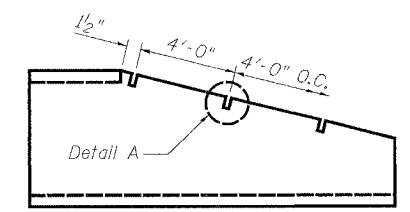
Steel shapes shall conform to AASHTO M 183 and shall be galvanized conforming to AASHTO M 111. Steel pipe shall conform to ASTM A-53 (Type E or S) Grade B, Schedule 40, and shall be in accordance with Article 1006.1B of the Standard Specifications. All fabrication shall be completed before galvanizing.

The box culvert end section shall be notched out so that the angles will set into the concrete.

The precast concrete box culvert end section will be measured on an each basis. The end sections will be paid for at the contract unit price each for box culvert end sections, of the culvert pay item number specified, and include excavation, toewall and grates.

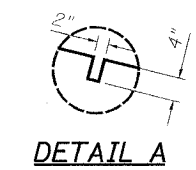
Bolts, nuts and washers shall be in accordance with Article 1006.08 of the Standard Specifications.

DESIGNED	KCM
CHECKED	TMM
DRAWN	EJR
CHECKED	TMM

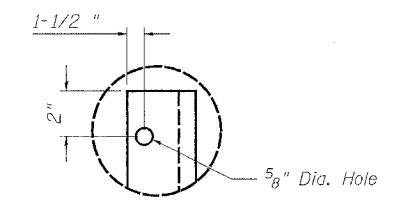


PRECAST END SECTION FOR GRATE

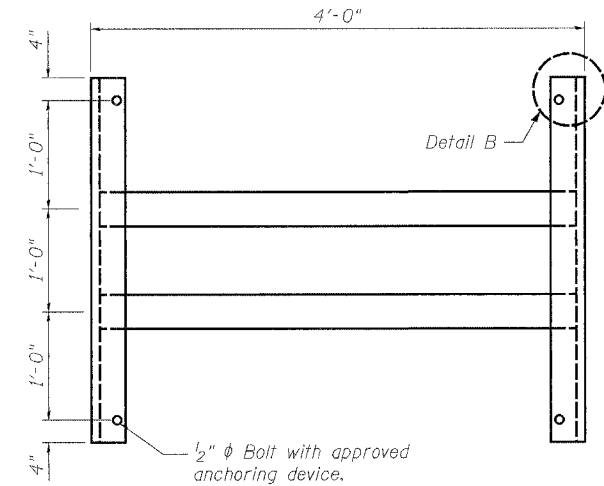
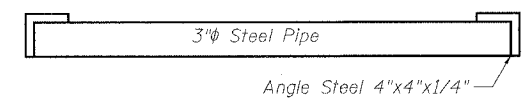
Note: See Precast Concrete Box Culvert End Sections for remainder of end section requirements.



DETAIL A



DETAIL B



GRATE

Notes: The steel pipes shall be welded to the angles before galvanizing. The welds shall conform with AISC Standards and shall meet the approval of the engineer.

BOX CULVERT END SECTIONS AND DETAILS
IL ROUTE 13/15
F.A.P. ROUTE 103 SECTION 27-1R
ST. CLAIR COUNTY