

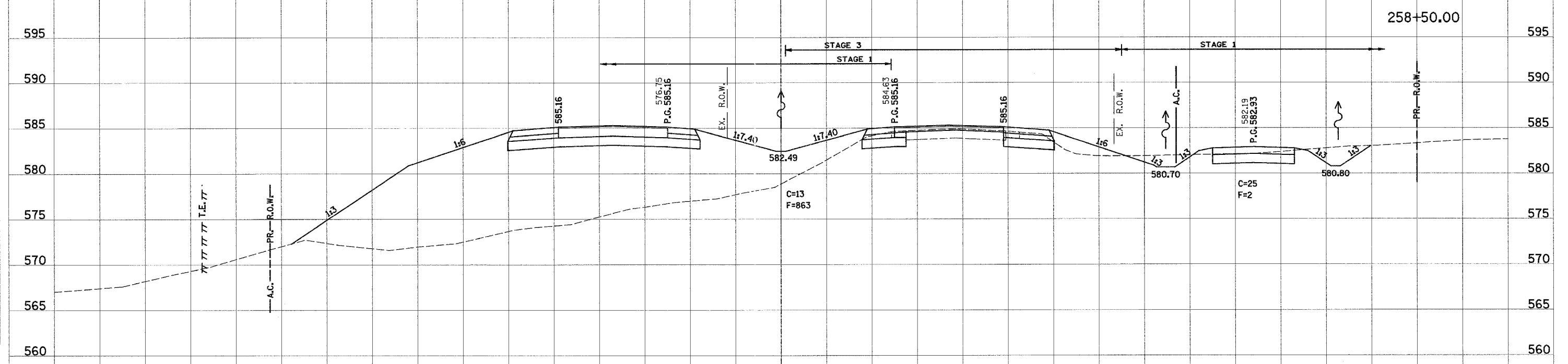
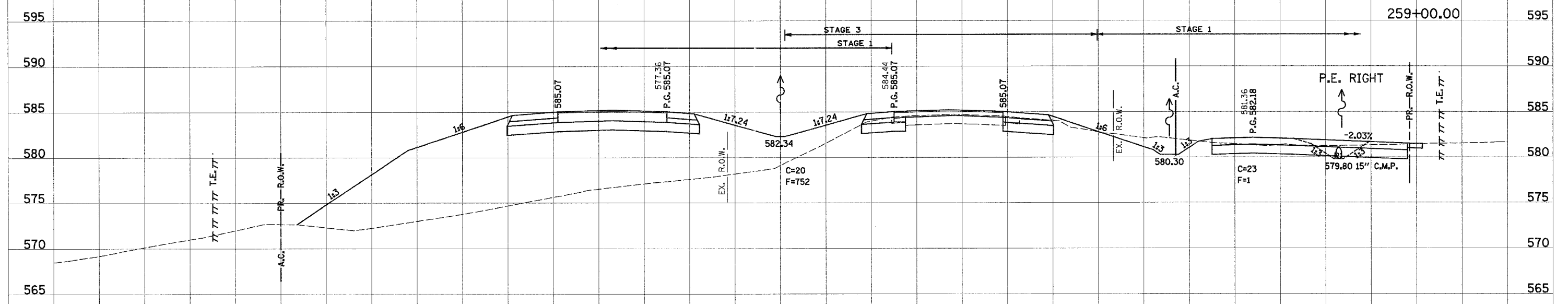
160 150 140 130 120 110 100 90 80 70 60 50 40 30 20 10 0 10 20 30 40 50 60 70 80 90 100 110 120

PROP. F.A.P. 103

F.A.P. RTE.	SECTION	COUNTY	TOTAL SHEETS	SHEET NO.
103	27-1R	ST. CLAIR	382	294
STA.		TO STA.		
FED. ROAD DIST. NO.		ILLINOIS FED. AID PROJECT		
CONTRACT NO. 76300				

FINAL SURVEY	DATE
SURVEYED	
NOTE BOOK	
AREAS CHECKED	

ORIGINAL SURVEY	DATE
SURVEYED	
NOTE BOOK	
AREAS CHECKED	



160 150 140 130 120 110 100 90 80 70 60 50 40 30 20 10 0 10 20 30 40 50 60 70 80 90 100 110 120 130 140 150 160