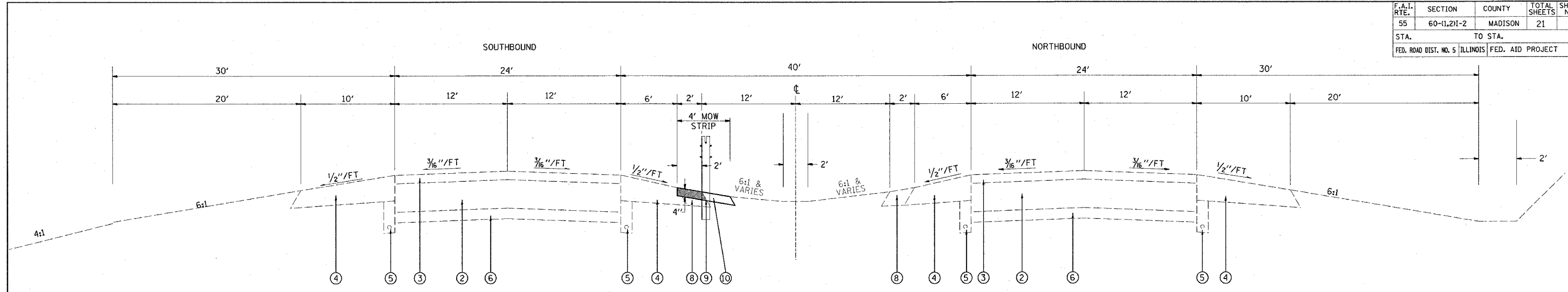
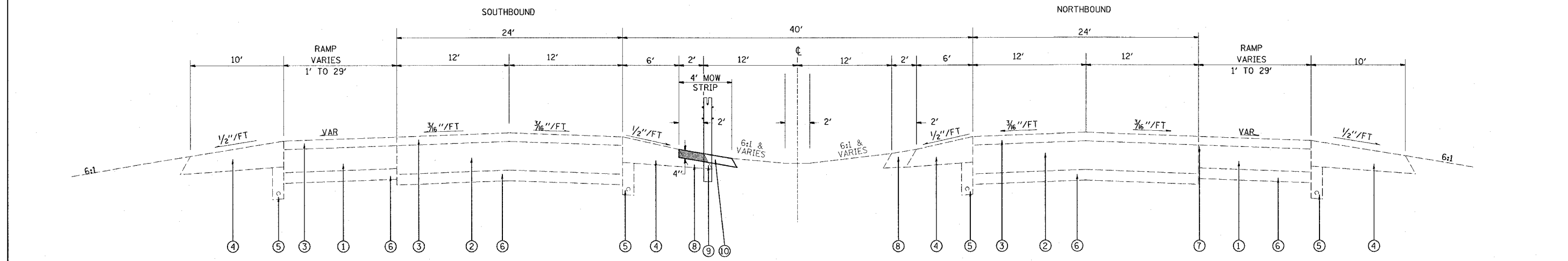


F.A.I. RTE.	SECTION	COUNTY	TOTAL SHEETS	SHEET NO.
55	60-1,2)I-2	MADISON	21	4
STA.		TO STA.		
FED. ROAD DIST. NO. 5		ILLINOIS FED. AID PROJECT		



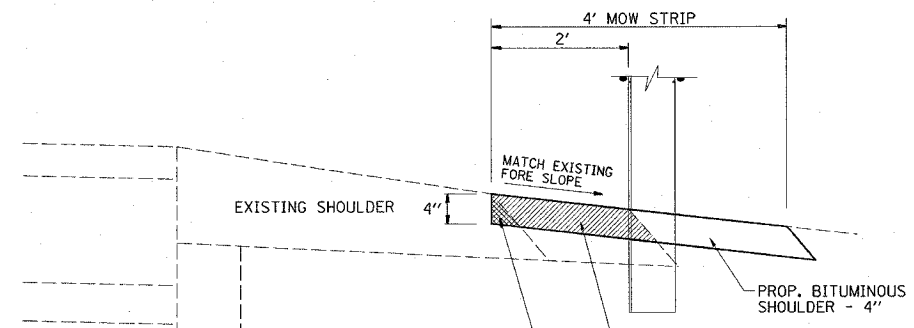
TYPICAL SECTION I-55

NB STA 978+86.68 TO STA 1095+96    SB STA 978+86.68 TO STA 1102+06  
 NB STA 1109+21 TO STA 1126+26    SB STA 1109+21 TO STA 1126+26  
 NB STA 1133+78 TO STA 1189+15.35    SB STA 1138+71 TO STA 1189+15.35



TYPICAL SECTION I-55

NB STA 1095+96 TO STA 1109+21    SB STA 1102+06 TO STA 1109+21  
 NB STA 1126+26 TO STA 1133+78    SB STA 1126+26 TO STA 1138+71



- LEGEND**
- ① EXISTING PCC PAVEMENT, 8"
  - ② EXISTING PCC PAVEMENT, 10"
  - ③ EXISTING RESURFACING, 6"
  - ④ EXISTING BITUMINOUS SHOULDER, 9 1/2"
  - ⑤ EXISTING PIPE UNDERDRAINS, 6"
  - ⑥ EXISTING SUB BASE, 6"
  - ⑦ EXISTING STRIP REFLECTIVE CRACK CONTROL TREATMENT
  - ⑧ EXISTING AGGREGATE SHOULDER
  - ⑨ PROPOSED WIRE ROPE SAFETY FENCE
  - ⑩ PROPOSED BITUMINOUS SHOULDER - 4"

**MIXTURE REQUIREMENT CHART**

MIXTURE USE	SHOULDERS	TOP LIFT SHOULDERS
AC/PG	PG 58-22	PG 58-22
RAP % (MAX)	30%	30%
DESIGN AIR VOIDS	2.0% @ Ndes=30	**2.0% @ Ndes=30
MIX COMPOSITION (GRADATION MIXTURE)	BAM	BAM
FRICITION AGG	BAM	BAM

REVISIONS	
NAME	DATE

ILLINOIS DEPARTMENT OF TRANSPORTATION  
**TYPICAL SECTIONS**  
 FAI ROUTE 55  
 SECTION 60-(1,2)I-2  
 MADISON COUNTY

SCALE: VERT.    DRAWN BY: EKS  
 HORIZ.        CHECKED BY  
 DATE

PLOT DATE = 7/16/2008  
 FILE NAME = C:\pwork\76940\plan\p1-080305.dgn  
 PLOT SCALE = 50.000000 / 1" = REF