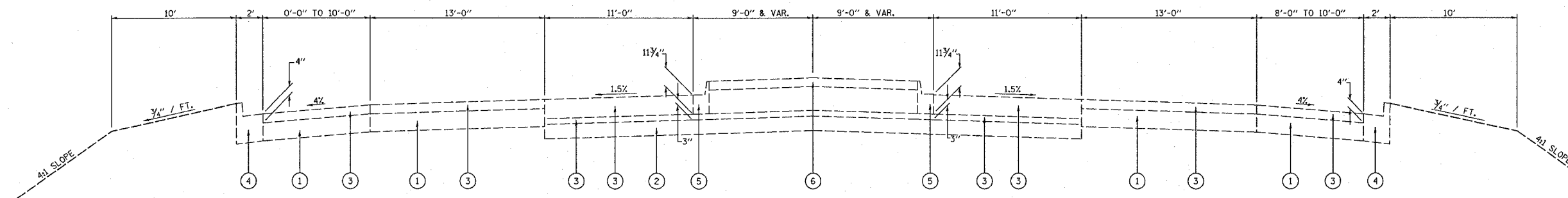
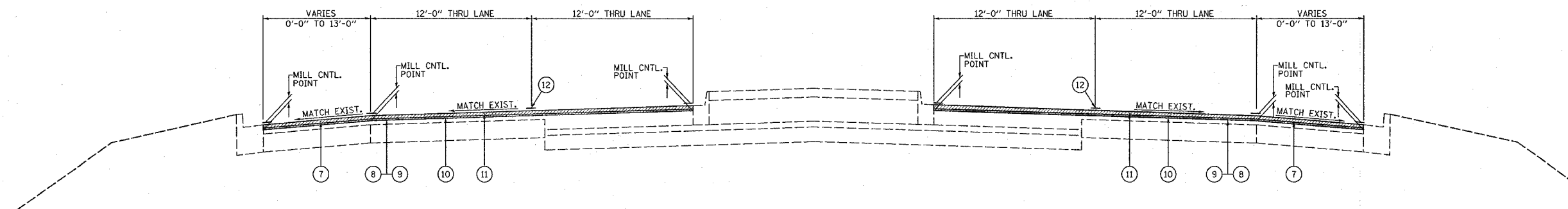


FAU RTE.	SECTION	COUNTY	TOTAL SHEETS	SHEET NO.
9128	28-RS-1	MADISON	14	6
STA.		TO STA.		
FED. ROAD DIST. NO.	ILLINOIS	FED. AID PROJECT		



EXISTING TANGENT TYPICAL SECTION W/ BUS LOADING LANE  
 286+85 TO 288+36 W.B. 286+85 TO 288+48 E.B.  
 294+69 TO 296+23 E.B.



PROPOSED TANGENT TYPICAL SECTION W/ BUS LOADING LANE  
 286+85 TO 288+36 W.B. 286+85 TO 288+48 E.B.  
 294+69 TO 296+23 E.B.

**LEGEND**

- ① EXISTING P.C.C. PAVEMENT - 8"
- ② EXISTING P.C.C. PAVEMENT - 9"
- ③ EXISTING BITUMINOUS OVERLAY - VARIES 3" TO 11 3/4"
- ④ EXISTING CONCRETE COMBINATION C&G T-B 6.24
- ⑤ EXISTING CONCRETE COMBINATION C&G T-M 6.06
- ⑥ EXISTING P.C.C. MEDIAN SURFACE - 4"
- ⑦ PROPOSED BITUMINOUS SURFACE REMOVAL - 2 1/4"
- ⑧ PROPOSED BITUMINOUS MATERIAL (PRIME COAT)
- ⑨ PROPOSED AGGREGATE (PRIME COAT)
- ⑩ PROPOSED LEVELING BINDER (MIN.) - 3/4"
- ⑪ PROPOSED SURFACE COURSE - 1 1/2"
- ⑫ PROPOSED THERMOPLASTIC PAVEMENT MARKING

REVISIONS		ILLINOIS DEPARTMENT OF TRANSPORTATION
NAME	DATE	
		<b>TYPICAL SECTIONS</b> FAU ROUTE 9128 SECTION 28-RS-1 MADISON COUNTY  SCALE: VERT. _____ HORIZ. _____ DATE _____
DRAWN BY _____		CHECKED BY _____

PLOT DATE = 6/30/2008  
 FILE NAME = C:\Users\jw\Documents\76960\28-RS-1\28-RS-1.dgn  
 PLOT SCALE = 1/8" = 1'-0"  
 REFERENCE = #REF#