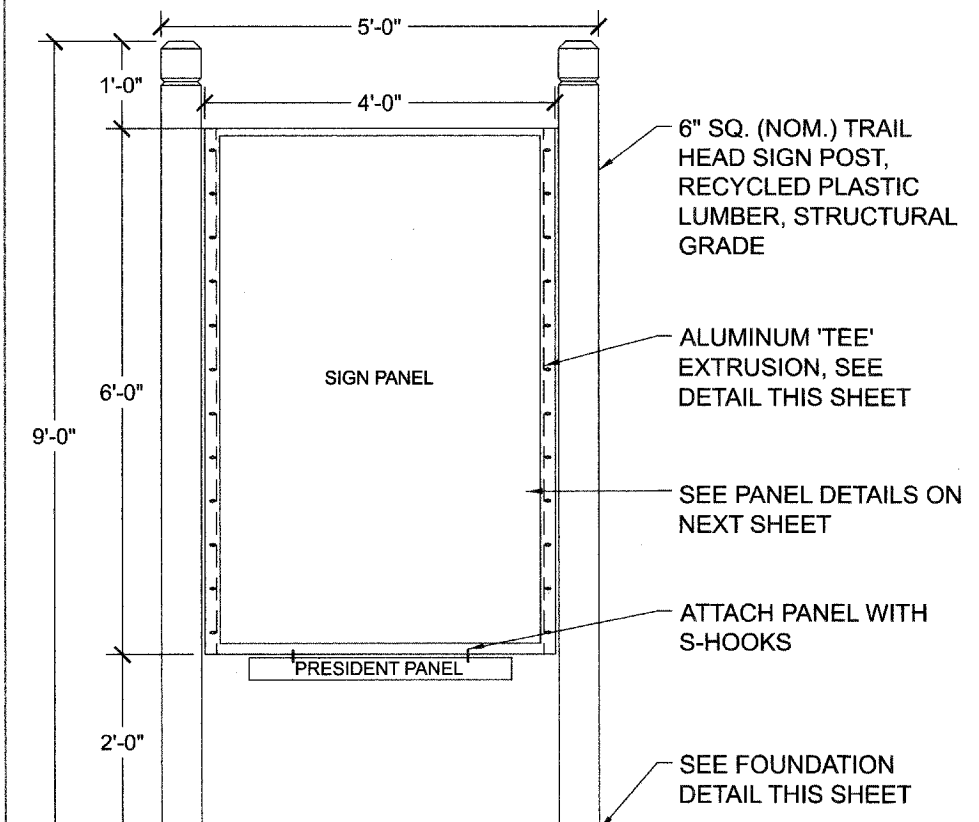
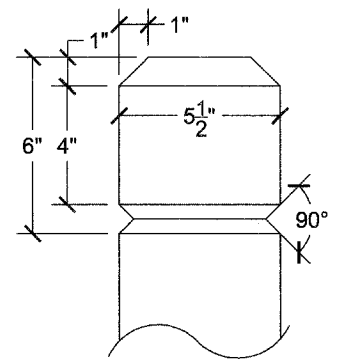


SECTION	COUNTY	TOTAL SHEETS	SHEET NO.
05-F3000-01-BT	COOK	92	47
STA. TO STA.			
IDOT PROJECT NO. CMM-8003(498)			
SALT CREEK GREENWAY TRAIL			
CONTRACT NO. 83667			

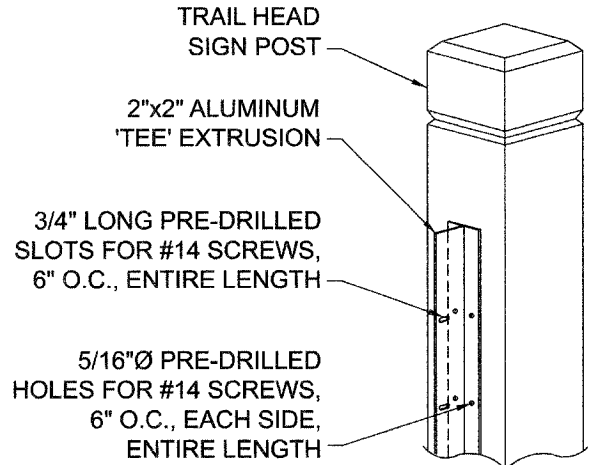


- NOTES:**
- FASTEN TEE TO POST WITH #14 x 1.5" SIX-LOBE SECURITY SCREWS, BUTTON HEAD, TYPE SMS, STAINLESS STEEL AND WASHER.
 - FASTEN SIGN PANEL TO TEE WITH #14 x 1" SIX-LOBE SECURITY SCREWS, BUTTON HEAD, TYPE M/S, STAINLESS STEEL, ONE #14 WASHER AND ONE #14 TAMPER-PROOF NUT AS MANUFACTURED BY GUARD-NUT INC., SERIES 75, PLATED STEEL.

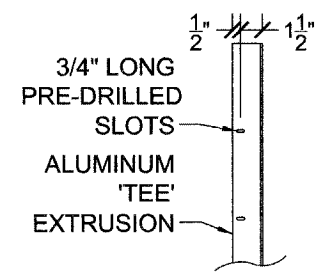
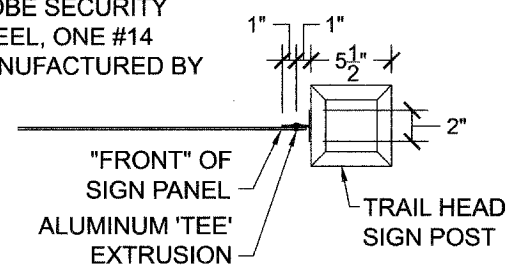
GRAPHIC SAMPLE OF TRAIL HEAD SIGN



POST TOP DETAIL

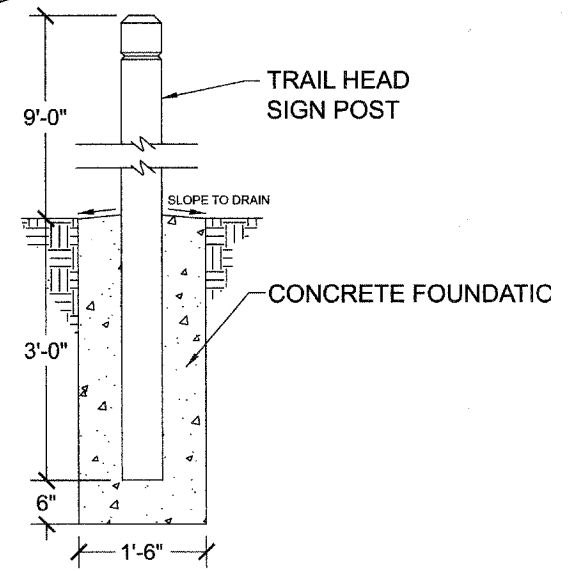


ALUMINUM EXTRUSION



- NOTES:**
- SHOP DRAWINGS SHALL BE SUBMITTED FOR APPROVAL.

1 TRAIL HEAD SIGN
NO SCALE



3 TRAIL HEAD POST FOUNDATION
NO SCALE

2 TRAIL HEAD POST DETAILS
NO SCALE

4 INTERPRETIVE SIGN PANEL
NO SCALE

REVISIONS		
NO.	NAME	DATE

URS CONSULTING ENGINEERS

FOREST PRESERVE DISTRICT OF COOK COUNTY
SALT CREEK GREENWAY TRAIL

DATE: 7/01/05 DRAWN BY: XXX
DESIGNED BY: MIA CHECKED BY: DDL