

STATE OF ILLINOIS
DEPARTMENT OF TRANSPORTATION

ROUTE NO.	SECTION	COUNTY	TOTAL SHEETS	SHEET NO.
2758	*	LAKE	40	27
SHEET NO. - 17				
30 SHEETS				
CONTRACT 83790				
02-00025-00-BR				

BILL OF MATERIAL

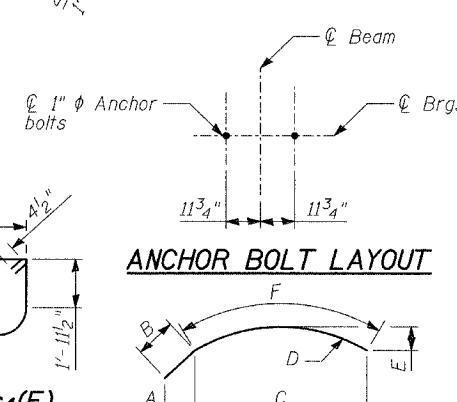
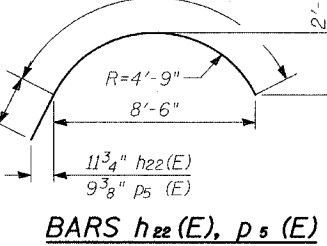
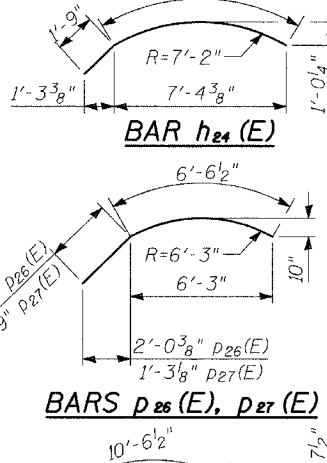
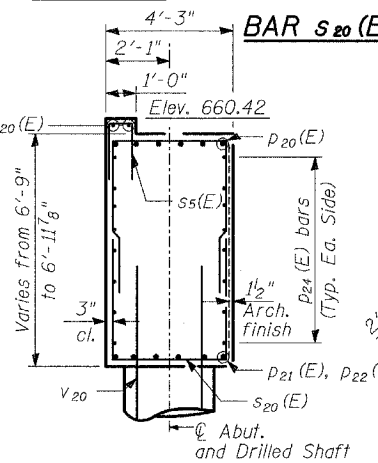
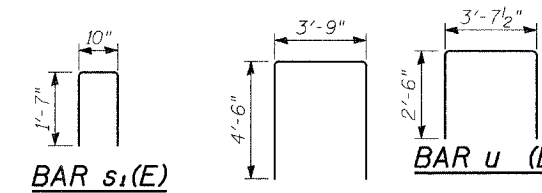
Bar	No.	Size	Length	Shape
h3 (E)	4	#4	9'-2 1/4"	U
h4 (E)	16	#4	3'-6"	U
h6 (E)	4	#4	10'-6 1/2"	U
h20(E)	2	#5	40'-0"	U
h21 (E)	11	#7	11'-6 1/2"	U
h22(E)	12	#5	12'-10"	U
h23(E)	11	#7	11'-5 1/4"	U
h24(E)	12	#5	9'-6"	U
h25(E)	4	#4	8'-8"	U
h26(E)	4	#4	10'-0 1/2"	U
p4 (E)	6	#7	10'-0"	U
p5 (E)	5	#7	12'-3 1/2"	U
p20(E)	8	#8	44'-8"	U
p21(E)	8	#8	39'-8"	U
p22(E)	8	#8	10'-6"	U
p23(E)	8	#8	9'-0"	U
p24(E)	16	#6	44'-8"	U
p25(E)	7	#7	11'-4"	U
p26(E)	1	#7	9'-3"	U
p27(E)	5	#5	8'-3 1/2"	U
s3(E)	8	#4	7'-2"	O
s4(E)	12	#4	10'-0 1/4"	O
s5(E)	40	#5	4'-0"	O
s20(E)	72	#5	12'-9"	O
s21(E)	20	#4	11'-5"	O
v2(E)	42	#4	4'-4"	U
v3(E)	16	#6	5'-2"	U
v20(E)	40	#5	8'-11"	U
v21(E)	24	#6	6'-5"	U
v42(E)	20	#3	3'-8"	U
u (E)	20	#6	8'-7 1/2"	U
sp30	3	#4	26'-7"	W
v20	36	#9	30'-0"	U
Concrete Structures, Spectral			Cu Yd	62.5
Reinforcement Bars, Epoxy Coated			Pound	7270
Reinforcement Bars			Pound	4450
Structure Excavation			Cu Yd	117
Porous Granular Embankment			Cu Yd	183
Drilled Shaft in Soil, 36"			Foot	87.3
Architectural Concrete			Cu Yd	3.3

** Length is height of spiral.

Reinforcement bars designated (E) shall be epoxy coated.

NORTH ABUTMENT

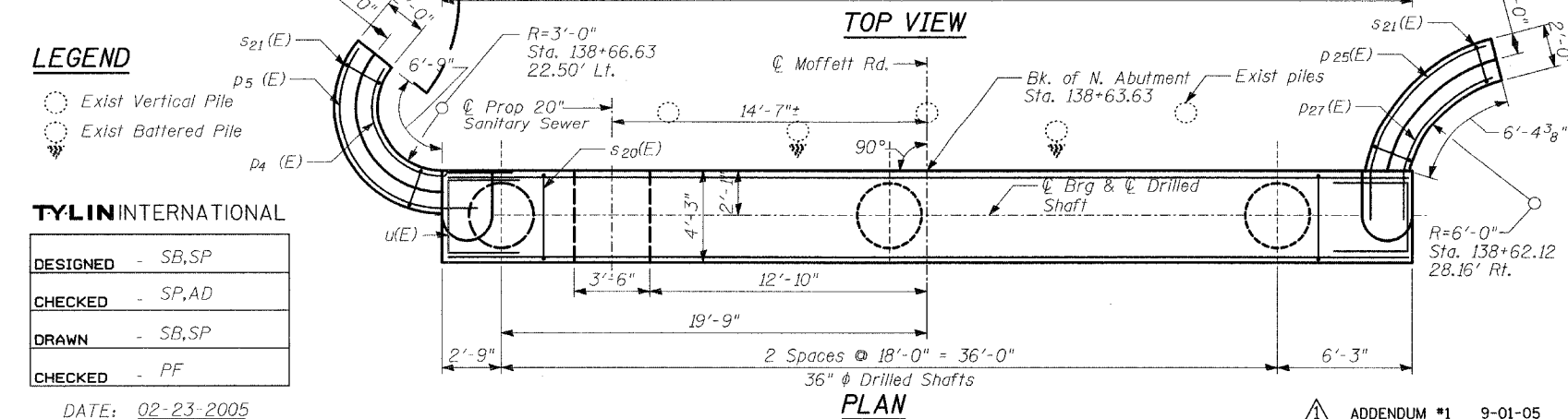
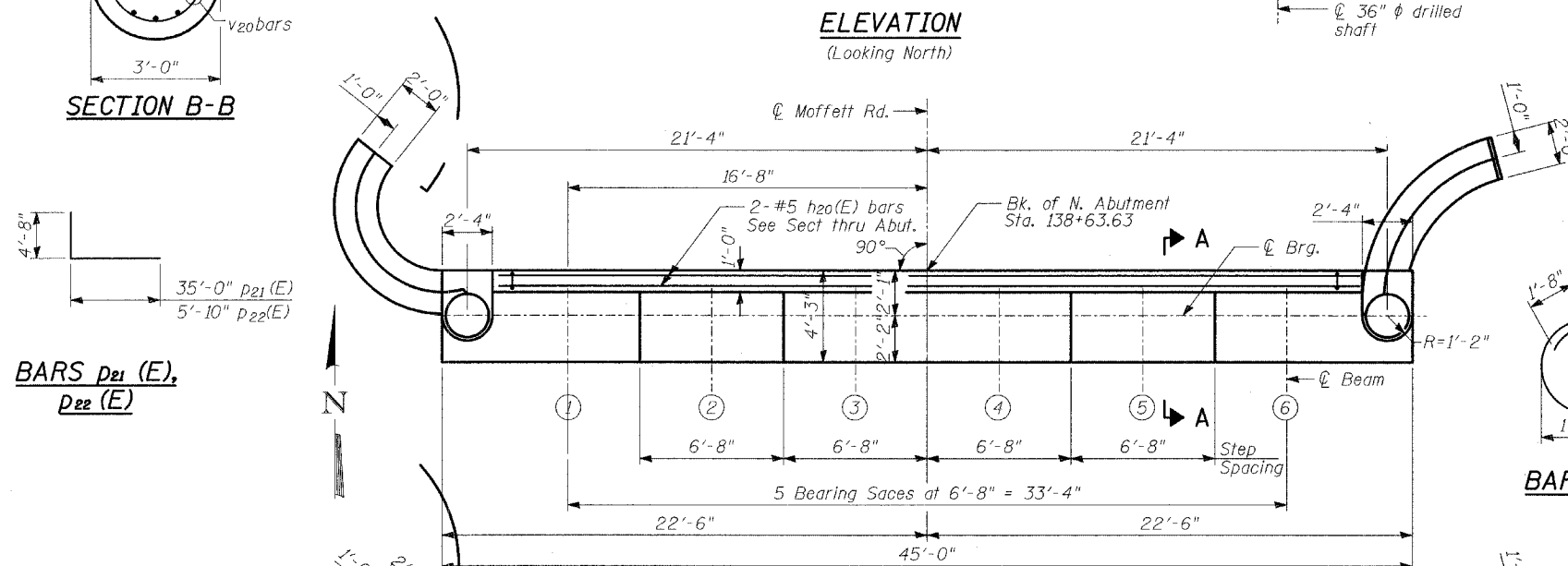
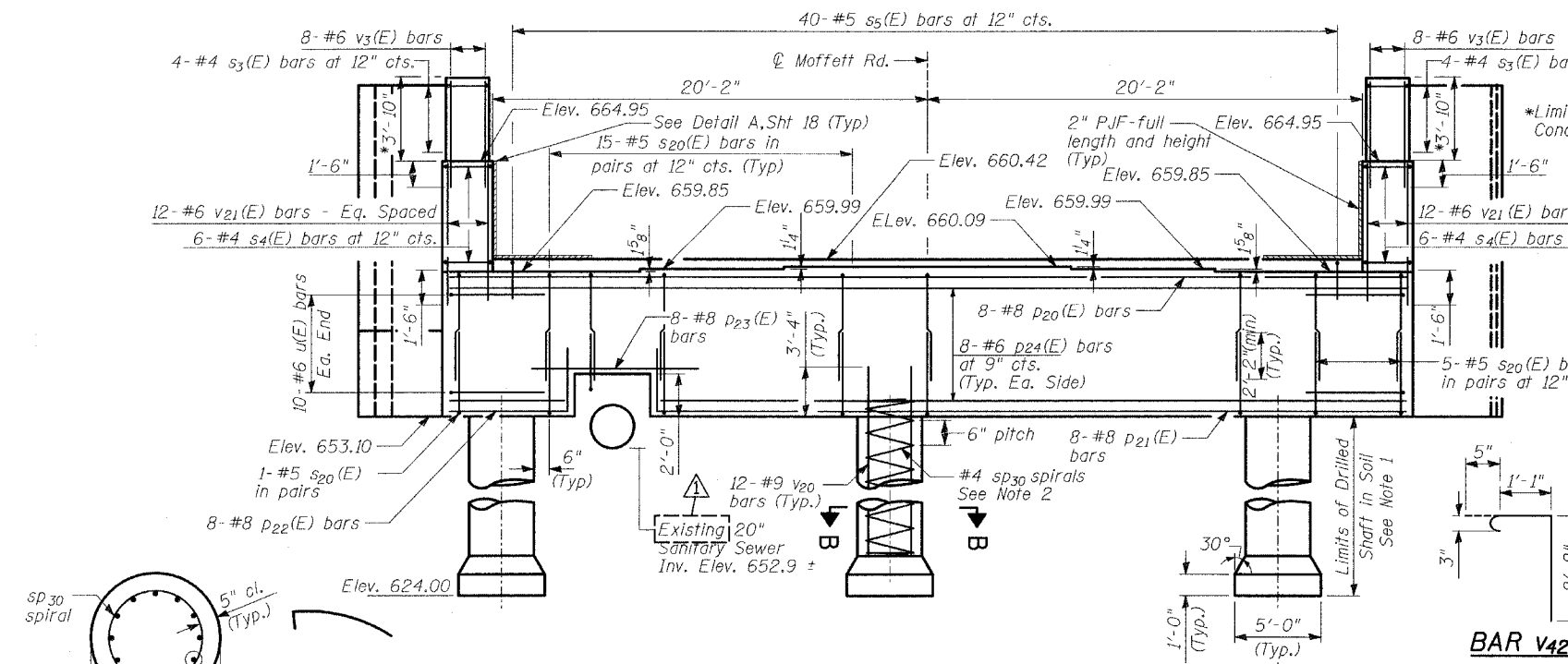
MOFFETT ROAD OVER
DRAINAGE RAVINE
FAU 2758
LAKE COUNTY
S.N. 049-6803



Bar	A	B	C	D	E	F
h21 (E)	11 1/4"	2'-2"	7'-6 1/4"	R=4'-2"	2'-4 1/2"	9'-4 1/2"
h23(E)	2'-1"	2'-10"	8'-2 1/4"	R=7'-10"	1'-1 7/8"	8'-7 1/2"
p4 (E)	1'-3 1/2"	2'-10"	5'-9 1/2"	R=3'-3"	1'-9 1/4"	7'-2"
p6 (E)	1'-3 1/4"	2'-10"	8'-6"	R=4'-9"	2'-7 1/2"	10'-6 1/2"
p25(E)	2'-1"	2'-10"	8'-1"	R=7'-9"	1'-1 5/8"	8'-6"

NOTES

- The quantities and detailing are based on the estimated elevations shown on the plans. The actual elevations may differ at each shaft and corresponding adjustments shall be made to the drilled shaft and reinforcement quantities and payment limits.
- Provide 1/2 extra turns top and bottom of each drilled shaft. Extend spiral 2" into abutment cap. Provide min. 4-#4 spacers or equivalent.
- Min. lap for spirals = 1'-8"
- Provide Temporary casing to Elev. 631, included in the cost for Drilled Shaft in Soil, 36".
- Space reinforcement in cap to miss anchor bolts.
- Pour steps monolithically with cap.
- Contractor shall be responsible for the design, installation, and subsequent removal of any temporary embankment or support system as required to provide equipment access for drilled shaft installation. Cost shall be included in the unit price for Drilled Shaft in Soil, 36".



LEGEND

- Exist Vertical Pile
- Exist Battered Pile

TYLIN INTERNATIONAL

DESIGNED	- SB, SP
CHECKED	- SP, AD
DRAWN	- SB, SP
CHECKED	- PF

DATE: 02-23-2005

ADDENDUM #1 9-01-05