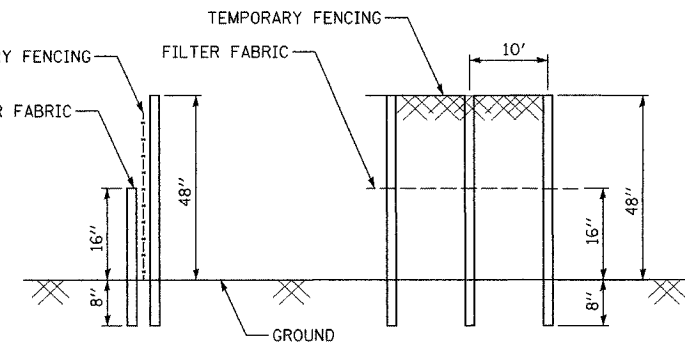
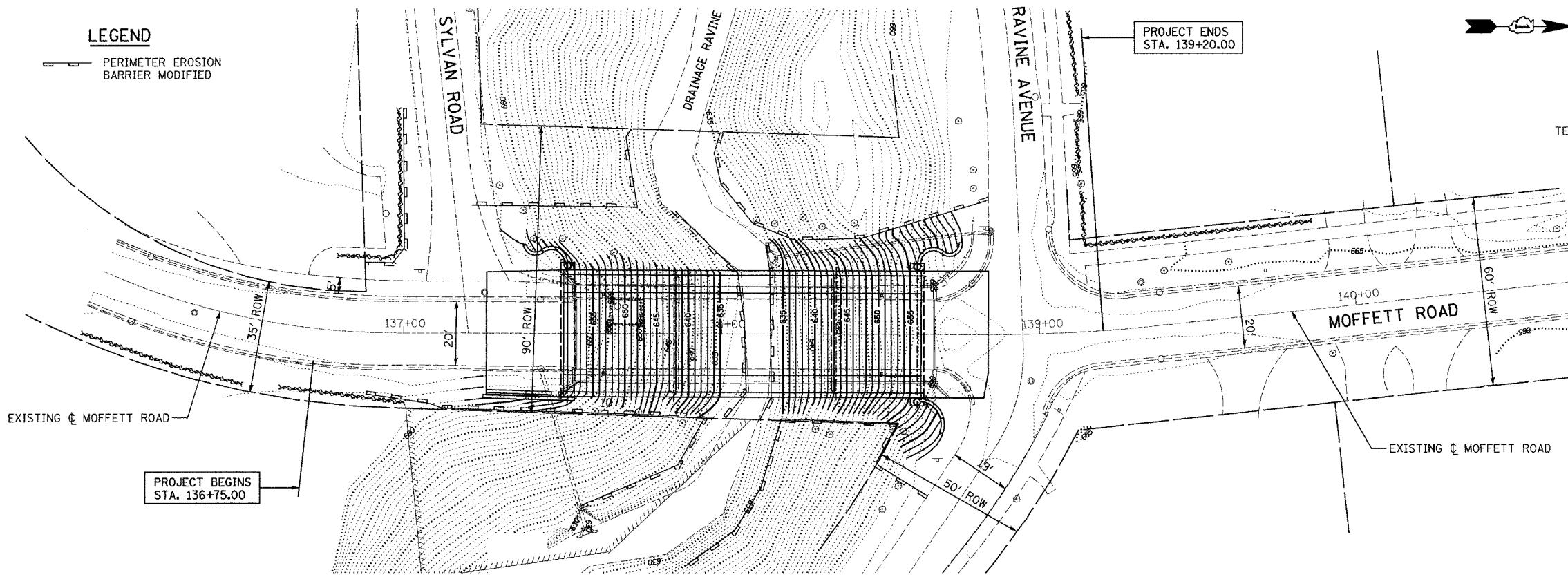


F.A.U. RTE.	SECTION	COUNTY	TOTAL SHEETS	SHEET NO.
2758 D2-00025-00-BR	LAKE	40	9	
STA.	TO STA.			
FED. ROAD DIST. NO.	ILLINOIS	FED. AID PROJECT		
CONTRACT NO. 83790				

**LEGEND**

PERIMETER EROSION BARRIER MODIFIED



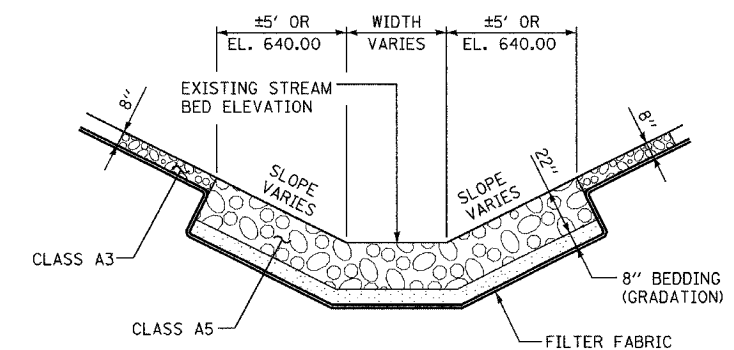
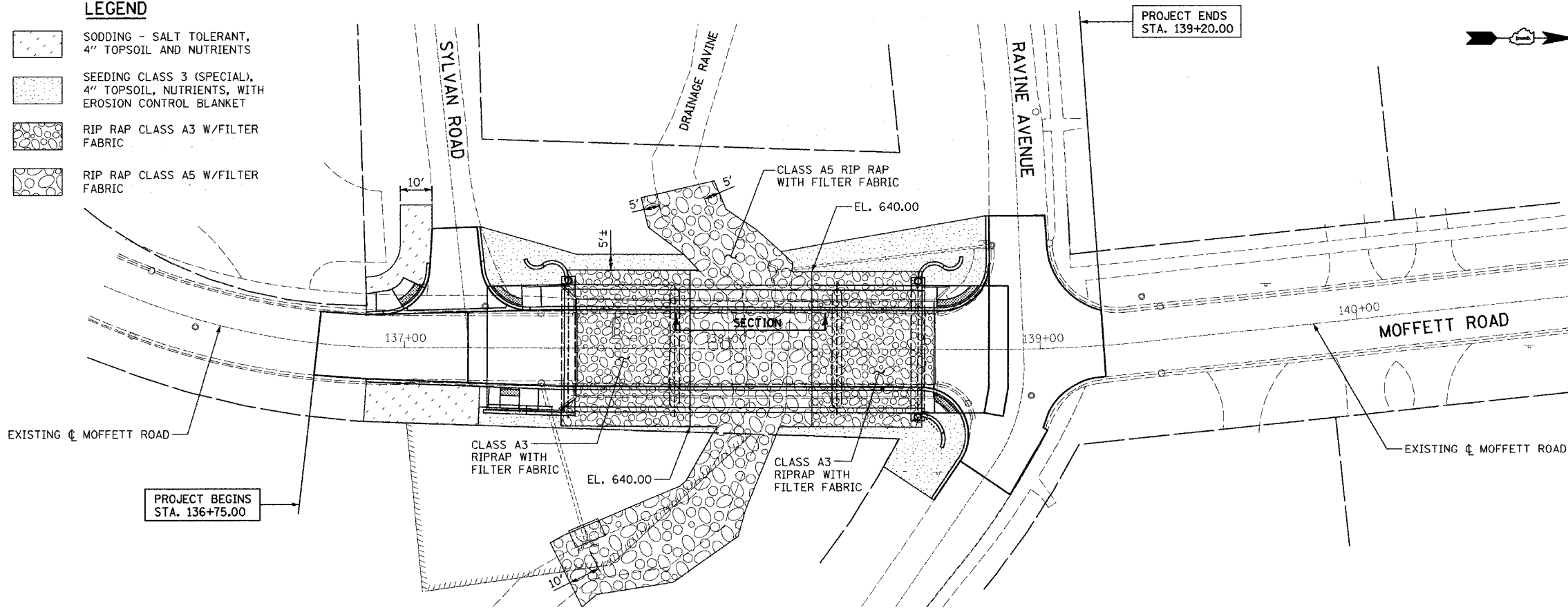
**PERIMETER EROSION BARRIER, MODIFIED DETAIL**

1. TEMPORARY FENCE SHALL BE FASTENED SECURELY TO THE FENCE POSTS WITH WIRE TIES.
2. FILTER FABRIC SHALL BE FASTENED SECURELY TO THE TEMPORARY FENCE WITH WIRE TIES.

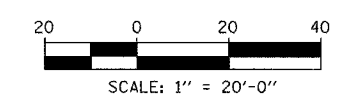
**GRADING PLAN**

**LEGEND**

- SODDING - SALT TOLERANT, 4" TOPSOIL AND NUTRIENTS
- SEEDING CLASS 3 (SPECIAL), 4" TOPSOIL, NUTRIENTS, WITH EROSION CONTROL BLANKET
- RIP RAP CLASS A3 W/FILTER FABRIC
- RIP RAP CLASS A5 W/FILTER FABRIC



**SECTION CLASS A5 RIPRAP**



REVISIONS	
NAME	DATE

ILLINOIS DEPARTMENT OF TRANSPORTATION  
**MOFFETT ROAD BRIDGE OVER DRAINAGE RAVINE**  
**GRADING AND LANDSCAPING PLAN**

SCALE: 1"=20'-0"

DATE: 02-02-05

DRAWN BY: BK  
 CHECKED BY: DAJ