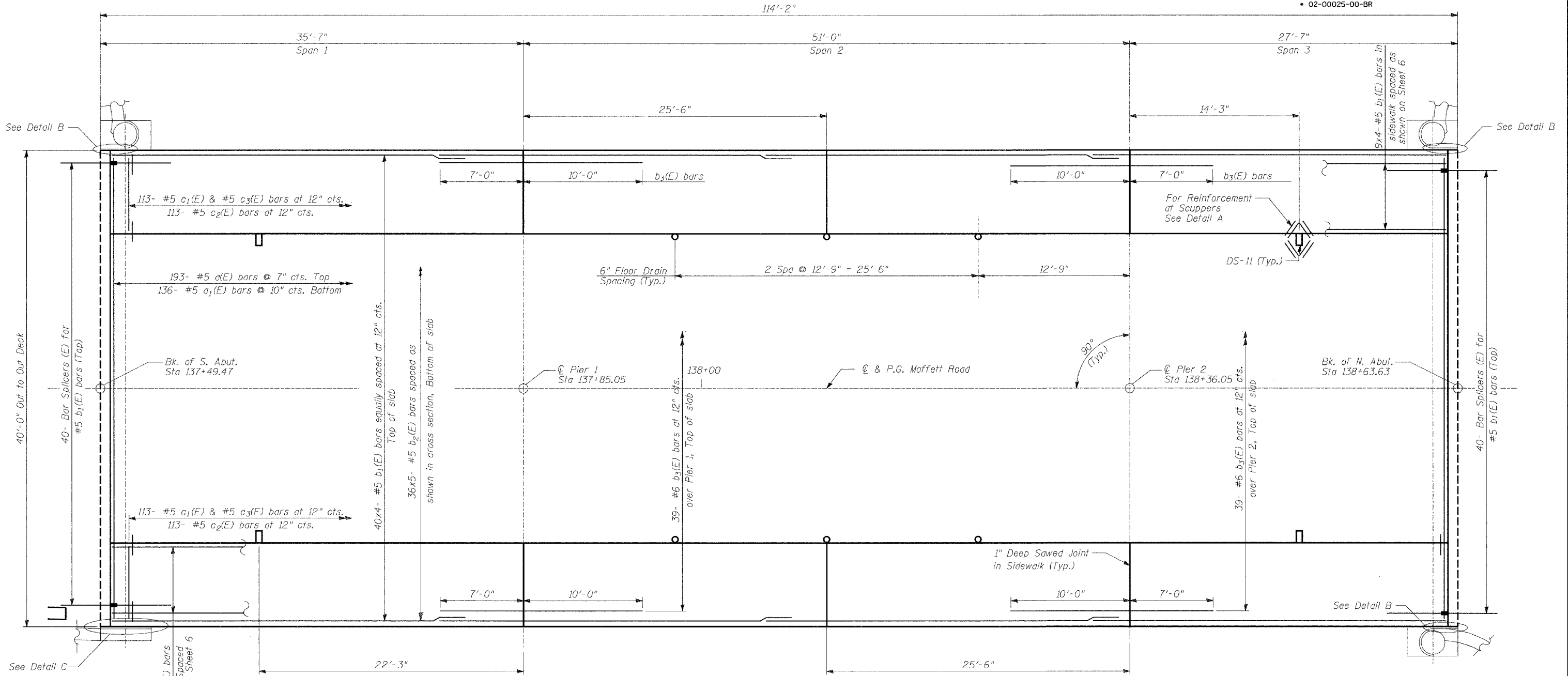


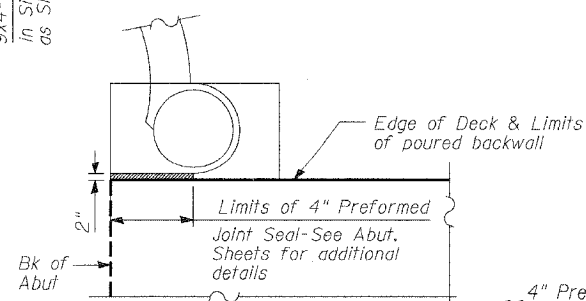
STATE OF ILLINOIS
DEPARTMENT OF TRANSPORTATION

ROUTE NO.	SECTION	COUNTY	TOTAL SHEETS	SHEET NO.	SHEET NO. - 5
2758	*	LAKE	40	15	30 - SHEETS
FED. ROAD DIST. NO.	ILLINOIS	FED. AID PROJECT-	CONTRACT 83790		

• 02-00025-00-BR

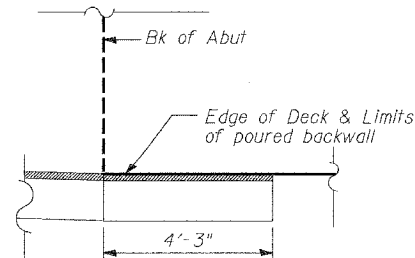


PLAN



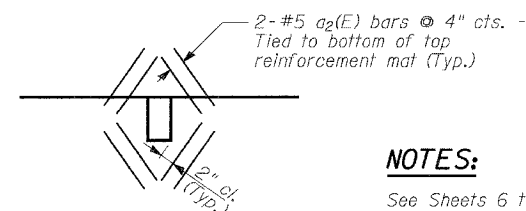
DETAIL B

South Abutment, west edge of deck shown, similar at North Abutment, west edge of deck and east edge of deck



DETAIL C

Note:
Work Details B and C with Sheets 16 and 18.



DETAIL A

Cut Longitudinal reinforcement to clear drainage scuppers.

NOTES:

See Sheets 6 to 10 for additional superstructure details.

For Bill of Material, See Sheet 6.

Bars indicated thus: 20 x 3- #5 etc. indicates 20 lines of bars with 3 lengths per line.

Reinforcement bars designated (E) shall be epoxy coated.

Minimum lap splice for #5 bars shall be 2'-2".

TYLIN INTERNATIONAL

DESIGNED	- DE
CHECKED	- SP
DRAWN	- DE
CHECKED	- PF

DATE: 02-23-2005

SUPERSTRUCTURE

MOFFETT ROAD OVER
DRAINAGE RAVINE
FAU 2758
LAKE COUNTY
S.N. 049-6803