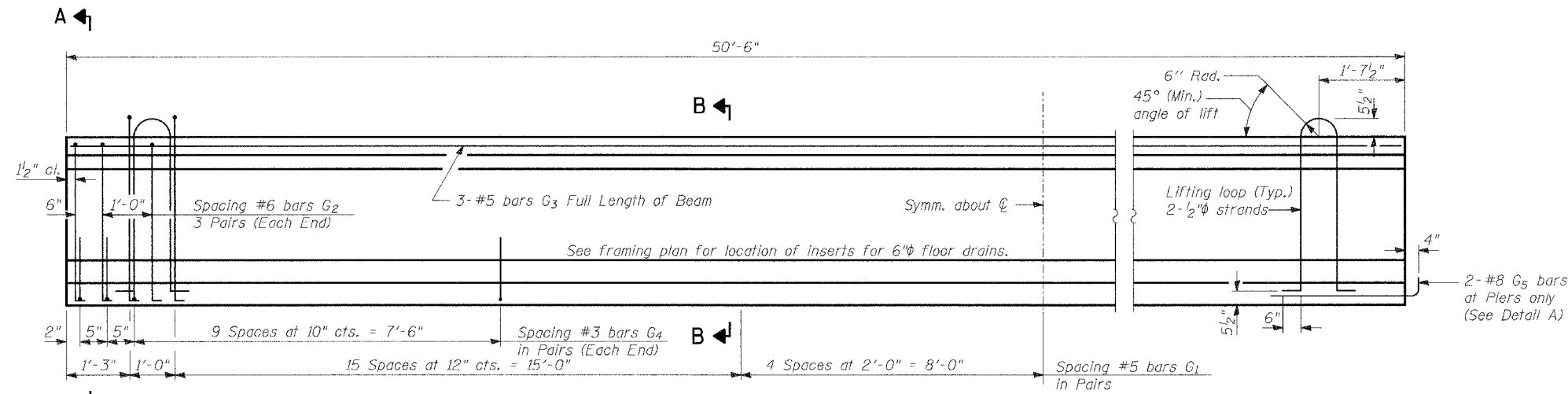


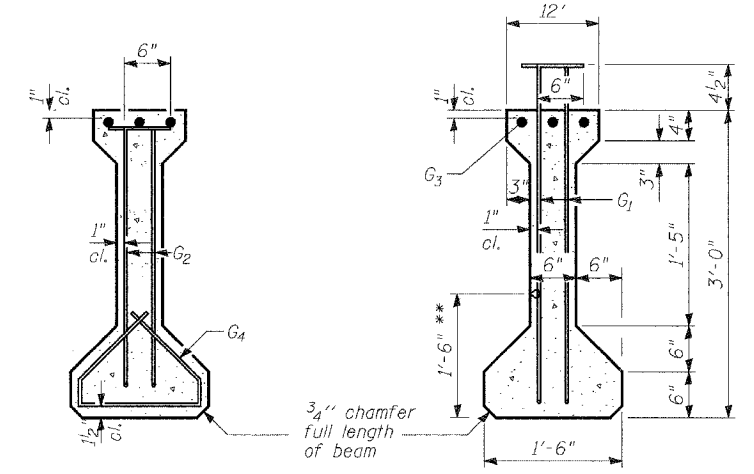
STATE OF ILLINOIS
DEPARTMENT OF TRANSPORTATION

ROUTE NO.	SECTION	COUNTY	TOTAL SHEETS	SHEET NO.
2758	*	LAKE	40	22
FED. ROAD DIST. NO.	ILLINOIS	FED. AID PROJECT	CONTRACT 83790	

• 02-00025-00-BR



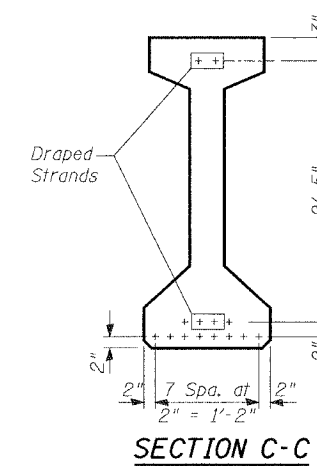
ELEVATION OF BEAM
(Showing Reinforcement & Dimensions)



SECTION A-A

SECTION B-B

** Location of insert for 6" floor drain. For additional details see sht 6 of 30.



SECTION C-C

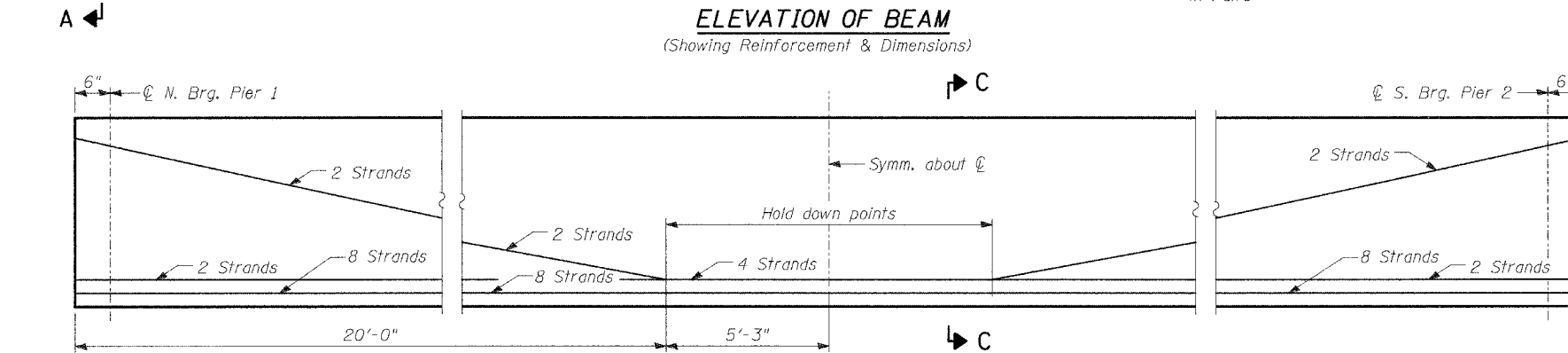
*** BAR LIST (1)**

Bar	No.	Size	Length	Shape
G1	82	#5	4'-2 1/2"	TL
G2	12	#6	3'-7"	TL
G3	3	#5	50'-2"	—
G4	48	#3	2'-7"	—
G5	4	#8	3'-6"	—

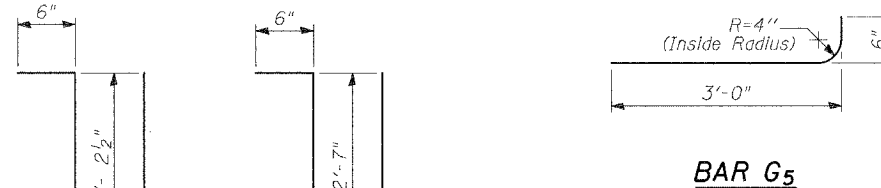
(1) For one beam only.

BILL OF MATERIAL

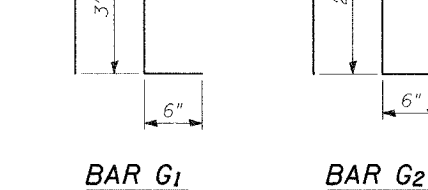
Item	Unit	Total
Furnishing and Erecting Precast Prestressed Concrete I-Beams, 36"	Ft.	303'-0"



ELEVATION OF BEAM
(Showing Prestressing Steel)

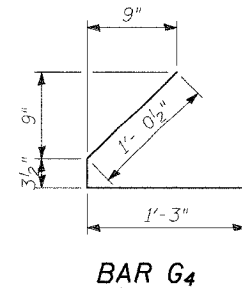


BAR G5



BAR G1

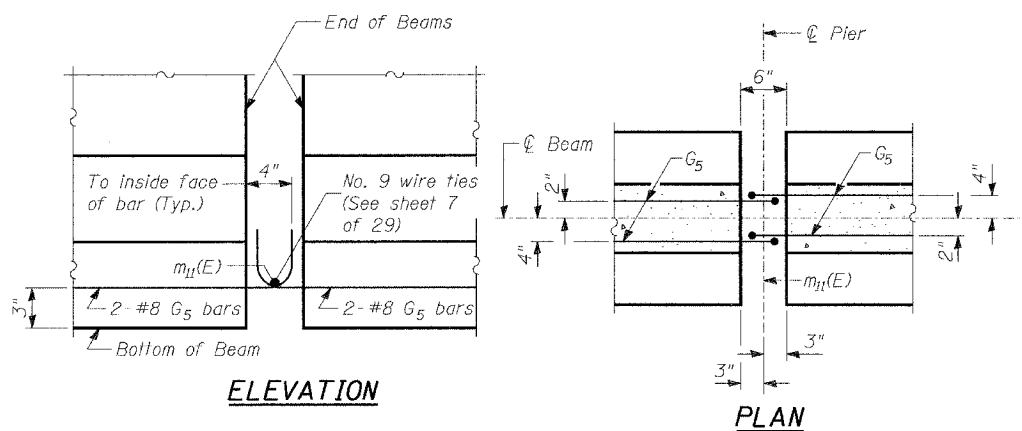
BAR G2



BAR G4

NOTES

- All inserts and threaded dowel rods for inserts, reinforcing and Prestressing Steel, and other items which are cast into the Precast Concrete I-Beams shall be included in the contract unit price per foot of "Furnishing and Erecting Precast Prestressed Concrete I-Beams, 36 in."
- Inserts for 3/4" threaded dowel rods are to be two strut, coil type for interior I-Beams and single coil, flared loop type for exterior I-Beams.
- Prestressing steel shall be uncoated high strength, low relaxation 7-wire strand, Grade 270.
- The nominal diameter shall be 1/2" and the nominal cross-sectional area shall be 0.153 sq. in.
- Non-prestressing steel shall conform to AASHTO designation M-31, M-42 or M-53 Grade 60.
- Lifting loops shall be 2 - 1/2" - 270 ksi strand, as shown.
- Required release strength, f'ci, shall be 5,000 psi.
- Reinforcement bars designated (E) shall be epoxy coated.



ELEVATION

PLAN

DETAIL "A"

TYLIN INTERNATIONAL

DESIGNED	- DE
CHECKED	- SP
DRAWN	- DE
CHECKED	- PF

DATE: 01-28-2005

BEAM DETAILS - SPAN 2

MOFFETT ROAD OVER
DRAINAGE RAVINE
FAU 2758
LAKE COUNTY
S.N. 049-6803