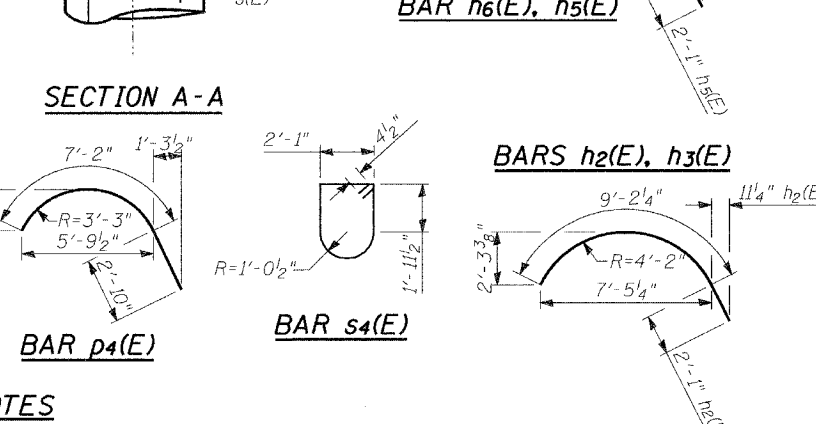
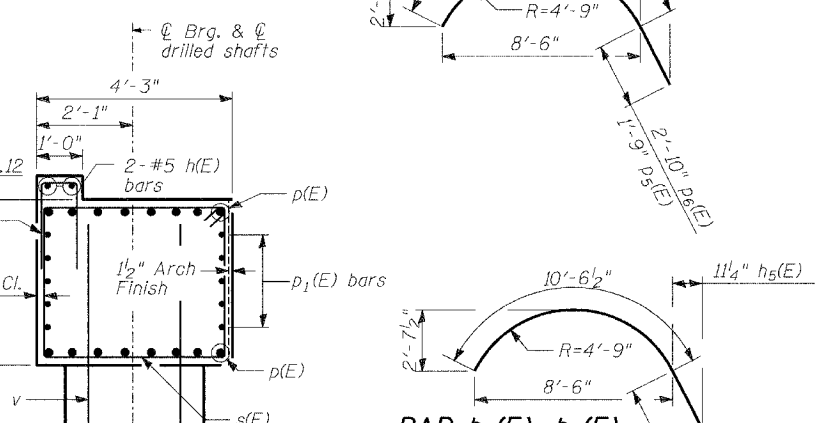
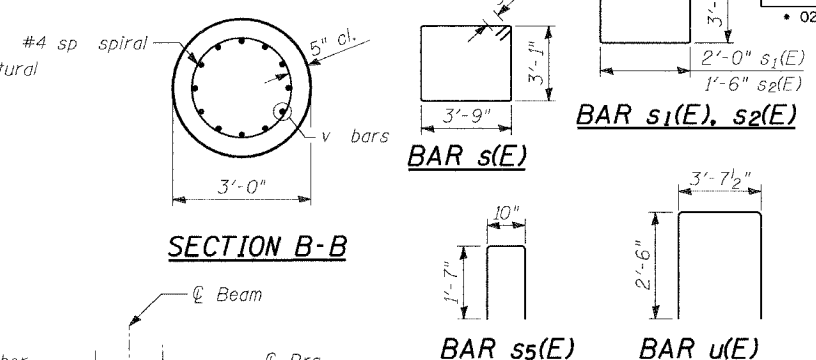
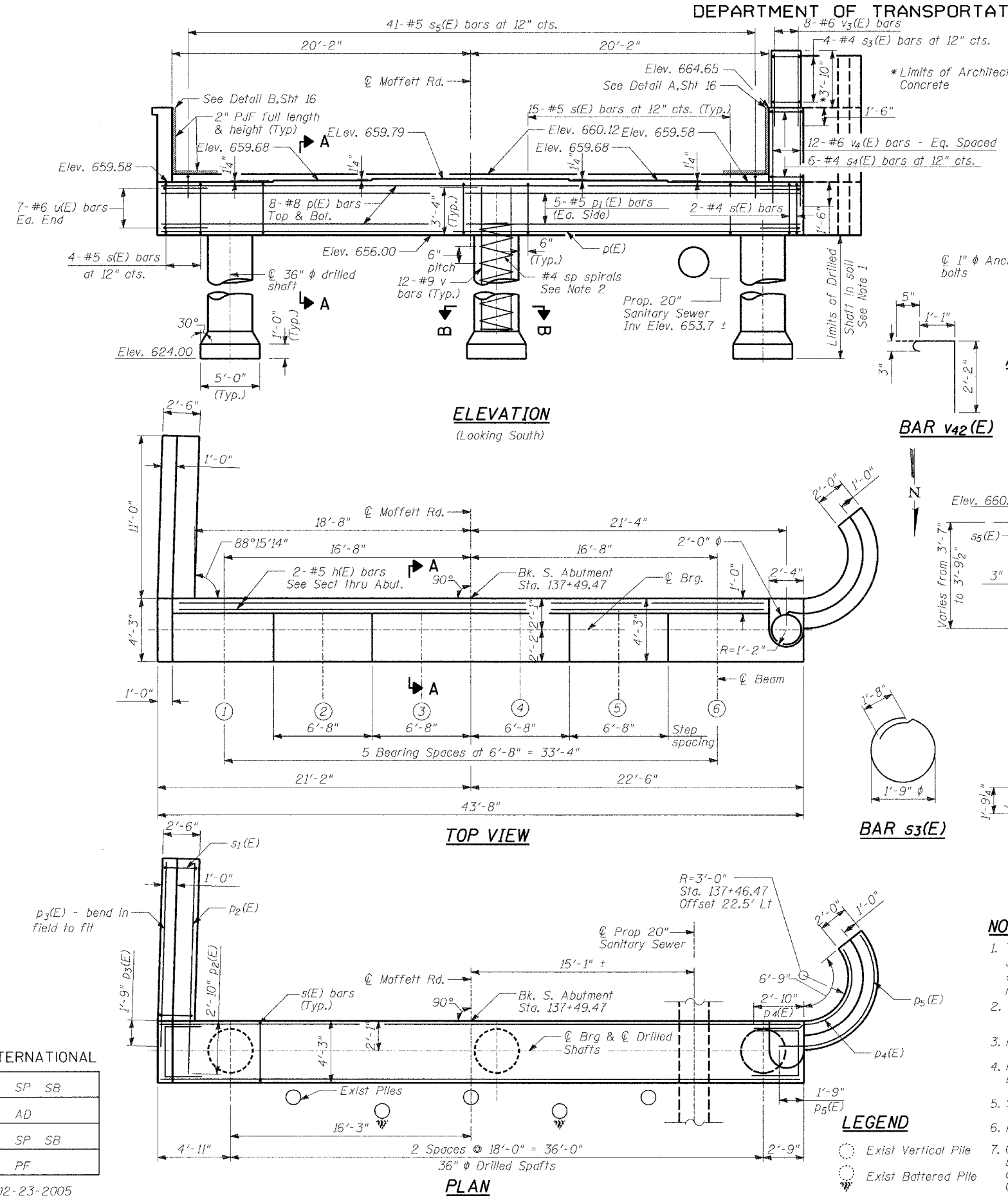


STATE OF ILLINOIS
DEPARTMENT OF TRANSPORTATION

ROUTE NO.	SECTION	COUNTY	TOTAL SHEETS	SHEET NO.	SHEET NO. - 15
2758	*	LAKE	40	25	30 - SHEETS
FED. ROAD DIST. NO.	ILLINOIS	FED. AID PROJECT-	CONTRACT B3790		

02-00025-00-BR **BILL OF MATERIAL**



Bar	No.	Size	Length	Shape
h(E)	2	#5	40'-0"	—
h1(E)	17	#6	14'-11"	—
h2(E)	8	#6	11'-3 1/4"	—
h3(E)	4	#4	9'-2 1/4"	—
h4(E)	8	#4	3'-6"	—
h5(E)	9	#6	12'-7 1/2"	—
h6(E)	4	#4	10'-6 1/2"	—
p(E)	16	#8	43'-4"	—
p1(E)	10	#5	43'-4"	—
p2(E)	7	#7	13'-8"	—
p3(E)	4	#5	12'-7"	—
p4(E)	5	#7	10'-0"	—
p5(E)	4	#5	12'-3 1/2"	—
p6(E)	2	#7	13'-4 1/2"	—
s(E)	36	#5	14'-7"	—
s1(E)	15	#4	10'-11"	—
s2(E)	10	#4	9'-11"	—
s3(E)	4	#4	7'-2"	—
s4(E)	6	#4	10'-0 1/4"	—
s5(E)	41	#5	4'-0"	—
v(E)	34	#5	6'-1"	—
v1(E)	20	#5	6'-2"	—
v2(E)	21	#4	4'-4"	—
v3(E)	8	#6	5'-2"	—
v4(E)	12	#6	6'-4"	—
v42(E)	27	#3	3'-8"	—
u(E)	14	#6	8'-7 1/2"	—
sp	3	#4	29'-6"	—
v	36	#9	32'-8"	—
Concrete Structures, Special		Cu Yd	38.7	
Reinforcement Bars, Epoxy Coated		Pound	5360	
Reinforcement Bars		Pound	4845	
Structure Excavation		Cu Yd	126	
Porous Granular Embankment		Cu Yd	93	
Drilled Shaft in Soil, 36"		Foot	96	
Architectural Concrete		Cu Yd	1.6	

** Length is height of spiral.
Reinforcement bars designated (E) shall be epoxy coated.

- NOTES**
- The quantities and detailing are based on the estimated elevations shown on the plans. The actual elevations may differ at each shaft and corresponding adjustments shall be made to the drilled shaft and reinforcement quantities and payment limits.
 - Provide 1 1/2 extra turns top and bottom of each drilled shaft. Extend spiral 2" into abutment cap. Provide min. 4-#4 spacers or equivalent.
 - Min. lap for spirals = 1'-8".
 - Provide Temporary casing to Elev. 631, included in the cost for Drilled Shaft in Soil, 36".
 - Space reinforcement in cap to miss anchor bolts.
 - Pour steps monolithically with cap.
 - Contractor shall be responsible for the design, installation, and subsequent removal of any temporary embankment or support system as required to provide equipment access for drilled shaft installation. Cost shall be included in the unit price for Drilled Shaft in Soil, 36".
 - See Sheet 26 of 30 for Architectural Finish details.

TYLIN INTERNATIONAL

DESIGNED	- SP SB
CHECKED	- AD
DRAWN	- SP SB
CHECKED	- PF

DATE: 02-23-2005

SOUTH ABUTMENT

MOFFETT ROAD OVER
DRAINAGE RAVINE
FAU 2758
LAKE COUNTY
S.N. 049-6803

LEGEND

- Exist Vertical Pile
- Exist Battered Pile