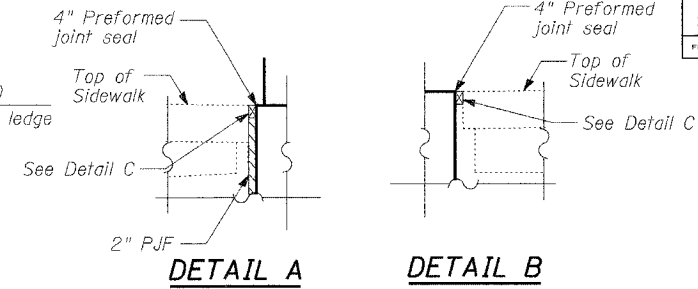
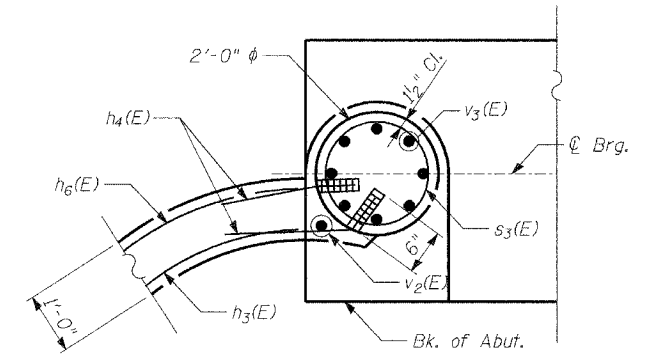
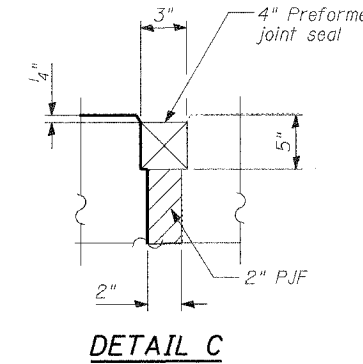


STATE OF ILLINOIS
DEPARTMENT OF TRANSPORTATION

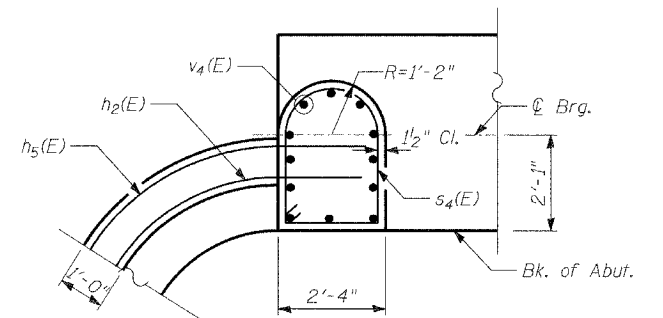
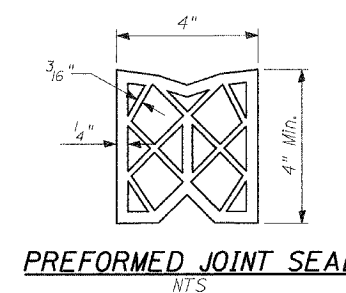
ROUTE NO.	SECTION	COUNTY	TOTAL SHEETS	SHEET NO.	SHEET NO. - 16 30 - SHEETS CONTRACT 83790
2758		LAKE	40	26	
FED. ROAD DIST. NO.		ILLINOIS	FED. AID PROJECT -		
• 02-00025-00-BR					



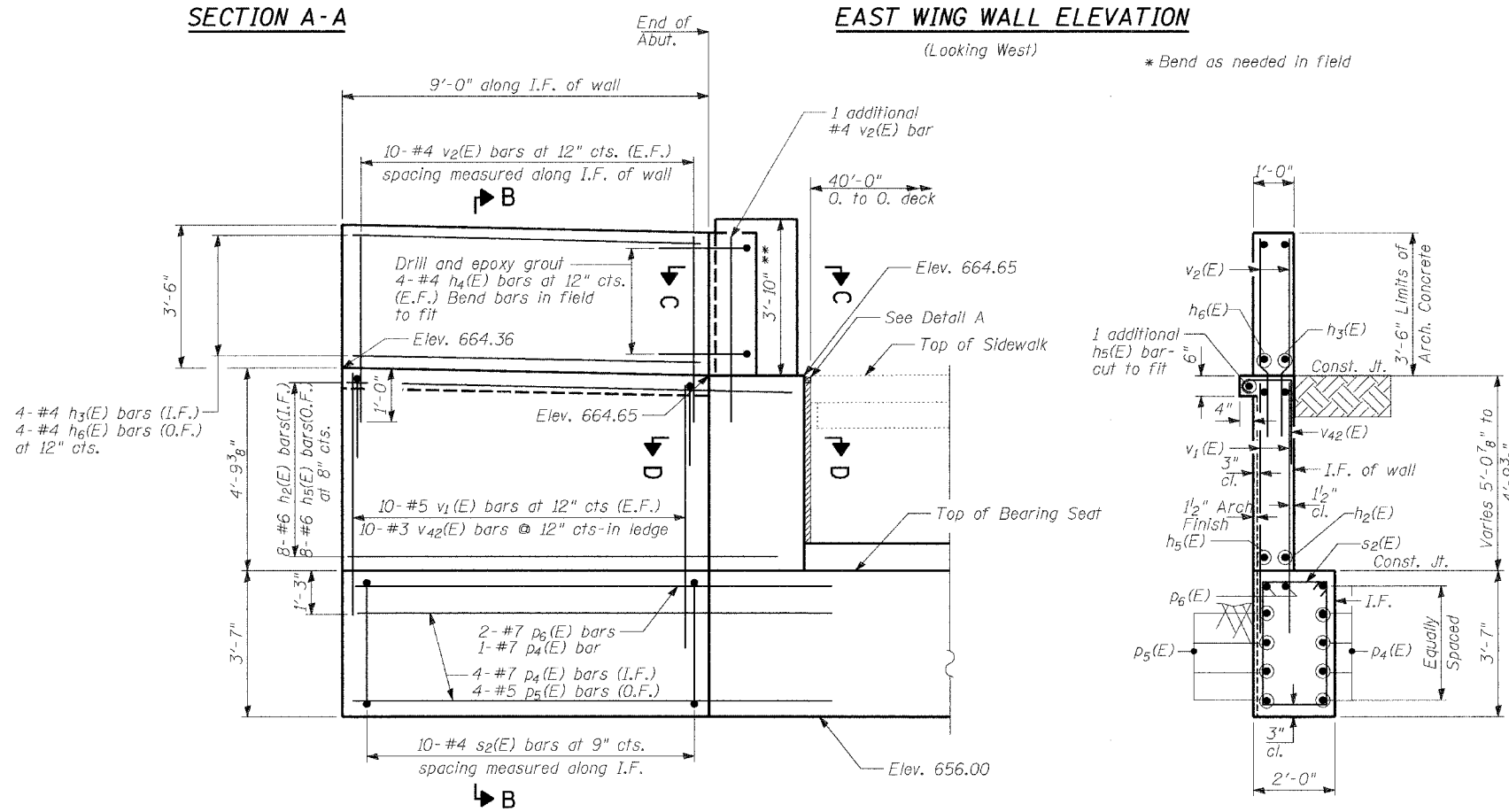
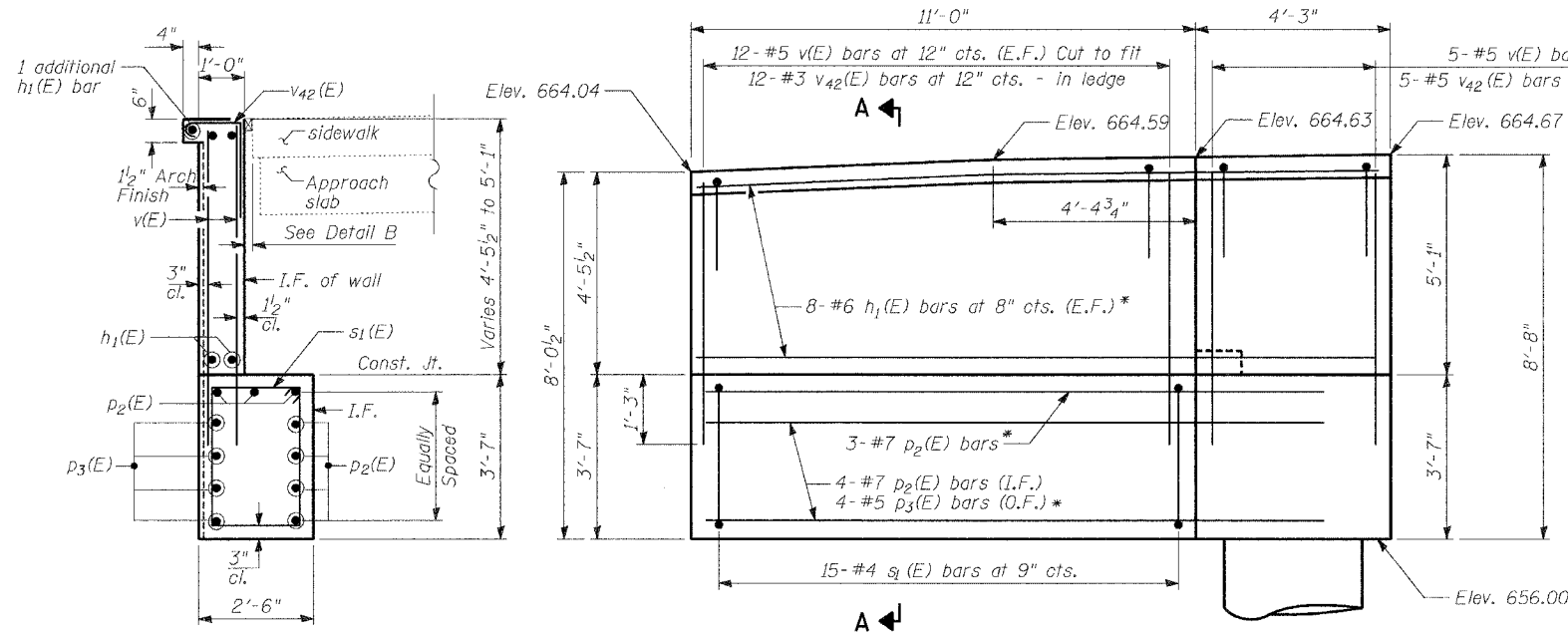
Note:
4" Preformed joint seal shall be included in the cost of Concrete Structures, Special. Installation of the Preformed joint seal shall be in accordance with 503.10d of the Standard Specifications. Material shall be in accordance with Section 1053 of the Standard Specifications



Note:
Epoxy grout bars in 6 inch deep minimum drilled holes according to Section 584 of the Standard Specifications. Cost shall be included in Concrete Structures, Special.



NOTES
For Architectural finish, see Sheet 26.



TYLIN INTERNATIONAL

DESIGNED	- SP
CHECKED	- AD
DRAWN	- SP
CHECKED	- PF

DATE: 02-23-2005

SOUTH ABUTMENT DETAILS

MOFFETT ROAD OVER
DRAINAGE RAVINE
FAU 2758
LAKE COUNTY
S.N. 049-6803