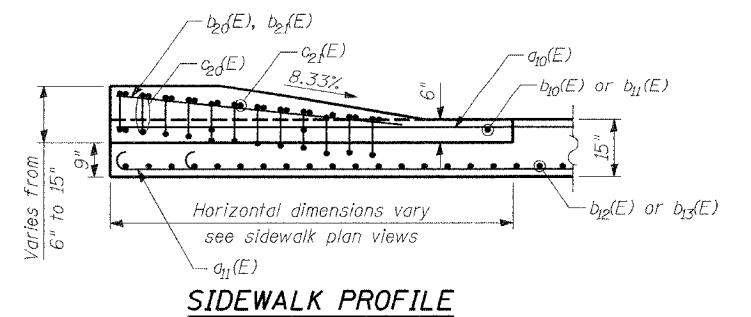
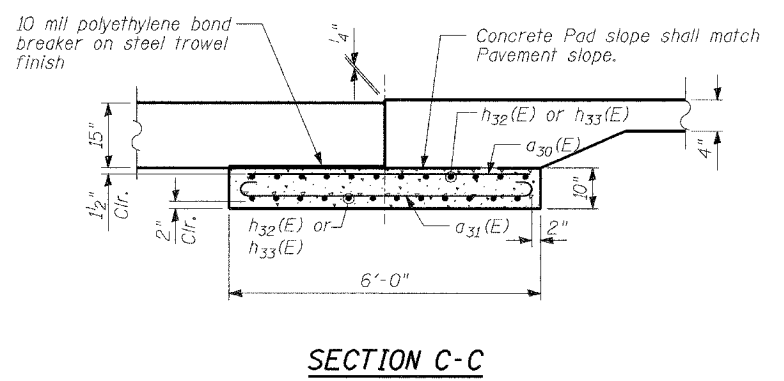
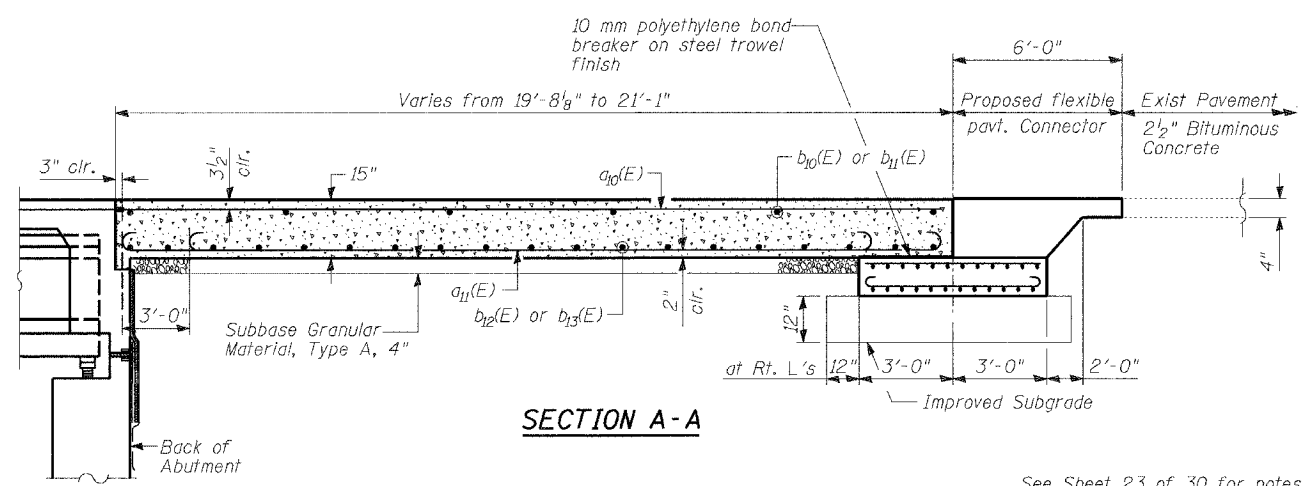
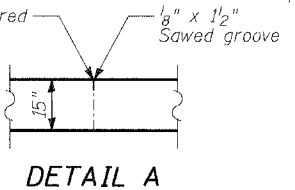
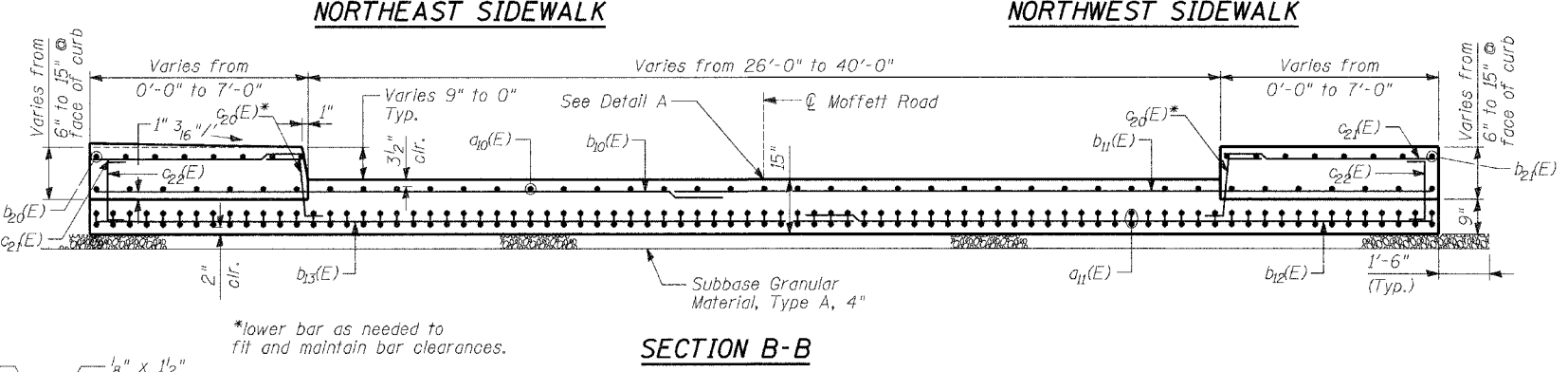
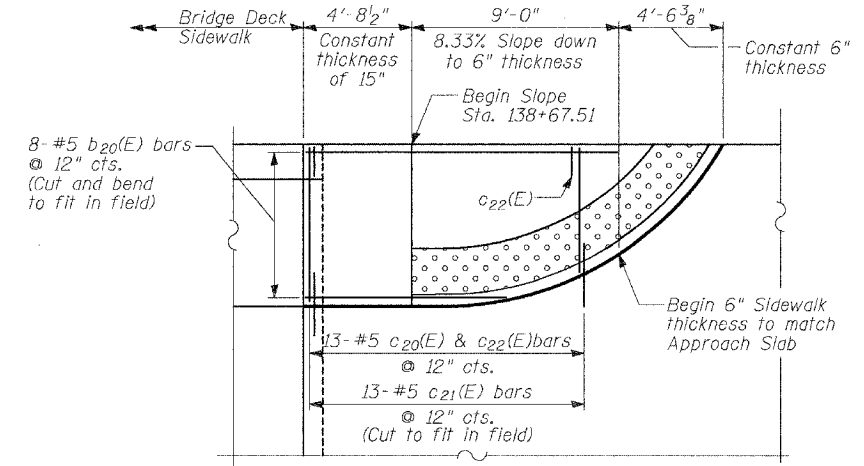
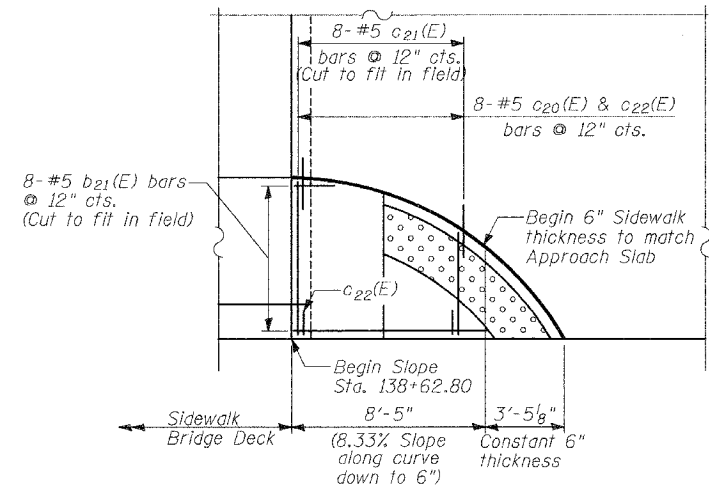
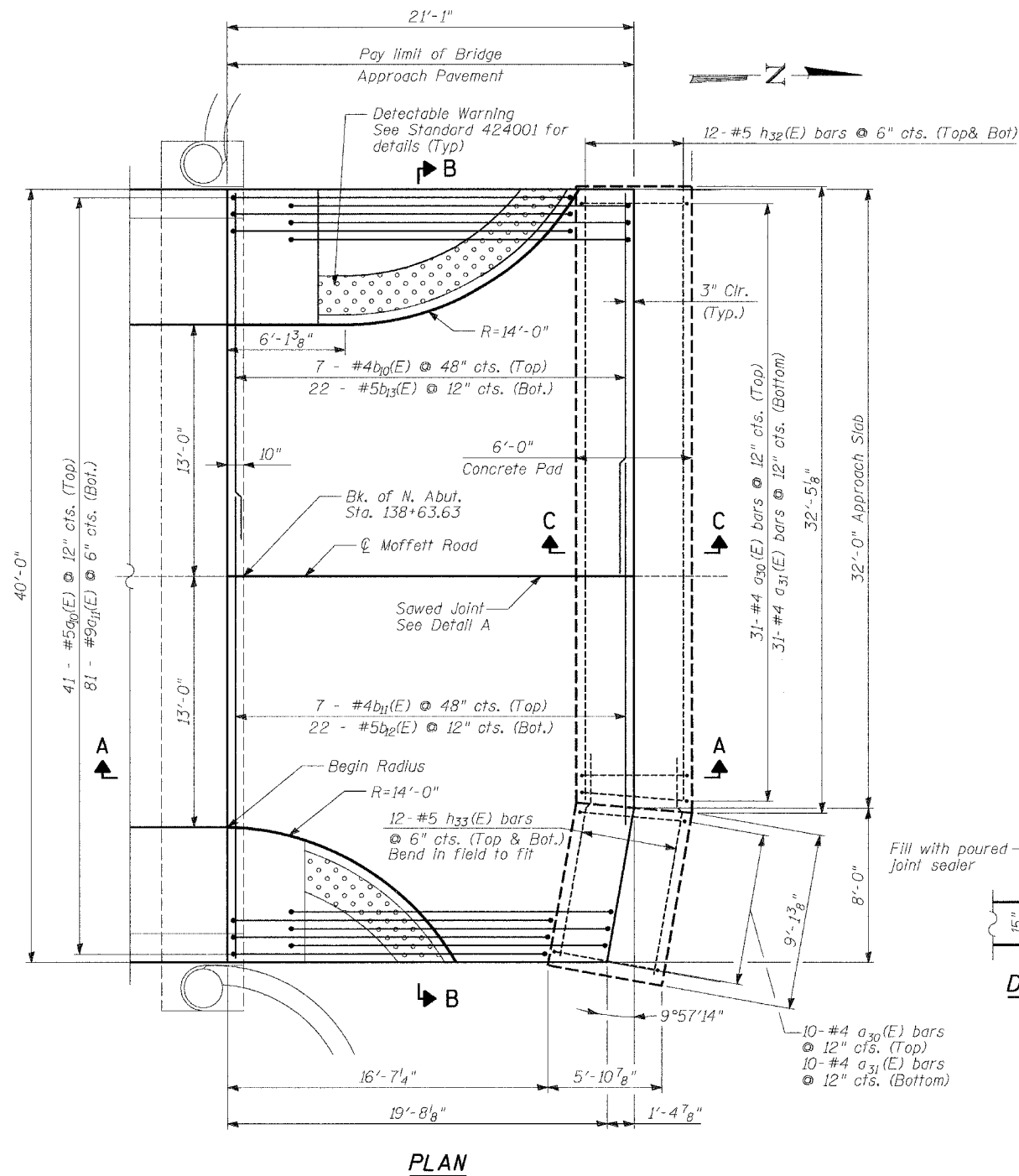


STATE OF ILLINOIS  
DEPARTMENT OF TRANSPORTATION

ROUTE NO.	SECTION	COUNTY	TOTAL SHEETS	SHEET NO.	SHEET NO. - 24
2758	*	LAKE	40	34	30 - SHEETS
FED. ROAD DIST. NO.	FLTHDSE	FED. AID PROJECT-	CONTRACT 83790		

• 02-00025-00-BR



See Sheet 23 of 30 for notes.

**NORTH APPROACH PAVEMENT**

MOFFETT ROAD OVER DRAINAGE RAVINE  
FAU 2758  
LAKE COUNTY  
S.N. 049-6803

**TYLIN INTERNATIONAL**

DESIGNED	- CM,DE
CHECKED	- SP
DRAWN	- CM,DE
CHECKED	- PF

DATE: 02-23-2005