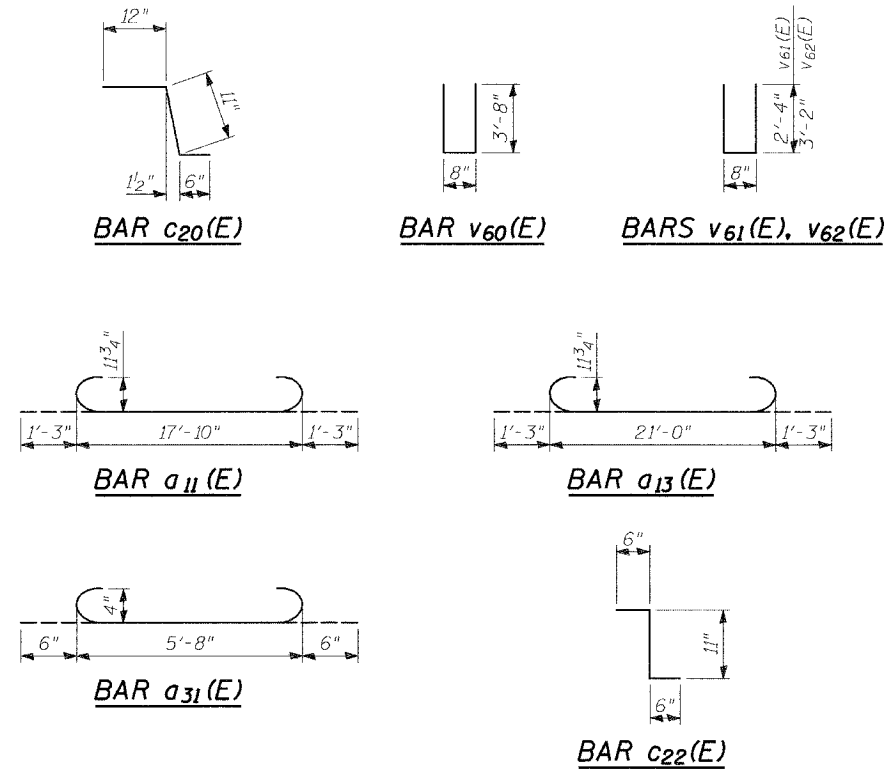


STATE OF ILLINOIS  
DEPARTMENT OF TRANSPORTATION

ROUTE NO.	SECTION	COUNTY	TOTAL SHEETS	SHEET NO.
2758	*	LAKE	40	35
FED. ROAD DIST. NO.		ILLINOIS	FED. AID PROJECT	
				CONTRACT 83790

• 02-00025-00-BR



**NORTH APPROACH  
BILL OF MATERIAL**

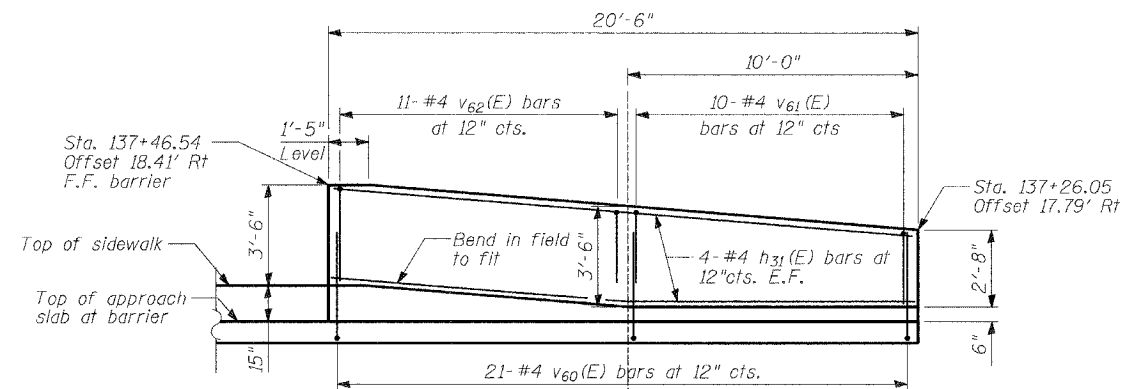
Bar	No.	Size	Length	Shape
a <sub>10</sub> (E)	41	#5	20'-9"	—
a <sub>11</sub> (E)	81	#9	20'-4"	⌒
a <sub>30</sub> (E)	41	#4	5'-8"	—
a <sub>31</sub> (E)	41	#4	6'-8"	⌒
b <sub>10</sub> (E)	7	#4	17'-7"	—
b <sub>11</sub> (E)	7	#4	23'-7"	—
b <sub>12</sub> (E)	22	#5	17'-7"	—
b <sub>13</sub> (E)	22	#5	23'-7"	—
b <sub>20</sub> (E)	8	#5	13'-4"	—
b <sub>21</sub> (E)	8	#5	8'-3"	—
c <sub>20</sub> (E)	21	#5	2'-5"	⌒
c <sub>21</sub> (E)	21	#5	6'-8"	—
c <sub>22</sub> (E)	21	#5	1'-11"	⌒
h <sub>32</sub> (E)	24	#5	31'-8"	—
h <sub>33</sub> (E)	24	#5	17'-1"	—
Reinforcement Bars, Epoxy Coated		POUND	9610	
Bridge Approach Pavement (Special)		SQ YD	94	

The volume of concrete for the sidewalk area is 5.7 CU YD.

**SOUTH APPROACH  
BILL OF MATERIAL**

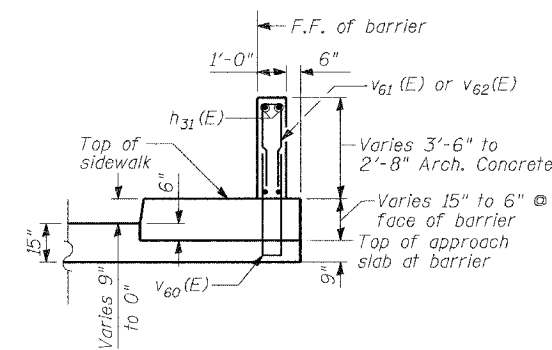
Bar	No.	Size	Length	Shape
a <sub>12</sub> (E)	41	#5	23'-11"	—
a <sub>13</sub> (E)	81	#9	23'-6"	⌒
a <sub>30</sub> (E)	40	#4	5'-8"	—
a <sub>31</sub> (E)	40	#4	6'-8"	⌒
b <sub>10</sub> (E)	7	#4	17'-7"	—
b <sub>11</sub> (E)	7	#4	23'-7"	—
b <sub>12</sub> (E)	25	#5	17'-7"	—
b <sub>13</sub> (E)	25	#5	23'-7"	—
b <sub>22</sub> (E)	8	#5	13'-9"	—
b <sub>23</sub> (E)	8	#5	13'-0"	—
c <sub>20</sub> (E)	27	#5	2'-5"	⌒
c <sub>21</sub> (E)	27	#5	6'-8"	—
c <sub>22</sub> (E)	27	#5	1'-11"	⌒
h <sub>30</sub> (E)	24	#5	38'-6"	—
h <sub>31</sub> (E)	24	#4	20'-6"	—
v <sub>60</sub> (E)	21	#4	8'-0"	⌒
v <sub>61</sub> (E)	10	#4	5'-4"	⌒
v <sub>62</sub> (E)	11	#4	7'-0"	⌒
Architectural Concrete		CU YD	2.4	
Reinforcement Bars, Epoxy Coated		POUND	11300	
Bridge Approach Pavement (Special)		SQ YD	108	

The volume of concrete for the sidewalk area is 9.3 CU YD.



**SOUTHEAST SIDEWALK  
BARRIER WALL**

Offsets are to wall F.F.



**SECTION THRU SOUTHEAST  
SIDEWALK AT BARRIER WALL**

Note:  
Minimum lap for #4 bars shall be 1'-8"

**NOTES**

Reinforcement Bars designated (E) shall be Epoxy Coated.

Reinforcement Bars in the above tables are included in the unit price for Bridge Approach Pavement (Special). See Special Provisions.

**APPROACH PAVEMENT DETAILS**

MOFFETT ROAD OVER  
DRAINAGE RAVINE  
FAU 2758  
LAKE COUNTY  
S.N. 049-6803

**TYLIN INTERNATIONAL**

DESIGNED	- CM,DE
CHECKED	- SP
DRAWN	- CM,DE
CHECKED	- PF

DATE: 02-23-2005

C:\projects\02-23-2005\02-23-2005.dwg 02/23/05 09:34:59 AM