

STATE OF ILLINOIS
DEPARTMENT OF TRANSPORTATION

ROUTE NO.	SECTION	COUNTY	TOTAL SHEETS	SHEET NO.	SHEET NO. -26
2758	*	LAKE	40	36	30 - SHEETS
FED. ROAD DIST. NO.	DISTRICT	FED. AID PROJECT-	CONTRACT 83790		
* 02-00025-00-BR					

BILL OF MATERIAL

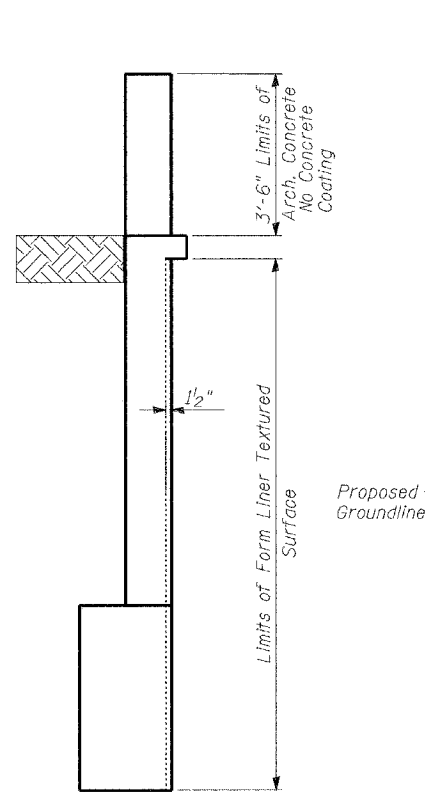
ITEM	UNIT	TOTAL
Form Liner Textured Surface	SQ YD	123
Coating System for Concrete	SQ FT	4000

All exposed surface of the piers and the abutments shall be coated, with the exception of the top of caps.

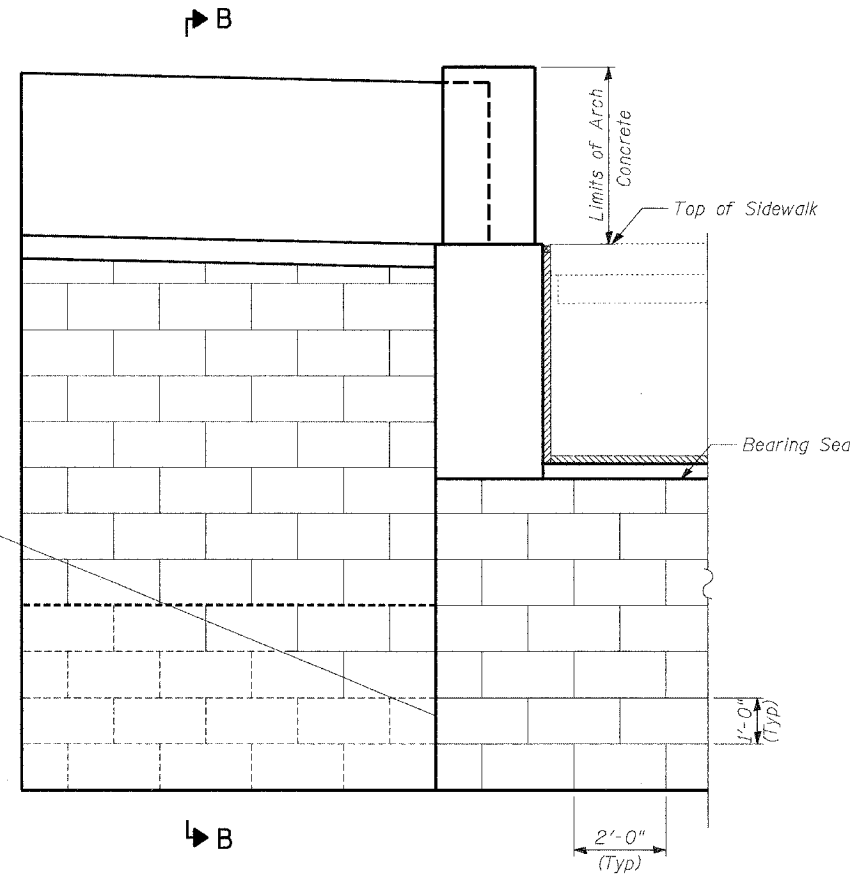
CONCRETE COATING

LOCATION	TOTAL (SQ FT)
North Abutment	535
North Abutment Retaining Walls	88
South Abutment	325
South Abutment Retaining Walls	147
Piers	1278
Deck Fascia	921
Fascia Beams	706

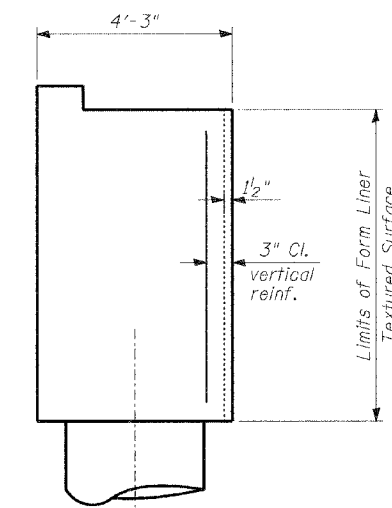
With the exception of the fascia beams, the color of the concrete coating shall be Cloud 57BR - See Special Provisions



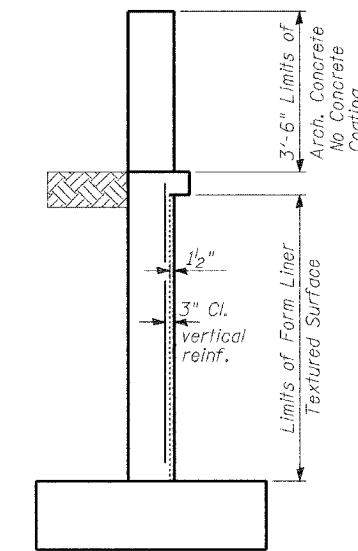
SECTION B-B



TYPICAL WINGWALL ELEVATION

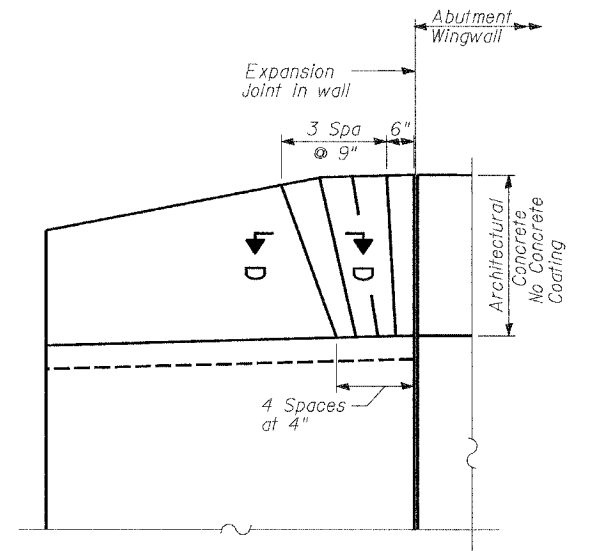


SECTION A-A



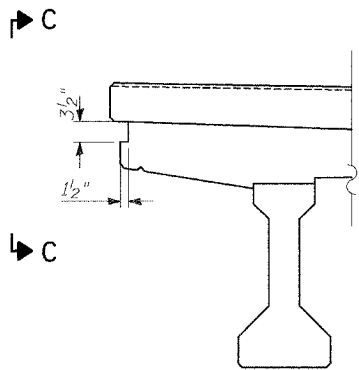
SECTION THRU RETAINING WALLS

Note: 3'-6" wall atop retaining wall not provided at South Abutment, East wall.



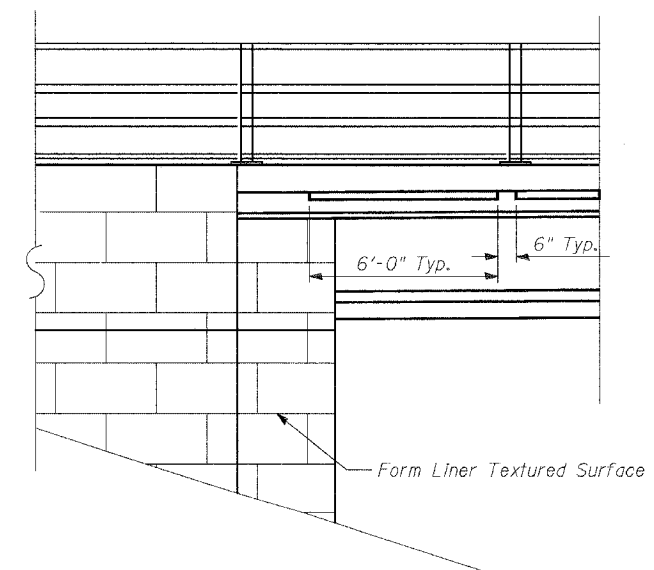
ELEVATION OF NORTH & SOUTH ABUTMENT RETAINING WALLS

(Above detail does not apply at South Abutment, East wall)

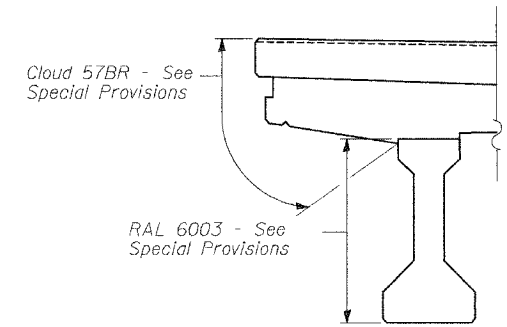


SECTION THRU DECK FASCIA

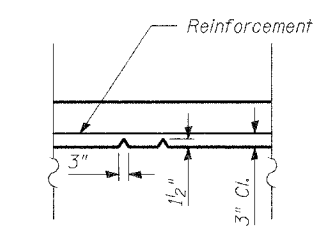
Note: Cost of Relief treatment to deck fascia as shown shall be included in the unit price of Concrete Superstructure.



VIEW C-C
(Shown at South Abutment, East Face)



CONCRETE COATING OF FASCIA



SECTION D-D

Cost of architectural finish, as shown in "ELEVATION OF NORTH & SOUTH ABUTMENT RETAINING WALLS" shall be included in the unit price of Architectural Concrete.

ARCHITECTURAL DETAILS

MOFFETT ROAD OVER
DRAINAGE RAVINE
FAU 2758
LAKE COUNTY
S.N. 049-6803

TYLIN INTERNATIONAL

DESIGNED	- SP
CHECKED	- PF
DRAWN	- SP
CHECKED	- PF

DATE: 02-23-2005