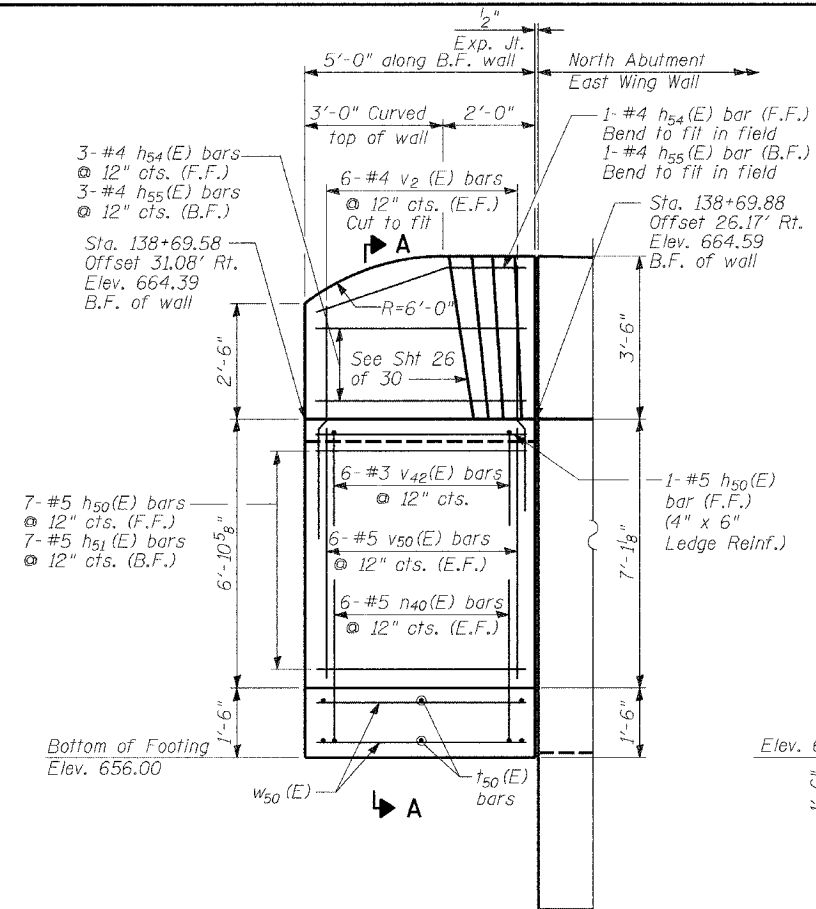
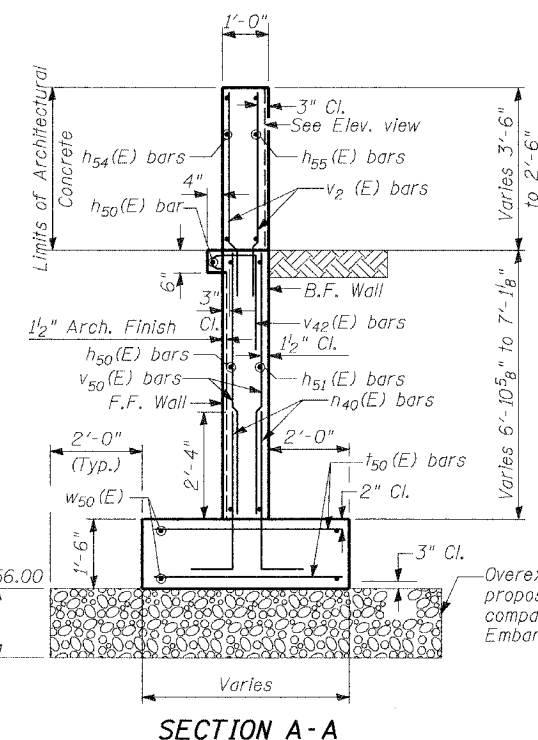


STATE OF ILLINOIS
DEPARTMENT OF TRANSPORTATION

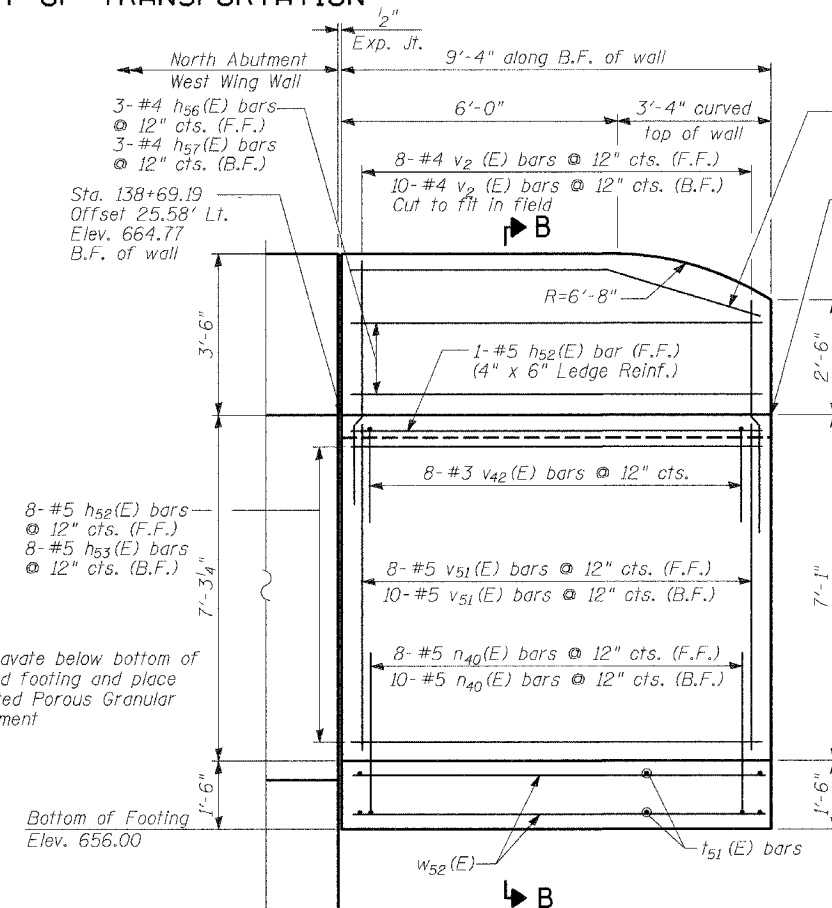
ROUTE NO.	SECTION	COUNTY	TOTAL SHEETS	SHEET NO.	SHEET NO. - 28
2758	*	LAKE	40	38	30 - SHEETS
FED. ROAD DIST. NO.	ILLINOIS	FED. AID PROJECT-	CONTRACT 83790		
* 02-00025-00-BR					



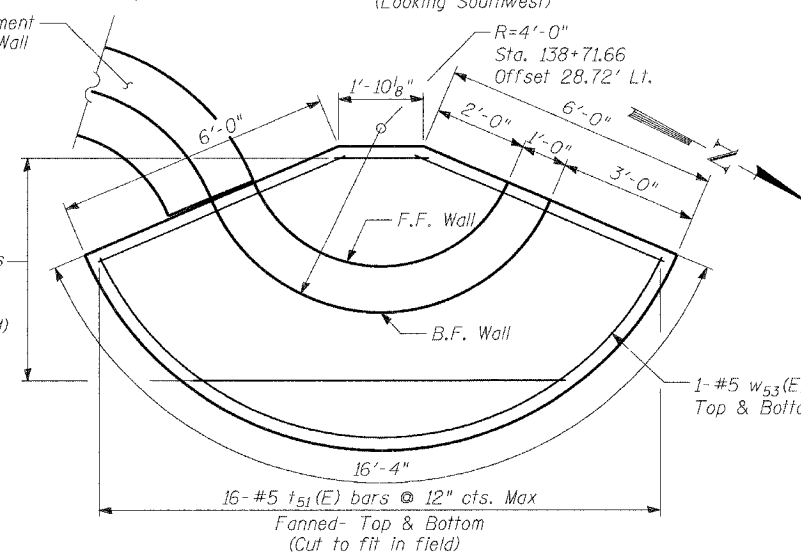
ELEVATION OF NORTHEAST WALL
(Looking South)



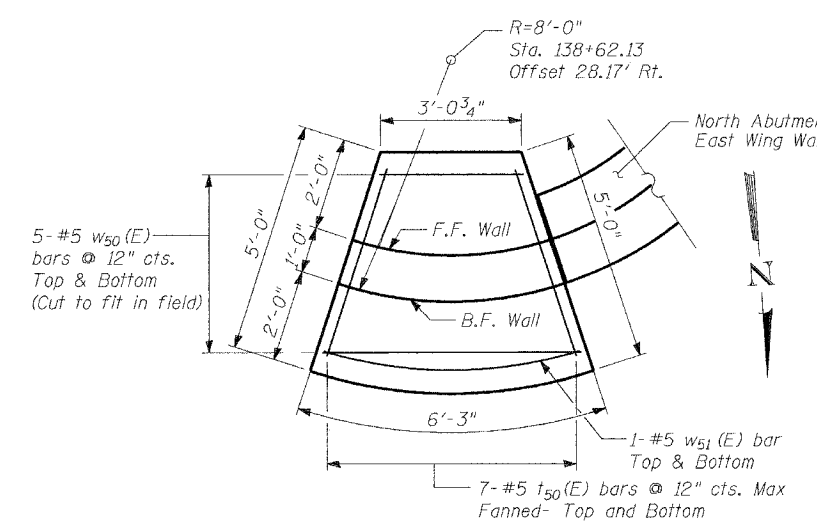
SECTION A-A



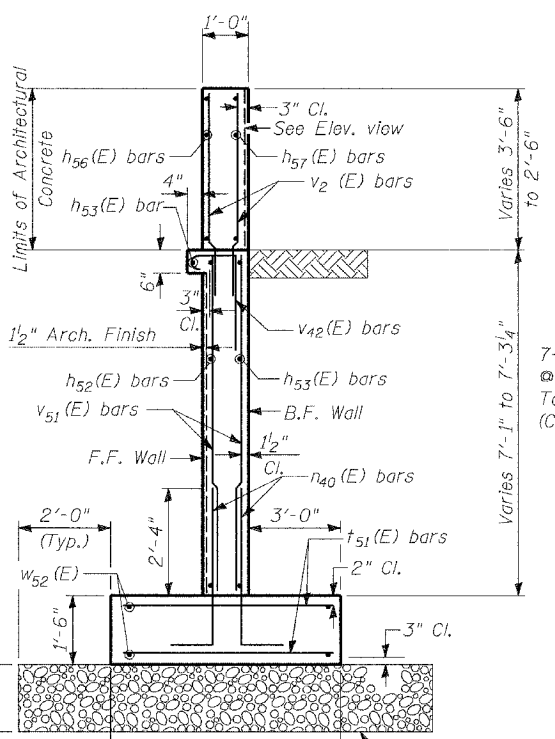
ELEVATION OF NORTHWEST WALL
(Looking Southwest)



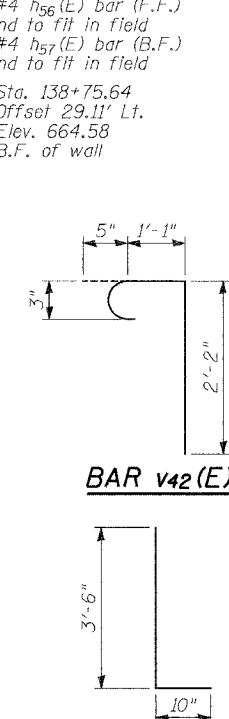
PLAN OF NORTHWEST WALL



PLAN OF NORTHEAST WALL



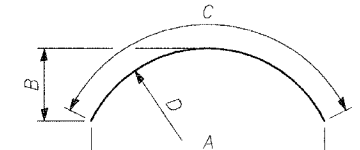
SECTION B-B



BILL OF MATERIAL

Bar	No.	Size	Length	Shape
h50(E)	8	#5	4'-1"	()
h51(E)	7	#5	4'-7"	()
h52(E)	9	#5	7'-0"	()
h53(E)	8	#5	8'-7"	()
h54(E)	4	#4	4'-1"	()
h55(E)	4	#4	4'-7"	()
h56(E)	4	#4	7'-0"	()
h57(E)	4	#4	8'-7"	()
n40(E)	30	#5	4'-4"	()
t50(E)	14	#5	4'-8"	()
t51(E)	32	#5	6'-3"	()
v2(E)	30	#4	4'-4"	()
v42(E)	14	#3	3'-8"	()
v50(E)	12	#5	6'-8"	()
v51(E)	18	#5	6'-11"	()
w50(E)	10	#5	5'-8"	()
w51(E)	2	#5	5'-7"	()
w52(E)	14	#5	11'-8"	()
w53(E)	2	#5	15'-3"	()
Concrete Structures		Cu Yd	7.9	
Architectural Concrete		Cu Yd	1.6	
Reinforcement Bars, Epoxy Coated		Pounds	1280	
Structure Excavation		Cu Yd	75	
Porous Granular Embankment		Cu Yd	31	

Reinforcement bars designated (E) shall be epoxy coated.



Bar	A	B	C	D
h50(E), h54(E)	4'-3/4"	3 1/2"	4'-1"	R=7'-1 1/2"
h51(E), h55(E)	4'-6 1/4"	4"	4'-7"	R=7'-10 1/2"
h52(E), h56(E)	5'-8 1/4"	1'-9 1/4"	7'-0"	R=3'-2"
h53(E), h57(E)	6'-10 7/8"	2'-2"	8'-7"	R=3'-10"
w51(E)	5'-6 3/8"	4 7/8"	5'-7"	R=9'-6"
w53(E)	12'-2 1/2"	3'-10 1/2"	15'-3"	R=6'-9"

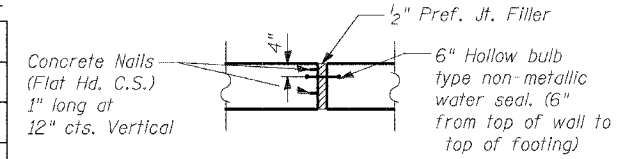
NOTES

For Architectural finish, see Sheet 26 of 30.

TYLIN INTERNATIONAL

DESIGNED	- SP
CHECKED	- AD
DRAWN	- DE
CHECKED	- PF

DATE: 02-23-2005



EXPANSION JOINT DETAIL

NORTH ABUTMENT RETAINING WALLS

MOFFETT ROAD OVER
DRAINAGE RAVINE
FAU 2758
LAKE COUNTY
S.N. 049-6803