

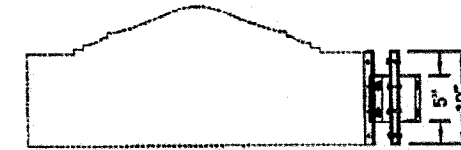
2X MOUNTING COLLARS TO FIT 4" DIA POLE. COLLARS TO SECURE 1/8" THICK POLYCARBONATE SIGN PADDLES PROVIDED BY OTHERS. POWDER COAT FINISH (COLOR TBD).

COLLAR: FABRICATED EXTRUDED ALUM CONSTRUCTION.
SIGN BRACKET: 1" X 3/8" EXTRUDED ALUM FLAT BAR WITH 3/4" X 3/16" FLAT BAR MOUNTING ADAPTER.

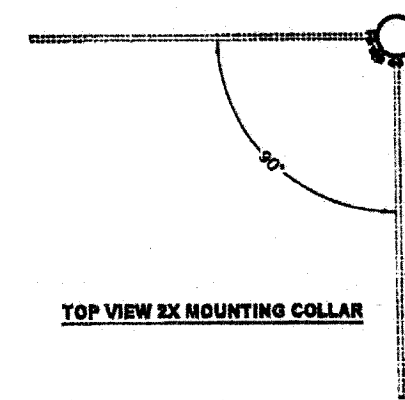
PADDLES: 1/8" THICK POLYCARBONATE WITH VINYL OVERLAYS. (BY OTHERS)

FASTENERS: ALL FASTENERS ARE STAINLESS STEEL (TAMPER RESISTANT WHERE REQUIRED).

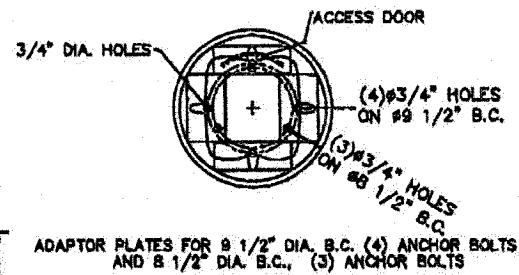
FINISH: POLYESTER POWDER COAT ELECTROSTATICALLY APPLIED AND THERMOCURED.



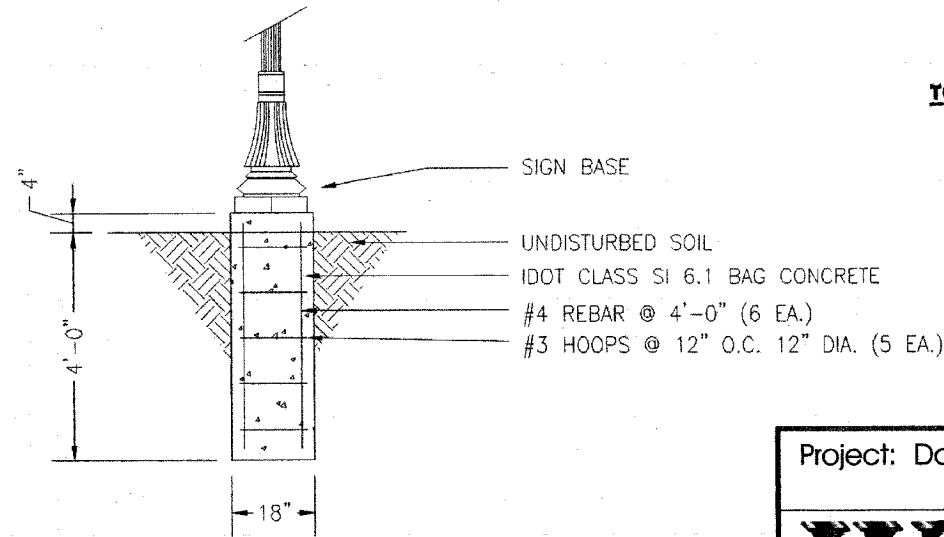
SIDE VIEW 2X MOUNTING COLLAR



TOP VIEW 2X MOUNTING COLLAR



ADAPTOR PLATES FOR 9 1/2" DIA. B.C. (4) ANCHOR BOLTS AND 8 1/2" DIA. B.C., (3) ANCHOR BOLTS



Footing Detail

Project: Downers Grove Ornamental Post

Sign Type:
Post

Sign Number:

Serge Ruffolo (630) 972-7770 Ext. 1107
 1740 International Parkway (888) 744-6765
 Woodridge, Illinois 60517 (630) 972-9680 fax

Scale: NTS Date: 1-5-05

Approved:

TYPE 1 SIGN POLE AND MOUNTING DETAIL

P.A.S. SHEET	SECTION	COUNTY	TOTAL SHEETS	SHEET NO.
	DU PAGE			1
STA.	TO STA.			
FED. ROAD DISTRICT	ALIGNED	FED. RD. PROJECT		
CONTRACT NUMBER				



OGDEN AVENUE STREET SIGN MODERNIZATION

DRAWN BY: RWB	CHECKED BY: D.J.G.
DATE: 1/14/05	PROJECT NO. #16-04
REVISION: 8/05/05	SHEET 7 OF 7
FILE NAME: C:\CADFILES\OGDEN AVE\OGDEN-AVE-SIGNS	

REVISIONS	
NAME	DATE