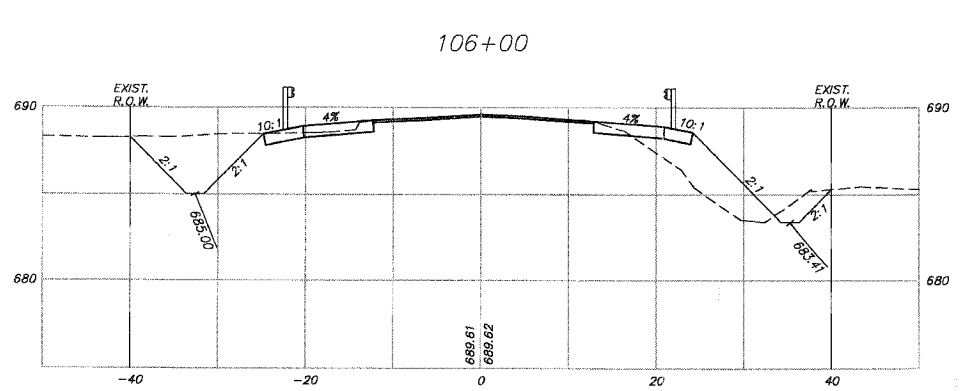
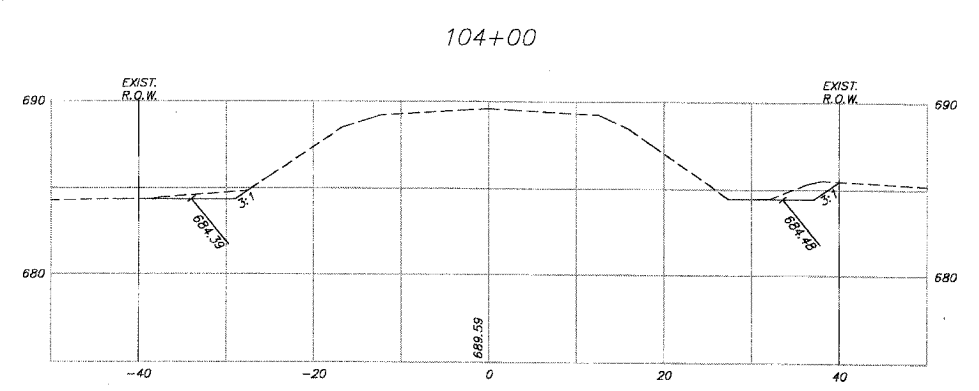
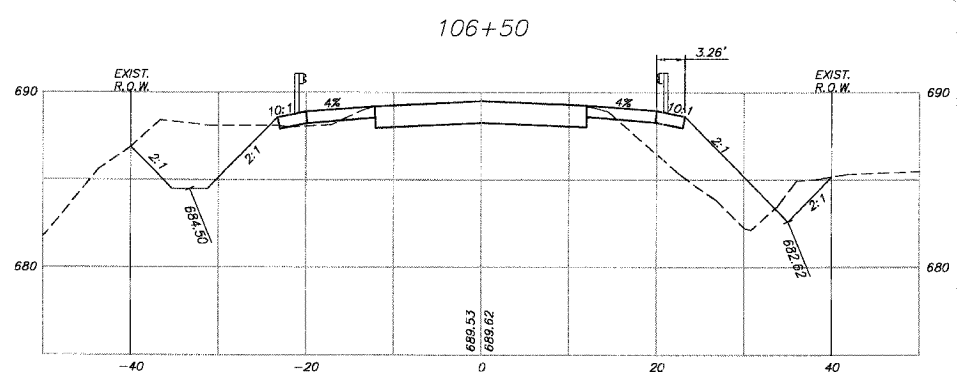
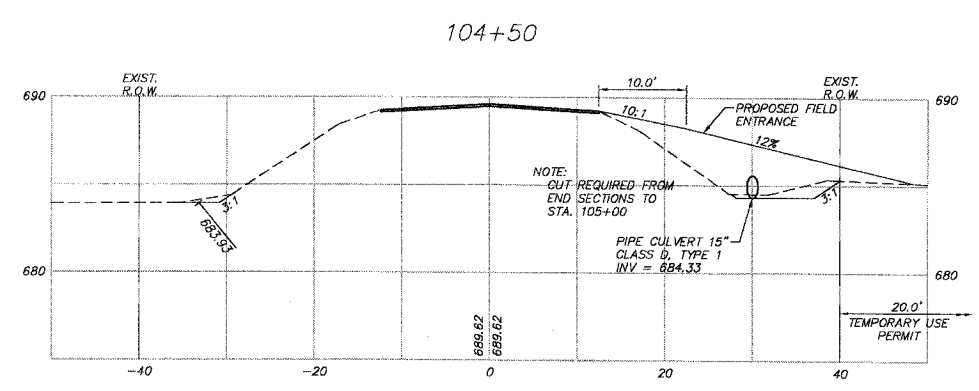
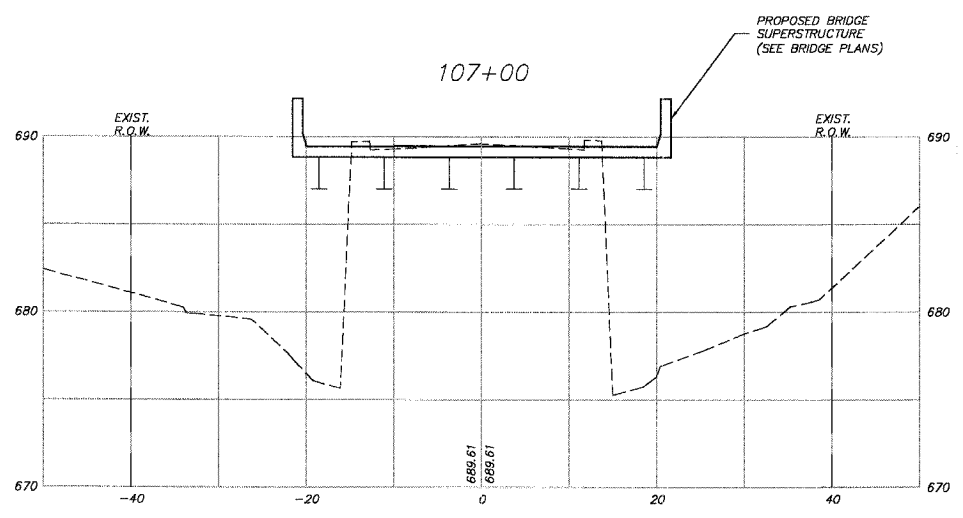
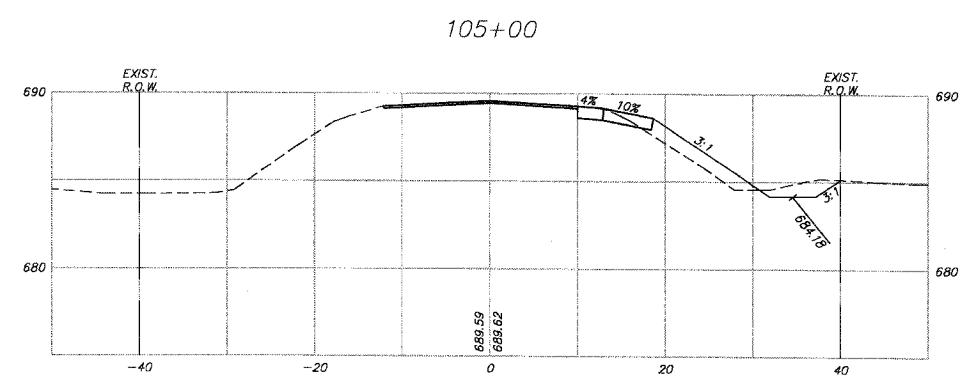
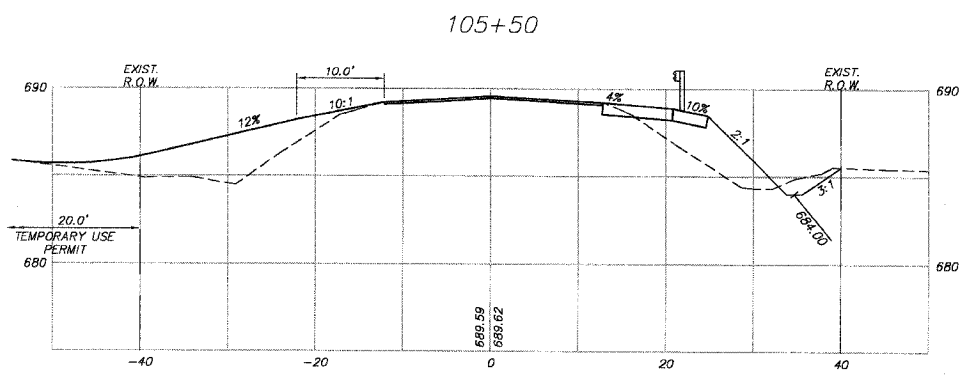


F.A.P. RTE.	SECTION	COUNTY	TOTAL SHEETS	SHEET NO.
3762	01-00139-02-BR	WILL	35	33
STA.	104+00	TO STA.	107+00	
FED. ROAD DIST. NO. 1	ILLINOIS HIGHWAY PROJECT		CONTRACT # 83802	



PLOT FILE: STANDARD  
 VIEW: CE-25  
 COMP. FILE: D:\0139-02\33.dwg

REVISIONS	
NO.	DATE
7.	
6.	
5.	
4.	
3.	
2.	
1.	

**SMITH ENGINEERING CONSULTANTS, INC.**  
 CIVIL/STRUCTURAL ENGINEERS AND SURVEYORS  
 4000 PRIME PARKWAY, SUITE 501  
 MCHENRY, ILLINOIS 60050  
 P: 815-385-1778 F: 815-385-1781  
 www.smithengineering.com E-MAIL: se@smithengineering.com  
 MCHENRY HUNTLEY YORKVILLE  
 ILLINOIS PROFESSIONAL DESIGN FIRM # 184-000108

ILLINOIS DEPARTMENT OF TRANSPORTATION  
 WILL COUNTY DEPARTMENT OF HIGHWAYS  
 HARLEM AVENUE/DRECKSLER ROAD  
 OVER BLACK WALNUT CREEK  
 CROSS SECTIONS

SCALE: 1"=10' H, 1"=5' V  
 DATE 5-26-2005  
 DRAWN BY WJH  
 CHECKED BY JLP