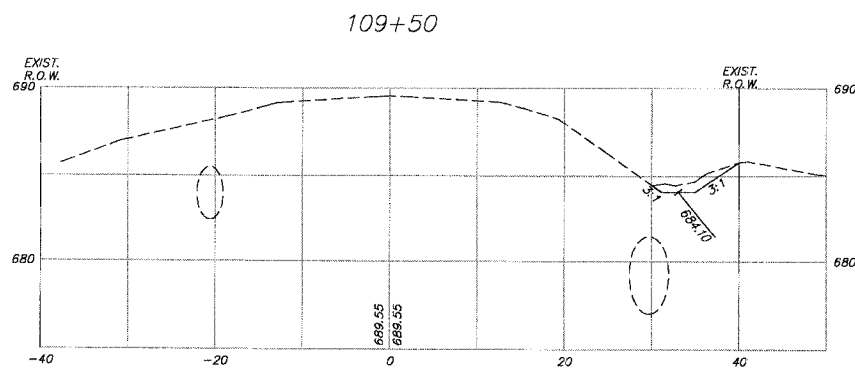
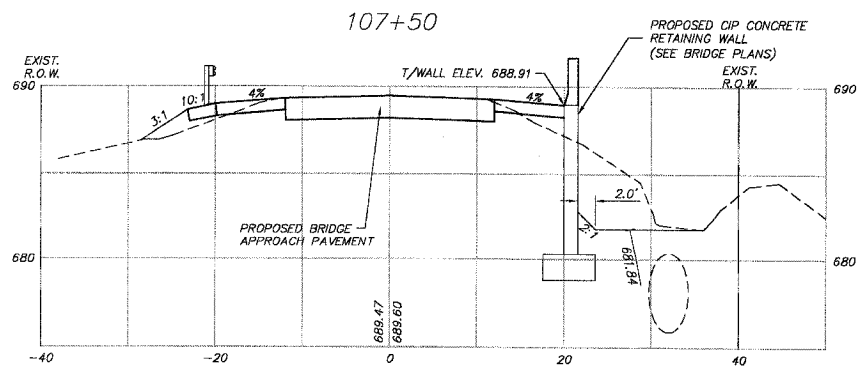
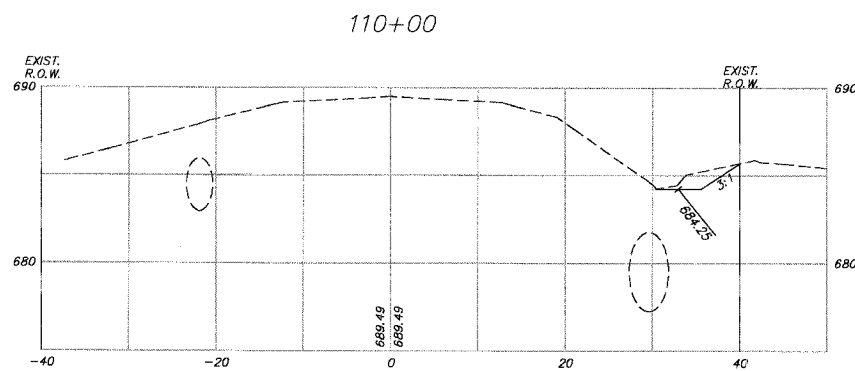
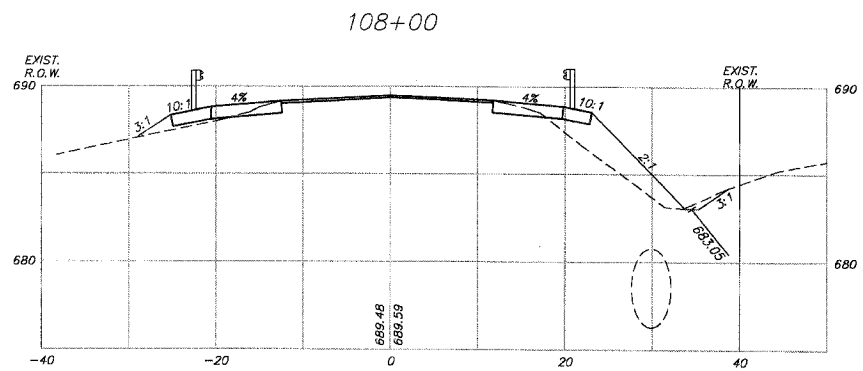
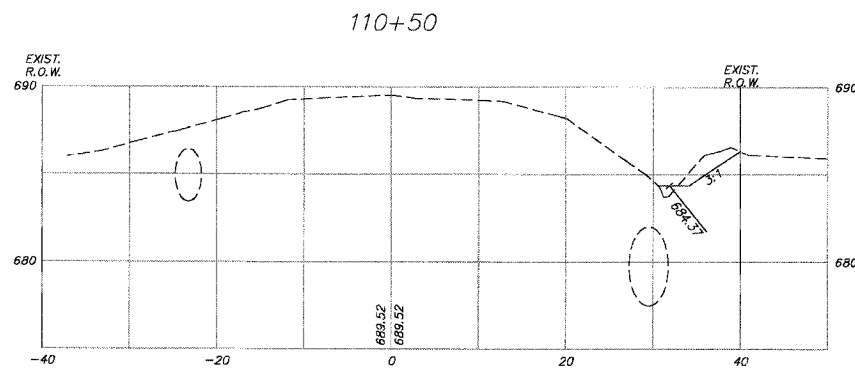
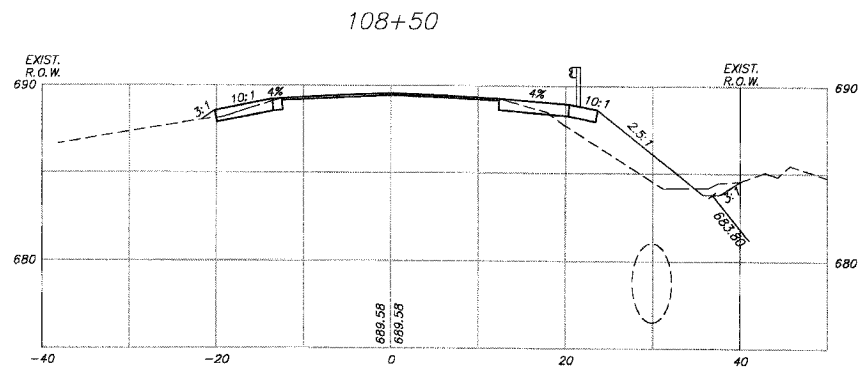
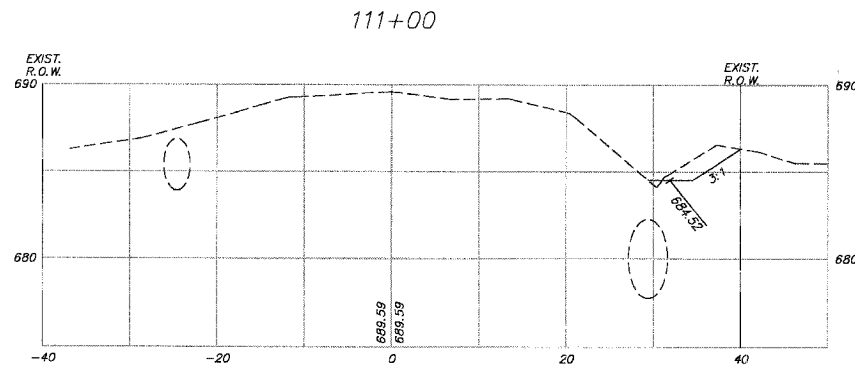
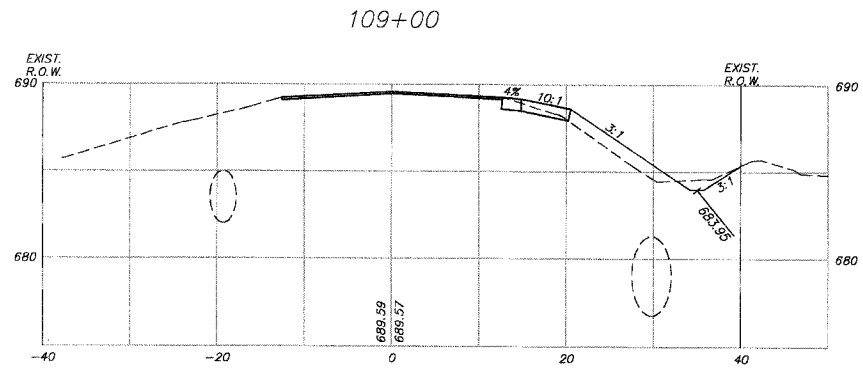


F.A.P. RTE.	SECTION	COUNTY	TOTAL SHEETS	SHEET NO.
3762	01-00139-02-BR	WLL	35	34
STA.	107+50	TO STA.	111+00	
FED. ROAD DIST. NO. 1	ILLINOIS HIGHWAY PROJECT			
CONTRACT # 83802				



REVISIONS	
NO.	DATE
7.	
6.	
5.	
4.	
3.	
2.	
1.	

SMITH ENGINEERING CONSULTANTS, INC.
 CIVIL/STRUCTURAL ENGINEERS AND SURVEYORS
 4000 PRIME PARKWAY, SUITE 201
 McHENRY, ILLINOIS 60050
 PH: 815-385-1778 FAX: 815-385-1781
 www.smithengineering.com E-MAIL: see@smithengineering.com
 McHENRY HUNTLEY YORKVILLE
 ILLINOIS PROFESSIONAL DESIGN FIRM # 184-000108

ILLINOIS DEPARTMENT OF TRANSPORTATION
 WILL COUNTY DEPARTMENT OF HIGHWAYS
 HARLEM AVENUE/DRECKSLER ROAD
 OVER BLACK WALNUT CREEK
 CROSS SECTIONS

SCALE: 1"=10' H, 1"=5' V
 DATE 5-26-2005
 DRAWN BY WJH
 CHECKED BY JLP

PLT FILE: STANDARD
 VIEW: C1-34
 COMP: FILE: D40159-603.dwg