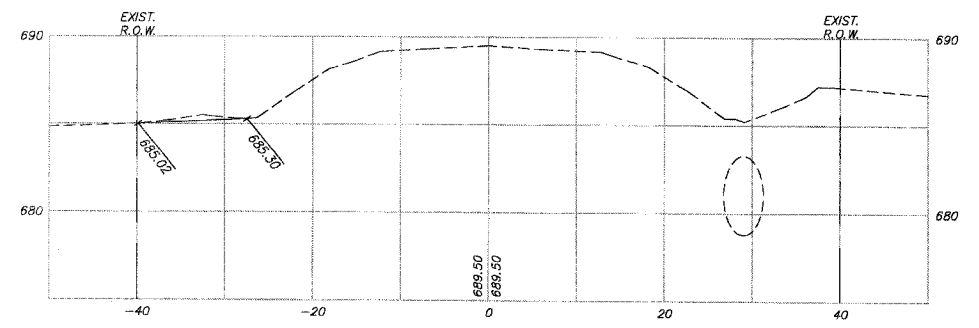
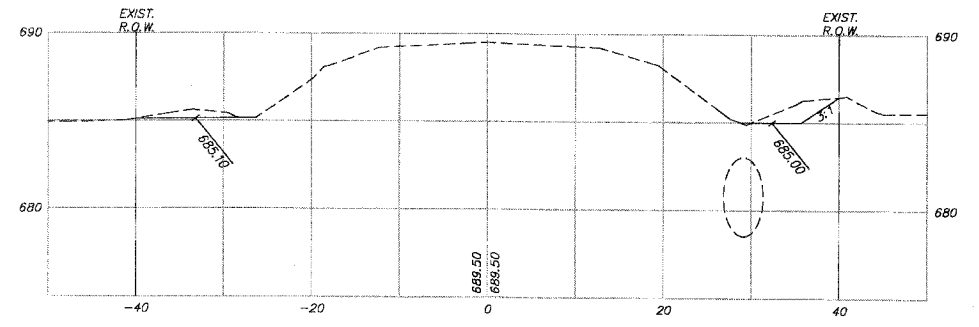


F.A.P. RTE.	SECTION	COUNTY	TOTAL SHEETS	SHEET NO.
3762	01-00139-02-BR	WILL	35	35
STA.	111+50	TO STA.	113+46.50	
FED. ROAD DIST. NO. 1	ILLINOIS HIGHWAY PROJECT		CONTRACT # 83802	

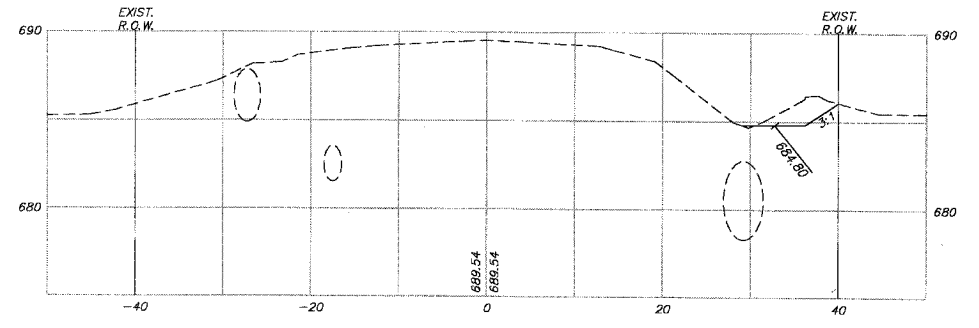
113+00



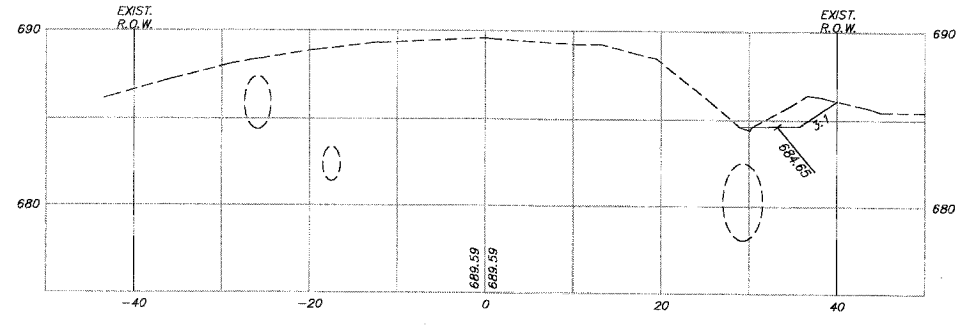
112+50



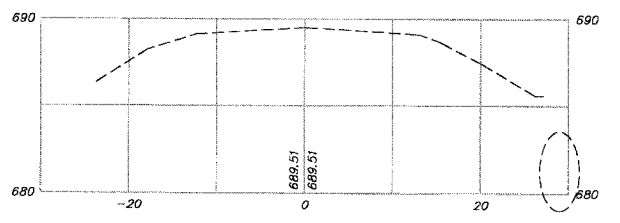
112+00



111+50



113+46.50



PLOT FILE STANDARD
 COMP. FILE: 060109-803.dwg

REVISIONS	
NAME	DATE
7.	
6.	
5.	
4.	
3.	
2.	
1.	

SMITH ENGINEERING CONSULTANTS, INC.
 CIVIL/STRUCTURAL ENGINEERS AND SURVEYORS
 4500 PRIME PARKWAY, SUITE 201
 MCLENNAN, ILLINOIS 62506
 PH: 618-305-1776 FAX: 618-305-1781
 www.smithengineering.com E-MAIL: seo@smithengineering.com
 *MORNING *MIDLAND *MORNING *MORNING
 ILLINOIS PROFESSIONAL DESIGN FIRM # 184-000108

ILLINOIS DEPARTMENT OF TRANSPORTATION
 WILL COUNTY DEPARTMENT OF HIGHWAYS
 HARLEM AVENUE/DRECKSLER ROAD
 OVER BLACK WALNUT CREEK
 CROSS SECTIONS

SCALE: 1"=10' H, 1"=5' V
 DATE 5-26-2005
 DRAWN BY WJH
 CHECKED BY JLP