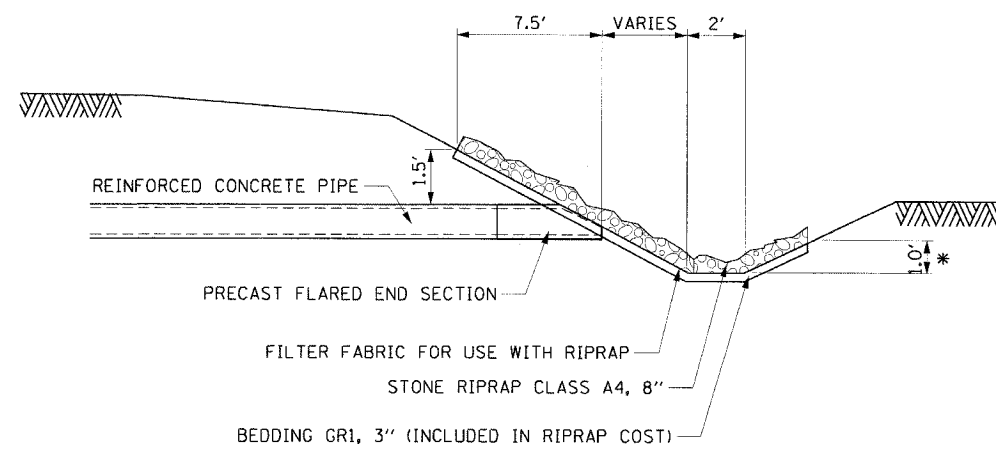
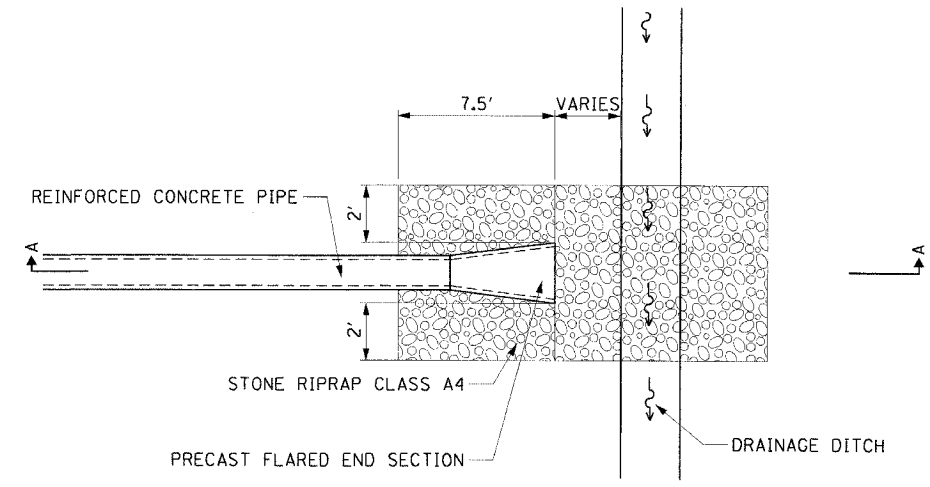


PIPE UNDERDRAIN SCHEDULE

FROM		TO		LENGTH (FEET)
STA	OFFSET	STA	OFFSET	
62+09	23' RT	62+09	23' LT	46
62+39	23' RT	62+39	27' LT	50
38+00	18.5' RT	38+00	18.5' LT	37
295+25	13' RT	298+85	30' RT	363
307+23	13' RT	301+16	18' RT	607
299+25	34.5' RT	299+75	85' RT	74
301+16	18' RT	300+21	85' RT	130
295+25	12' LT	299+00	18' LT	375
307+23	14' LT	299+00	18' LT	826
TOTAL				2,508 FEET

PIPE UNDERDRAIN (SPECIAL) SCHEDULE

FROM		TO	LENGTH (FEET)
STA	OFFSET	STRUCTURE	
62+09	23' RT	B44	10
62+09	23' LT	B43	10
62+39	23' RT	B22	10
62+39	27' LT	B23	10
38+50	18.5' LT	A29	20
53+00	⊕	B3	18
53+00	⊕	B30	18
298+85	30' RT	C01	10
301+16	18' RT	C05	23
299+25	34.5' RT	C01	27
299+00	18' LT	DITCH	30
TOTAL			186 FEET



SECTION A-A
STONE RIPRAP PROTECTION DETAIL

* WHEN DITCH IS LESS THAN 1' PLACE RIP RAP TO TOP OF BACKSLOPE

- NOTE:
- SEE STANDARD 542301 FOR DIMENSIONS OF FLARED END SECTIONS

REVISIONS	
NAME	DATE

ILLINOIS DEPARTMENT OF TRANSPORTATION
PFEIFFER ROAD IMPROVEMENT

DRAINAGE SCHEDULE AND DETAILS

SCALE: NTS
DATE: JUNE 06, 2005

DRAWN BY:
DESIGNED BY: RMG
CHECKED BY: RMG

83803.dwg
4000-0000
-REF-
-REV-