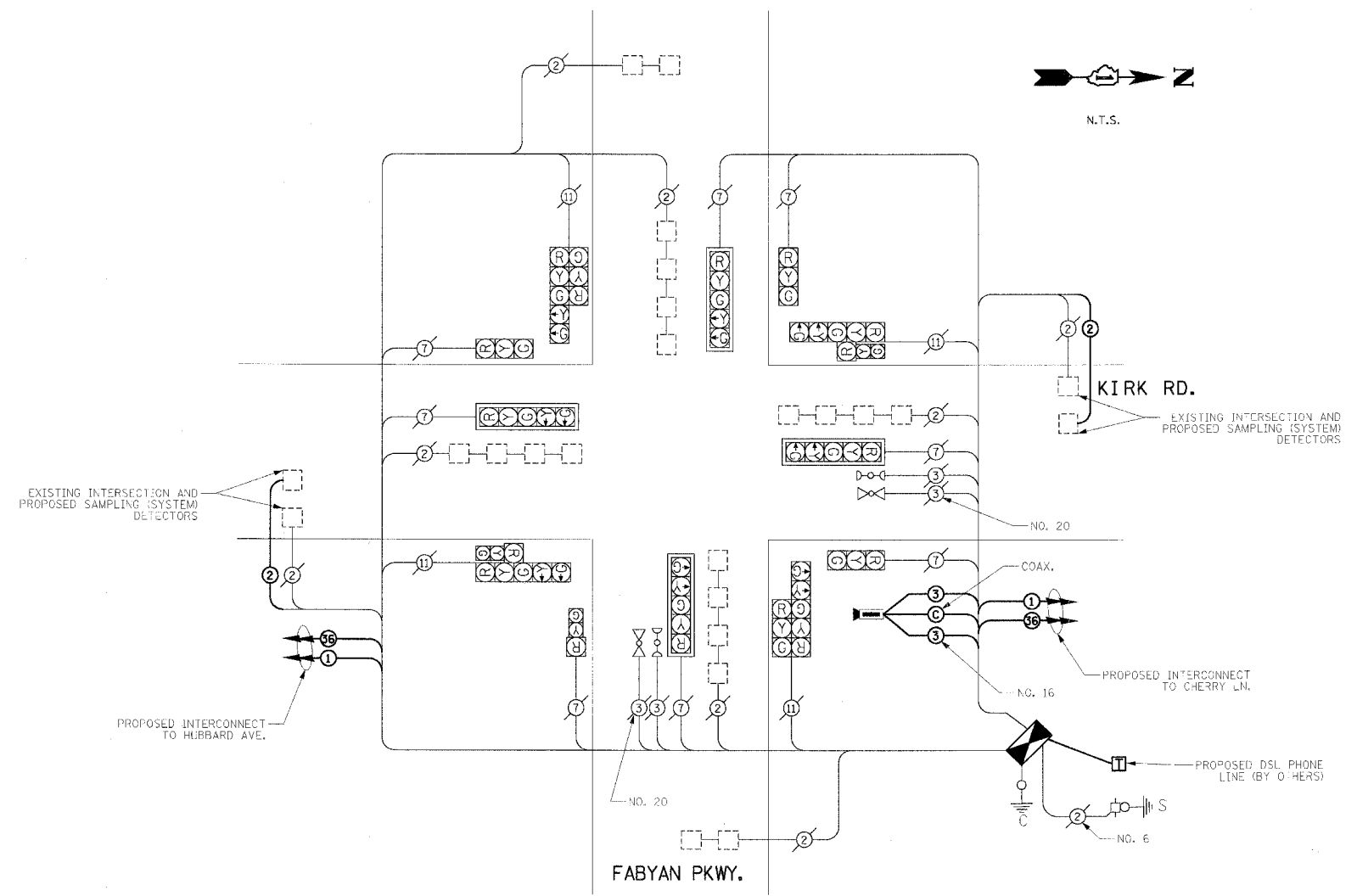


F.A.P. RTE.	SECTION	COUNTY	TOTAL SHEETS
360 03-00320-00-TL		KANE	33
STA.	TO STA.		14
FED. ROAD DIST. NO. 1	ILLINOIS	FED. AID PROJECT	
CONTRACT NO. 83808			

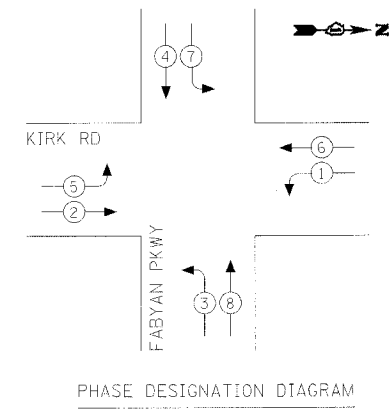
CABLE PLAN LEGEND

- | | | |
|--|--|--|
| | | 8" (200mm) TRAFFIC SIGNAL SECTION |
| | | 12" (300mm) PEDESTRIAN SIGNAL SECTION |
| | | CONTROLLER CABINET |
| | | TELEPHONE CONNECTION |
| | | MAGNETIC DETECTOR |
| | | CONFIRMATION BEACON |
| | | GROUND CABLE IN CONDUIT NO. 6 SOLID COPPER (GREEN) |
| | | SIGNAL FACE WITH BACKPLATE. "P" INDICATES PROGRAMMED HEAD. |
| | | ILLUMINATED SIGN "NO LEFT TURN" |
| | | GROUND ROD AT HANDHOLE (H), DOUBLE HANDHOLE (H), OR CONTROLLER (C) |
| | | GROUND ROD AT ELECTRIC SERVICE INSTALLATION |
| | | FIBER OPTIC CABLE IN CONDUIT NO. 62.5/125 MM24F SM12F |

CABLE PLAN



PROPOSED CONTROLLER SEQUENCE

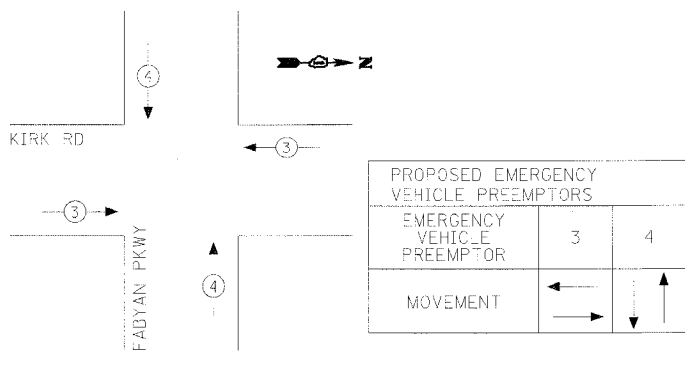


- LEGEND**
- DUAL ENTRY PHASE
 - SINGLE ENTRY PHASE
 - OVERLAP
 - PEDESTRIAN PHASE
 - NUMBER REFERS TO ASSOCIATED PHASE

SCHEDULE OF QUANTITIES

QTY	UNIT	ITEM DESCRIPTION
12	FOOT	CONDUIT IN TRENCH, 2" DIA., GALVANIZED STEEL
5	FOOT	CONDUIT IN TRENCH, 4" DIA., GALVANIZED STEEL
17	FOOT	TRENCH AND BACKFILL FOR ELECTRICAL WORK
1	EACH	MAINTENANCE OF EXISTING TRAFFIC SIGNAL INSTALLATION
1	EACH	FULL-ACTUATED CONTROLLER AND TYPE V CABINET, SPECIAL
1	EACH	TRANSCEIVER - FIBER OPTIC
94	FOOT	ELECTRIC CABLE IN CONDUIT, SIGNAL NO. 14 3C
714	FOOT	ELECTRIC CABLE IN CONDUIT, LEAD-IN, NO. 14 1 PAIR
94	FOOT	VIDEO ELECTRIC CABLE IN CONDUIT, NO. 16 3C
94	FOOT	VIDEO BELDEN 8281 COAXIAL CABLE IN CONDUIT
4	FOOT	CONCRETE FOUNDATION, TYPE D
4	EACH	DRILL EXISTING HANDHOLE
10	EACH	INDUCTIVE LOOP DETECTOR
1	EACH	RELOCATE EXISTING EMERGENCY VEHICLE PRIORITY SYSTEM, PHASING UNIT
1	EACH	REMOVE EXISTING TRAFFIC SIGNAL EQUIPMENT
1	EACH	MODIFY EXISTING TYPE 'D' FOUNDATION
1	EACH	REMOTE-CONTROLLED VIDEO SYSTEM
1	EACH	VIDEO COMMUNICATIONS SYSTEM AND CABINET
1	WEEK	CHANGEABLE MESSAGE SIGN

PROPOSED EMERGENCY VEHICLE PREEMPTION SEQUENCE



NOTE:
THE TRAFFIC SIGNAL CONTROL EQUIPMENT FOR THIS PROJECT SHALL BE "EAGLE" TO MATCH THE EXISTING ADJACENT SYSTEM.

I.D.O.T. TRAFFIC SIGNAL INSTALLATION ELECTRICAL SERVICE REQUIREMENTS					TOTAL WATTAGE
TYPE	NO. LAMPS	WATTAGE (INCAND.)	LED	% OPERATION	
SIGNAL (RED)	16	135	17	0.50	1080.0
(YELLOW)	16	135	25	0.25	540.0
(GREEN)	16	135	15	0.25	540.0
ARROW	16	135	12	0.10	216.0
PED. SIGNAL		90	25	1.00	
CONTROLLER	1	100	100	1.00	100.0
ILLUM. SIGN		84		0.05	
FLASHER				0.50	
TOTAL =					2476.0

ENERGY COSTS TO: KANE COUNTY DIVISION OF TRANSPORTATION
41011 BURLINGTON ROAD
ST. CHARLES, ILLINOIS 60175
CONTACT: CLAY TIKNIS
PHONE: (630) 691-4363
COMPANY: COMED

FOUNDATION (DEPTH)	FT. (m)	CABLE SLACK	FT. (m)	VERTICAL	FT. (m)
TYPE A - POST	4 (1.2)	HANDHOLE	6.5 (2.0)	ALL FOUNDATIONS	3.5 (1.0)
D - CONTROLLER	4 (1.2)	DOUBLE HANDHOLE	13 (4.0)	MAST ARM (L) POLE	20'-H-2=
E - M. ARM POLE		SIGNAL POST	2 (1.0)	(6m+L-0.6m)=	
24" (600mm)	10 (3.0)	CONTROLLER CAB.	1 (0.5)	BRACKET MOUNTED	13 (4.0)
30" (750mm)	15 (4.6)	FIBER OPTIC	13 (4.0)	PED. PUSHBUTTON	4 (1.2)
		ELECTRIC SERVICE	1 (0.5)	ELECTRIC SERVICE	13.5 (4.1)
		GROUND CABLE	1 (0.5)	SERVICE TO GROUND	13.5 (4.1)
				POST MOUNTED	6 (1.8)

KENIG, LINDGREN, O'HARA, ABOONA, INC.
9575 West Higgins Road, Suite 400
Rosemont, Illinois 60018
(847) 518-9990 FAX (847) 518-9987

REVISIONS	
NAME	DATE

ILLINOIS DEPARTMENT OF TRANSPORTATION
CABLE PLAN, PHASE DESIGNATION DIAGRAM,
SCHEDULE OF QUANTITIES
KIRK RD AT FABYAN PKWY
SCALE: NONE
DATE: 07/19/05
DRAWN BY: DMS
DESIGNED BY: DMS
CHECKED BY: DMS