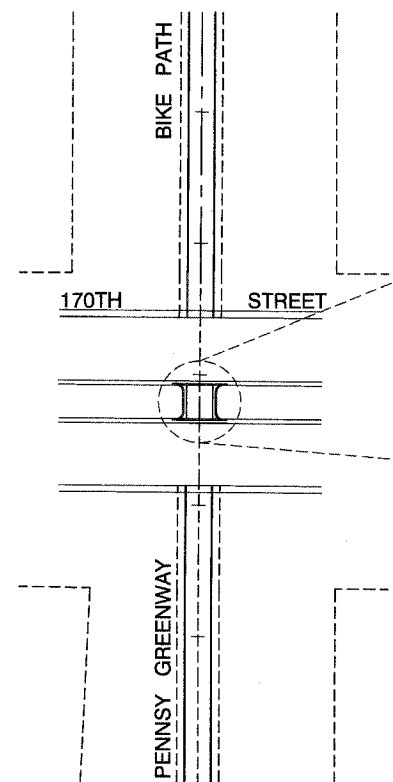
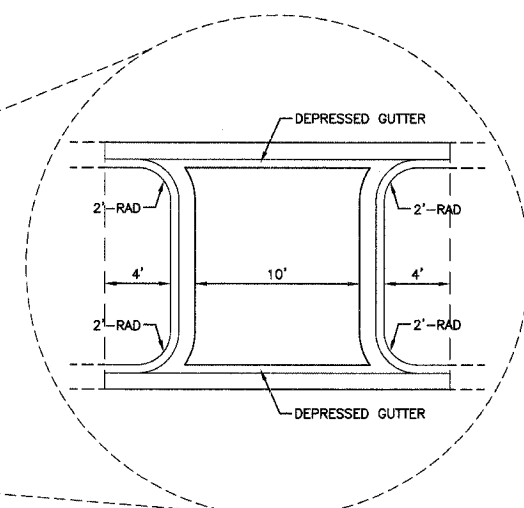


FAU. RE.	SECTION	COUNTY	TOTAL SHEETS	SHEET NO.
	03-P4045-01-BT	COOK	080	024
STA.		TO STA.		
FED. ROAD DIST. NO.	ILLINOIS	FED. AID PROJECT		

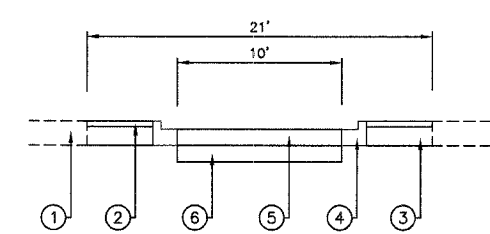
**CONTRACT NO. 83811**



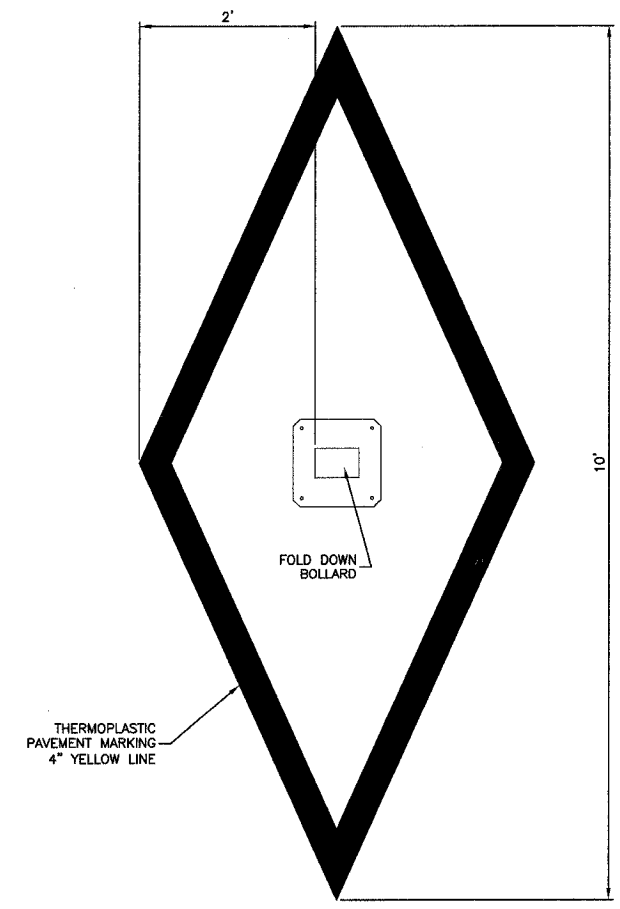
**PROPOSED MEDIAN - PLAN VIEW**



**PROPOSED MEDIAN - PLAN VIEW**



**PROPOSED MEDIAN - CROSS SECTION**



**TYPICAL PAVEMENT MARKINGS AT BOLLARD LOCATION**

**LEGEND**

- ① EXISTING CONCRETE MEDIAN
- ② PROPOSED CONCRETE MEDIAN SURFACE, 4"
- ③ AGGREGATE BASE COURSE, TYPE B 12"
- ④ COMBINATION CONCRETE CURB AND GUTTER, TYPE B-6.12
- ⑤ PROPOSED PORTLAND CEMENT CONCRETE PAVEMENT, 10"
- ⑥ AGGREGATE BASE COURSE, TYPE B, 6"

<b>ROBINSON ENGINEERING, LTD.</b> CONSULTING REGISTERED PROFESSIONAL ENGINEERS AND PROFESSIONAL LAND SURVEYORS 17000 SOUTH PARK AVENUE SOUTH HOLLAND, ILLINOIS 60473 (708) 331-6700 FAX (708) 331-3828 © COPYRIGHT 2005 ILLINOIS DESIGN FIRM REGISTRATION NO. 184001128		<b>REVISIONS</b> No. Date Remarks	
<b>PROJECT DETAILS</b> PENNSY GREENWAY BIKE PATH <b>LANSING, ILLINOIS</b>			
Drawn by: LTL	Date: 7/22/05		
Checked by: JP	Scale: N/A		
Sheet 024 of 080	Project No. 03-365.02		