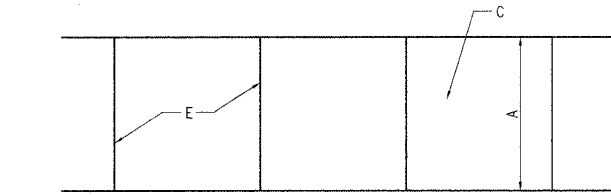
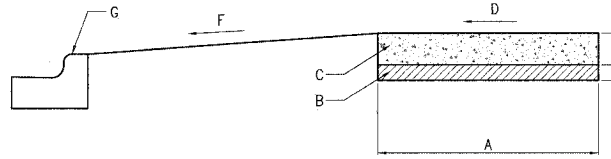


RTE. NO.	SECTION	COUNTY	TOTAL SHEETS	SHEET NO.
FAU 3512 FAP 364	02-00077-00-SW	COOK	8	8
FEDERAL RD. DIST. NO.	ILLINOIS		FEDERAL AID PROJECT	

CONTRACT NO.: 83812



PLAN



PROFILE

SIDEWALK DETAIL

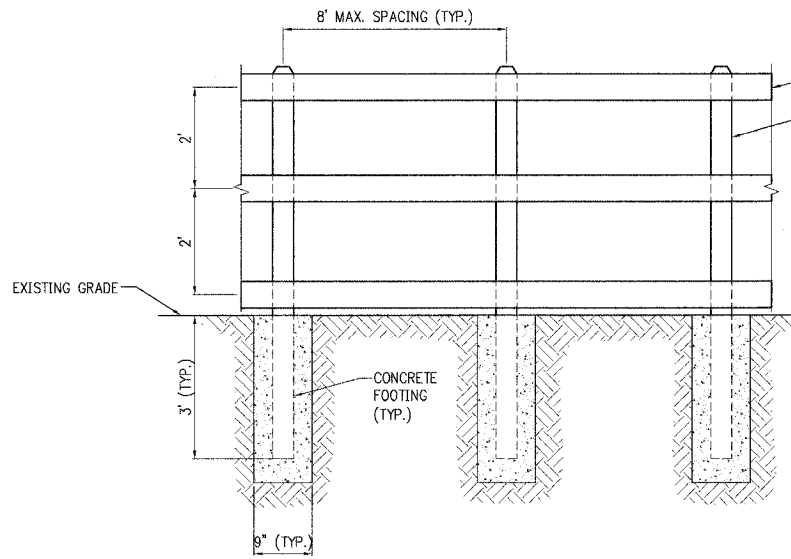
NOT TO SCALE

CONSTRUCTION NOTES

- A. 5' NORMAL WIDTH
- B. CRUSHED STONE OR GRAVEL BASE
- C. P.C.C. SIDEWALK
- D. SLOPE 1/4" PER FOOT TO STREET SIDE
- E. JOINTS, SEE NOTES 3 AND 4
- F. SLOPE 2% TO 8% TOWARDS STREET
- G. CURB AND GUTTER
- H. CONCRETE THICKNESS, SEE NOTE 1

GENERAL NOTES

- 1. STANDARD THICKNESS OF CONCRETE SHALL BE A MINIMUM OF 5".
- 2. WHERE WOODEN FORMS ARE USED, 2x4'S ARE NOT ALLOWED. ONLY 2x6'S SHALL BE USED.
- 3. PREFORMED 3/8" EXPANSION JOINTS SHALL BE CONSTRUCTED AT MAX. SPACING OF 40'.
- 4. FORMED OR SAW-CUT CONTRACTION JOINTS SHALL BE SPACED GENERALLY 5' APART, BUT NO LESS THAN 4' AND NO MORE THAN 6'.
- 5. 1/2" EXPANSION JOINTS SHALL BE INSTALLED WHERE SIDEWALK ABUTS BUILDINGS, TRAFFIC SIGNAL FOUNDATIONS, SERVICE POLES, AND OTHER IMMOVABLE STRUCTURES.



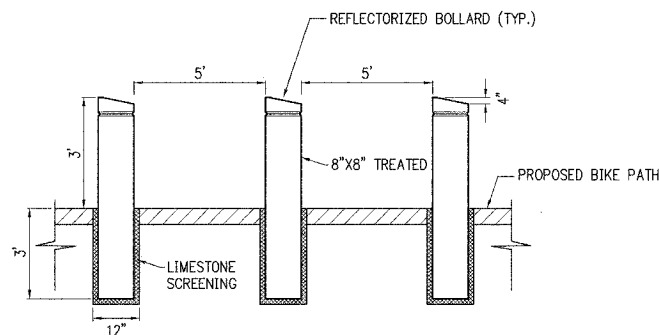
WOOD FENCE DETAIL

(OR AS SPECIFIED BY THE VILLAGE OF PALATINE)
NOT TO SCALE

- 1. ALL MATERIAL SHALL BE SOUTHERN YELLOW PINE IMPREGNATED WITH THE PRESERVATIVE, COPPER NAPHTHENATE (COPPERWOOD OR APPROVED EQUAL).
- 2. FENCE SHALL BE ASSEMBLED BY FACE NAILING.
- 3. CLASS S1 CONCRETE SHALL BE USED CONFORMING TO THE APPLICABLE PORTIONS OF SECTION 1020, EXCEPT THAT IF THE CONCRETE IS MIXED IN TRANSIT MIXERS OR TRANSPORTED IN AGITATOR TRUCKS, THE TIME LIMIT FOR UNLOADING IT MAY BE EXTENDED TO 120 MINUTES BY THE ENGINEER.

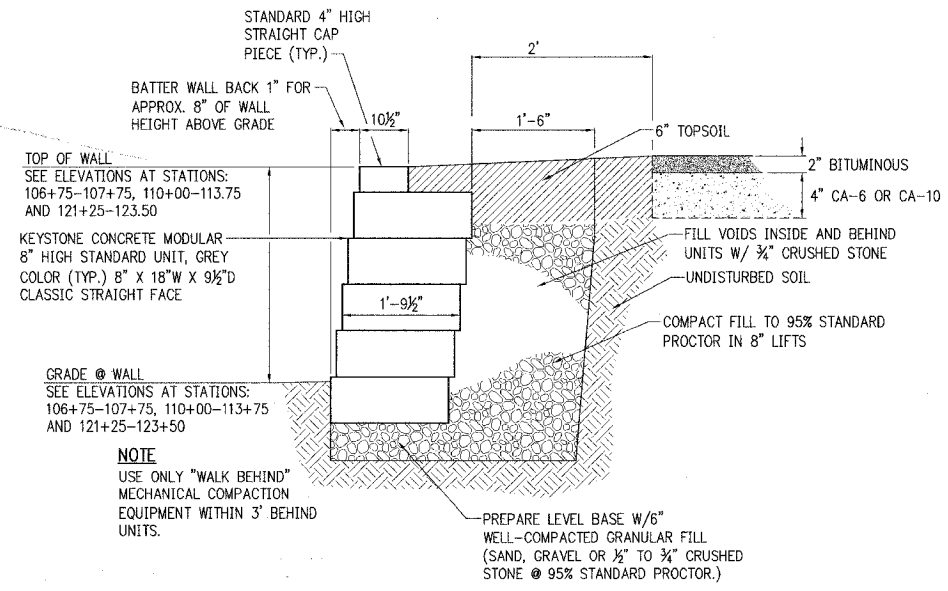
Scale For Microfilming

Inches



BIKE PATH BOLLARD DETAIL

NOT TO SCALE



**MODULAR BLOCK RETAINING WALL
TYPICAL SECTION**

NOT TO SCALE

no.	date	by	ckd	description
1	07/20/05	AJB	AJB	INCORPORATE IDOT COMMENTS



date	06-28-05	detailed	J. HOLZINGER
designed	A. BRYANT	checked	J. STEENKEN



VILLAGE of PALATINE
SIDEWALK AND BIKE PATH IMPROVEMENTS
DETAILS

project	33973	contract	
drawing		rev.	1
sheet	8	of	8 sheets
file	I:\PALATINE\33973...CAD\BID\DETAILS		