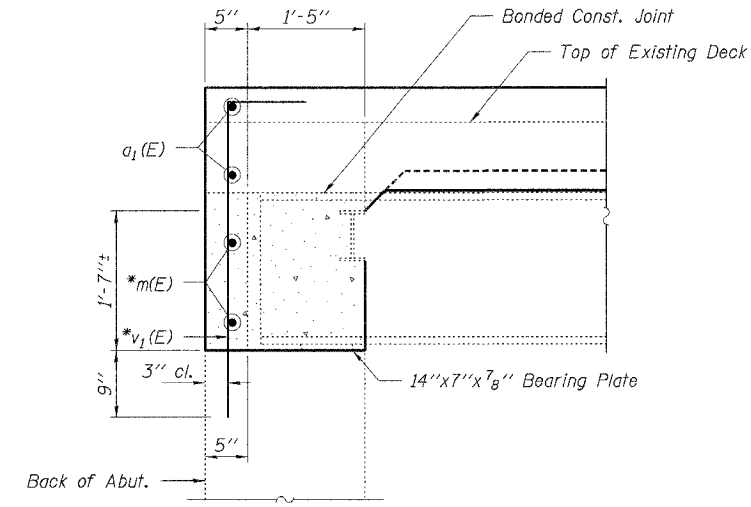
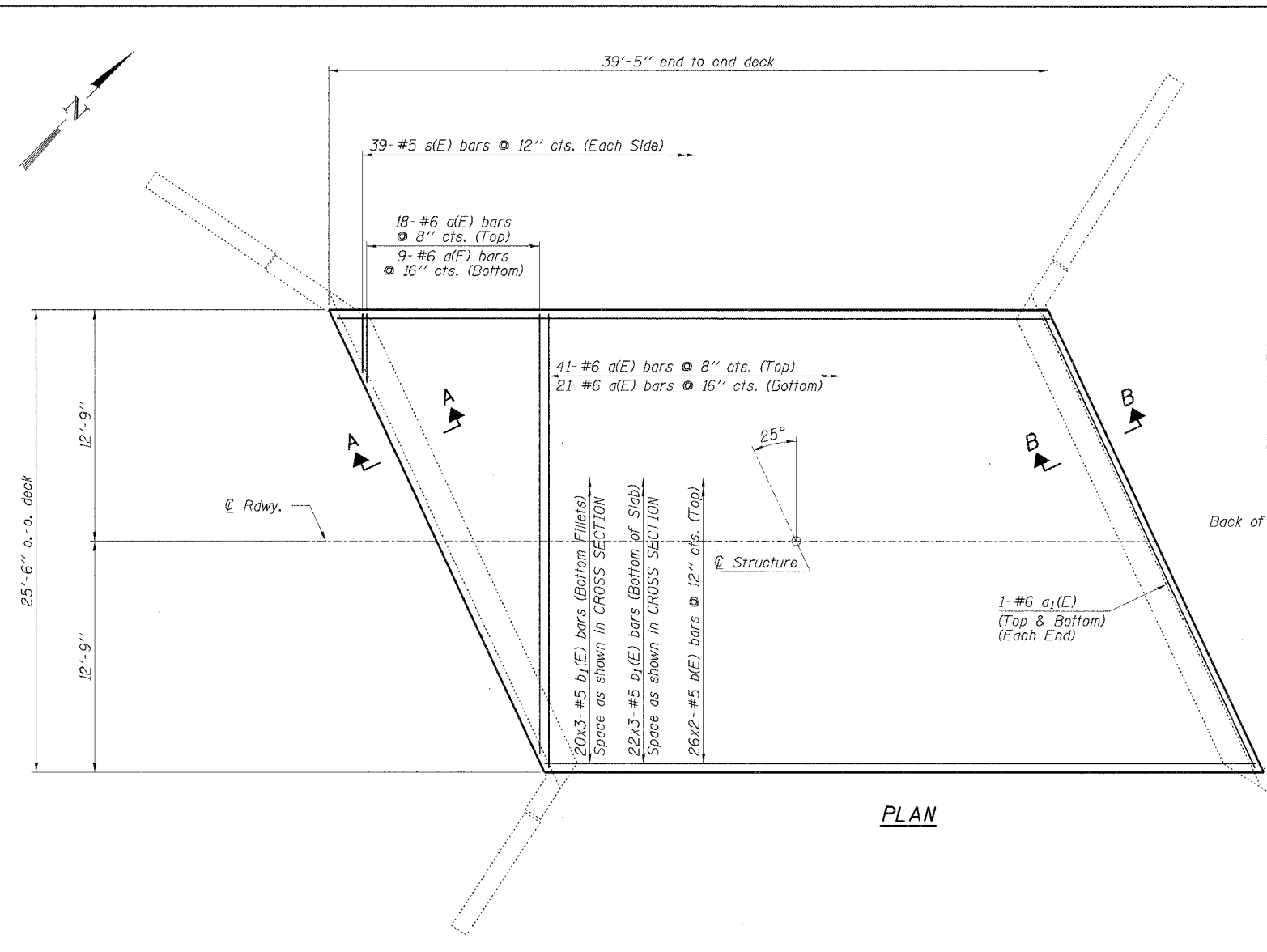
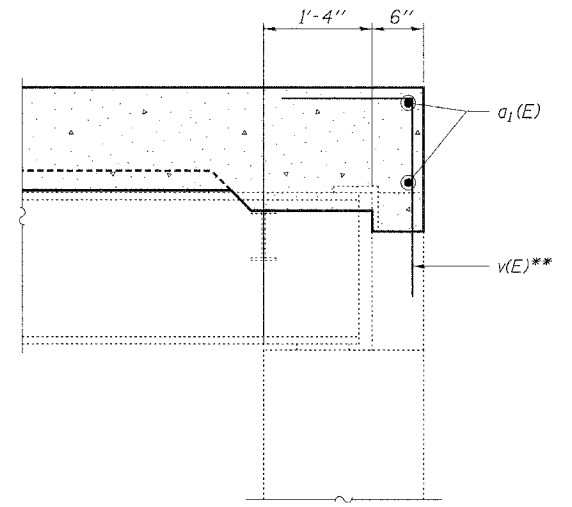


ROUTE NO.	SECTION	COUNTY	TOTAL SHEETS	SHEET
F.A.S. 585	02-00063-00-BR	BROWN	16	11
FED. ROAD DIST. NO.	ILLINOIS	FED. AID PROJECT	BHS-585(104)	

CONTRACT NO. 93399

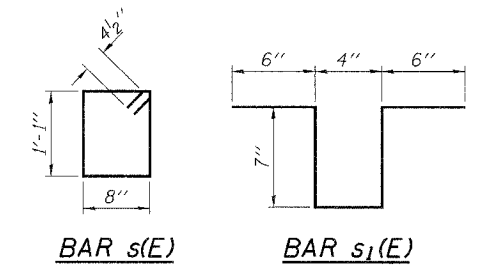


SECTION A-A
* See sheet 14 for v1(E) bars and m(E) bars.



SECTION B-B
** See sheet 15 for v(E) bars and a1(E) bars.

PLAN

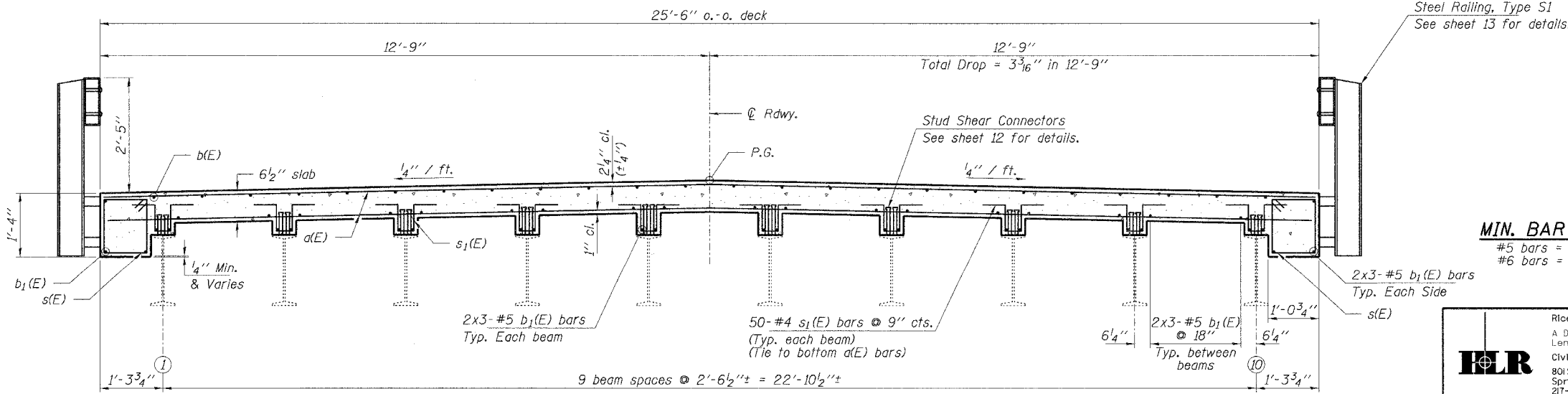


BAR s(E) BAR s1(E)

**SUPERSTRUCTURE
BILL OF MATERIAL**

BAR NO.	SIZE	LENGTH	SHAPE
a(E)	#6	25'-2"	—
a1(E)	#6	27'-9"	—
b(E)	#5	20'-8"	—
b1(E)	#5	14'-6"	—
m(E)	#6	24'-9"	—
s(E)	#5	4'-3"	□
s1(E)	#4	2'-6"	T
Concrete Superstructure			Cu. Yd. 30.9
Bridge Deck Grooving			Sq. Yd. 112
Protective Coat			Sq. Yd. 124
Stud Shear Connectors			Each 540
Cleaning and Painting Steel Bridge			L. Sum 1
Reinforcement Bars, Epoxy Coated			Pound 7,790

MIN. BAR LAPS
#5 bars = 2'-2"
#6 bars = 2'-7"



CROSS SECTION

HLR
Rice, Berry and Associates
A Division of Hampton, Lenzini and Renwick, Inc.
Civil & Structural Engineers
801 S. Durkin Drive
Springfield, Illinois 62704
217-546-3400
P.O. Box 1036
DuQuoin, Illinois 62832
618-790-4637
Account Number 12-16-0017-1
Date: 06/10/05
DESIGNED: T.P.L. CHECKED: S.W.M. DRAWN: D.T.M.

SUPERSTRUCTURE
SECTION 02-00063-00-BR
C.H. 11 / F.A.S. 585
BROWN COUNTY
STRUCTURE NO. 005-3020 / STATION 10+00