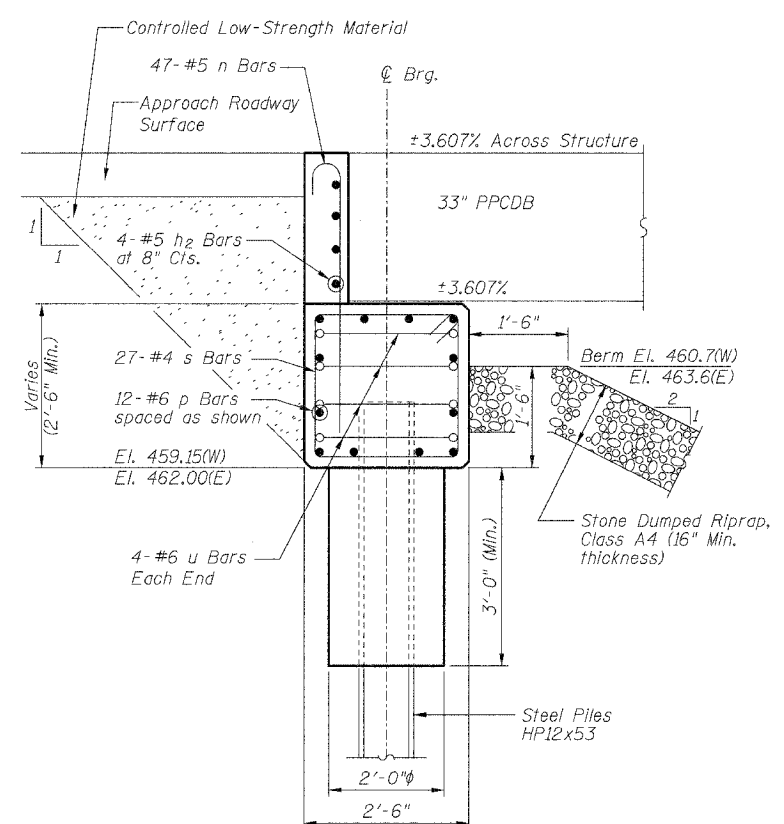
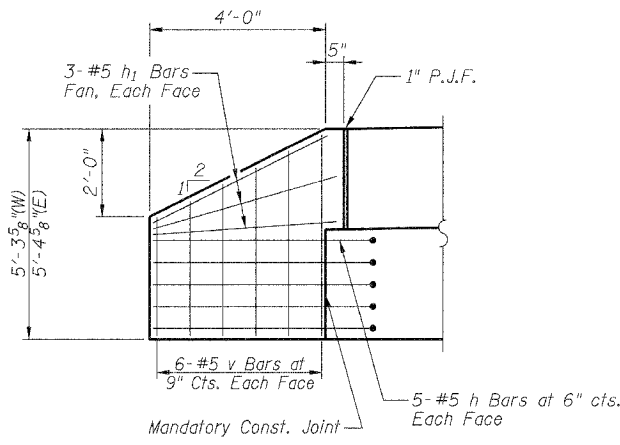


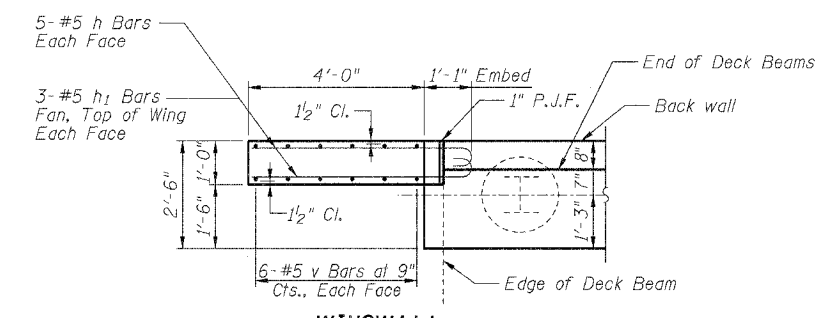
ROUTE	SECTION	COUNTY	TOTAL SHEETS	SHEET NO.
TR 227	98-11120-00-BR	JEFFERSON	35	22
FED. ROAD DIST. NO. 7 ILLINOIS		FED. AID PROJECT		
CONTRACT NO. 95437				



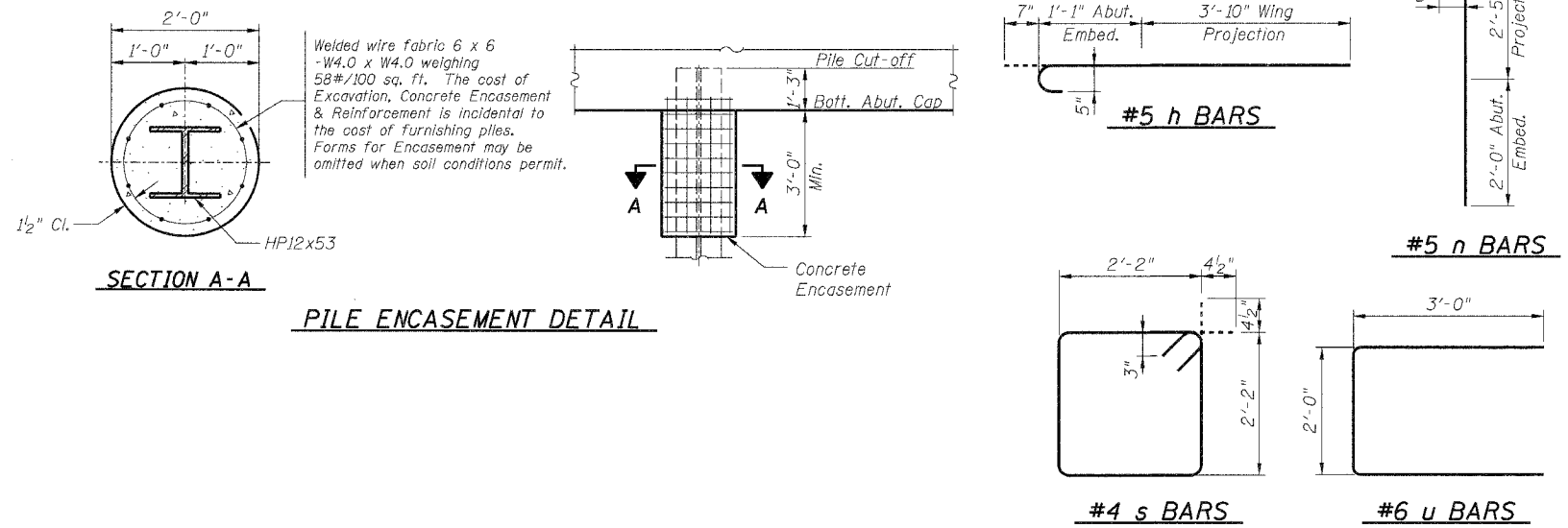
SECTION THRU ABUTMENT
Normal to Abutment



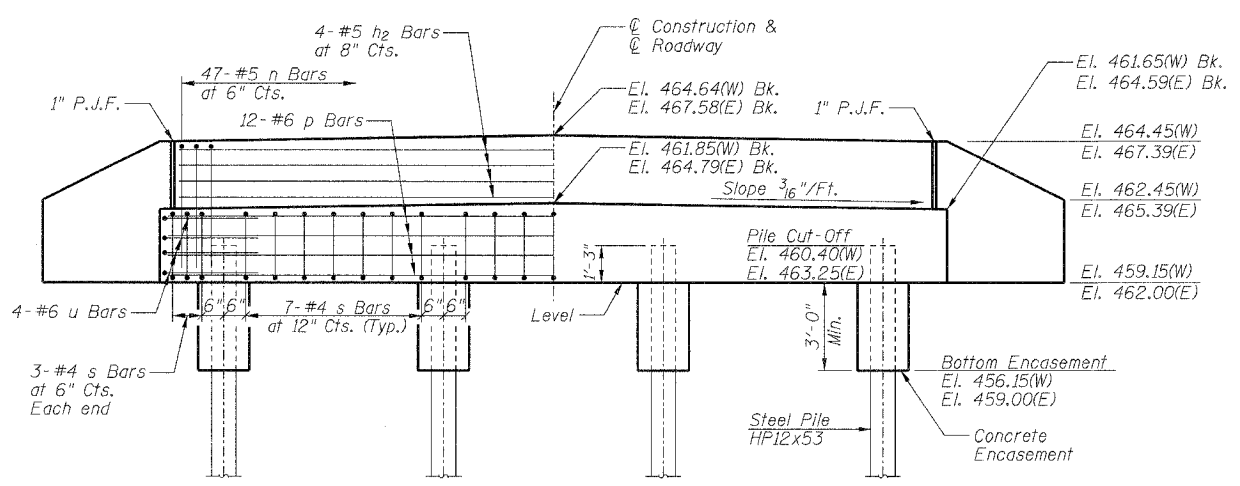
ELEVATION OF WINGWALL



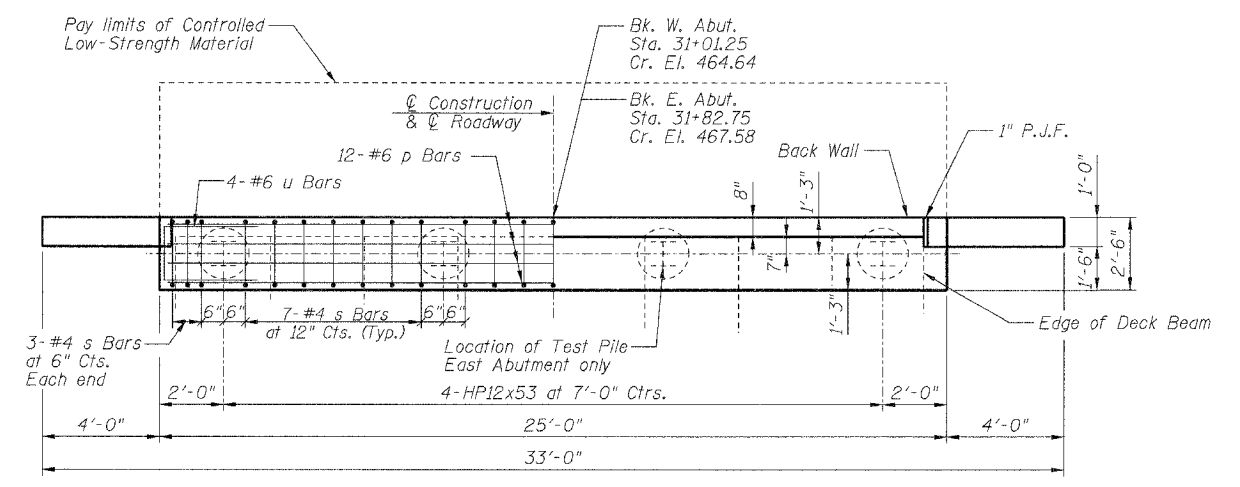
WINGWALL CONNECTION DETAIL



PILE ENCASUREMENT DETAIL



ELEVATION



PLAN

PILE DATA

Type:

West Abutment	HP12x53
East Abutment	HP12x53

Number Required:

West Abutment	4
East Abutment	3 + 1 Test Pile

Capacity: Drive to Refusal (Do not overdrive)

Estimated Length:

West Abutment	49 foot
East Abutment	52 foot

Total Estimated Length: (Does not include Test Pile)

Steel HP12x53	352 foot
---------------	----------

BILL OF MATERIALS
ONE ABUTMENT w/ WINGWALLS

Bar	No.	Size	Length	Shape
h	20	#5	5'-6"	
h1	12	#5	4'-6"	
h2	4	#5	23'-8"	
n	47	#5	5'-0"	
p	12	#6	24'-8"	
s	27	#4	9'-5"	
u	8	#6	8'-0"	
v	24	#5	5'-0"	CUT IN FIELD
Concrete Structures			Cu Yd	9.2
Reinforcement Bars			Pound	1350

GENERAL NOTES

- All exposed edges shall have standard 3/4" chamfer, unless otherwise noted.
- All clearances between reinforcement bars and form surface shall be 2", unless otherwise noted.
- Space reinforcement in cap to miss PPCDB dowel rods.
- The Contractor shall drive one (1) Steel HP12x53 Test Pile in a permanent location at the East Abutment as directed by the Engineer before ordering the remainder of the piles.
- (W) = West Abutment.
- (E) = East Abutment.

ABUTMENT DETAILS
PROPOSED OVERFLOW BRIDGE
FOR CASEY FORK
TR 227 / STA. 31+42.00
SECTION 98-11120-00-BR
JEFFERSON COUNTY, ILLINOIS

05/24/2005