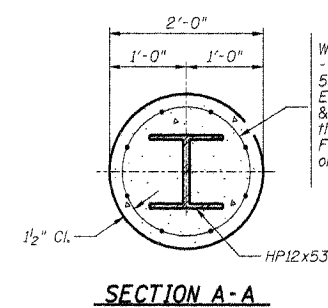
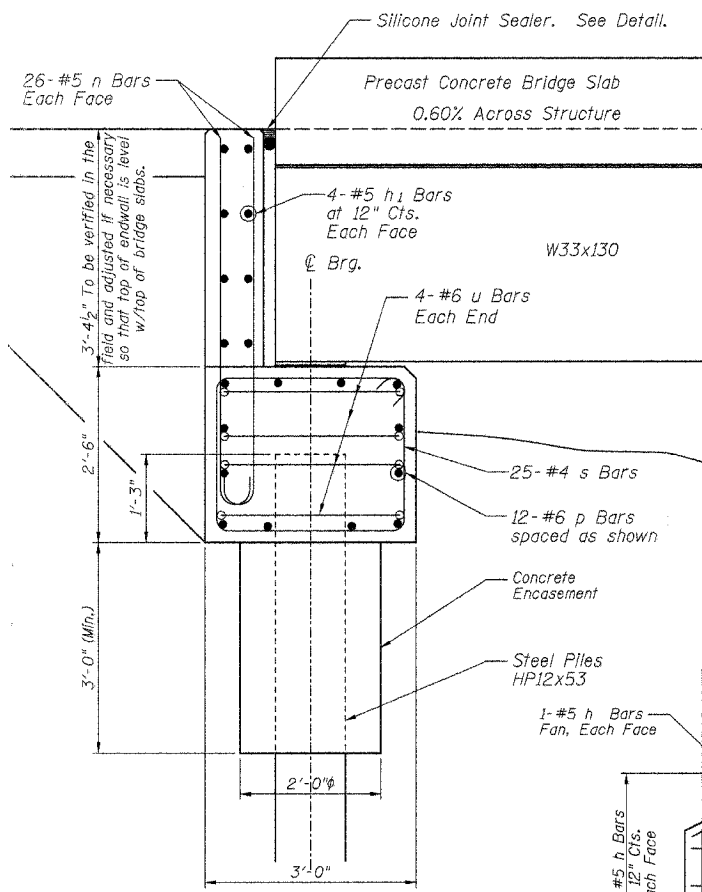
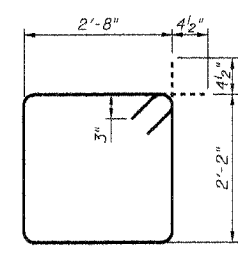
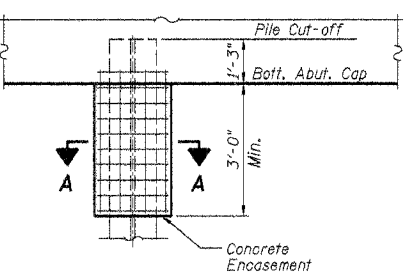


ROUTE	SECTION	COUNTY	TOTAL SHEETS	SHEET NO.
TR 227	98-11120-00-BR	JEFFERSON	35	32
FED. ROAD DIST. NO. 7 ILLINOIS		FED. AID PROJECT		
CONTRACT NO.				

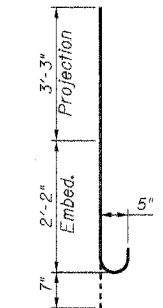


PILE ENCASEMENT DETAIL

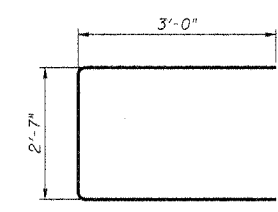
Welded wire fabric 6 x 6 - W4.0 x W4.0 weighing 58#/100 sq. ft. The cost of Excavation, Concrete Encasement & Reinforcement is incidental to the cost of furnishing piles. Forms for Encasement may be omitted when soil conditions permit.



#4 s BARS



#5 n BARS



#6 u BARS

PILE DATA

Type:
 West Abutment HP12x53
 East Abutment HP12x53

Number Required:
 West Abutment 4
 East Abutment 3 + 1 Test Pile

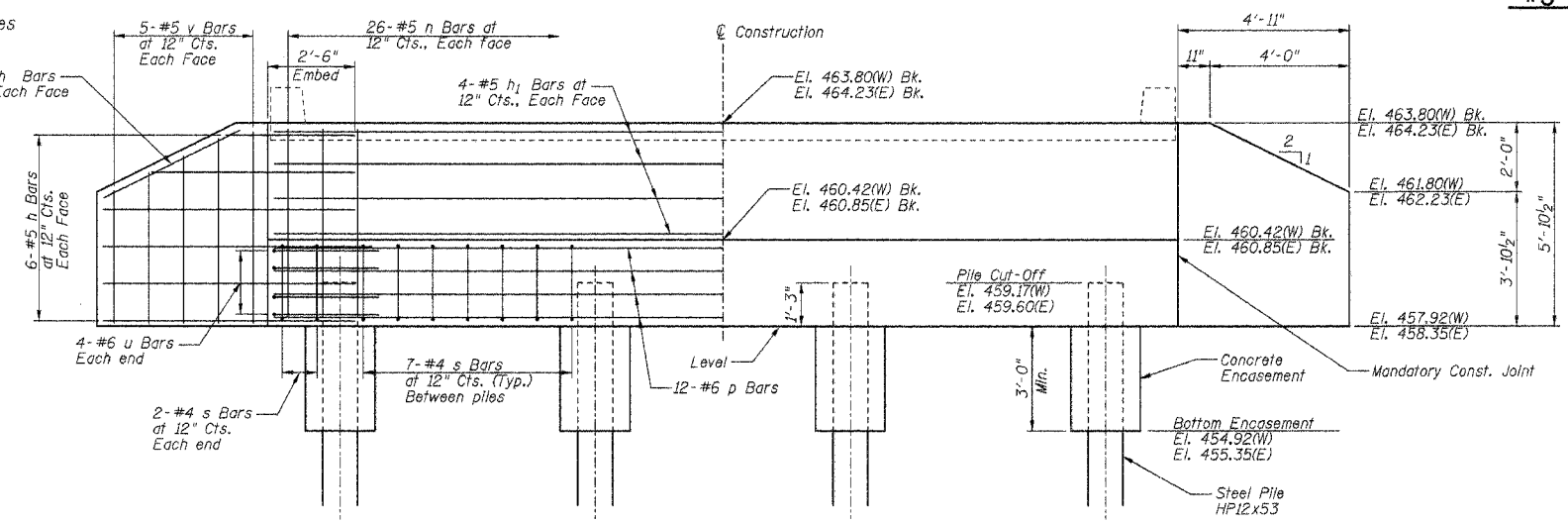
Capacity: Drive to Refusal (Do not overdrive)

Estimated Length:
 West Abutment 49 foot
 East Abutment 50 foot

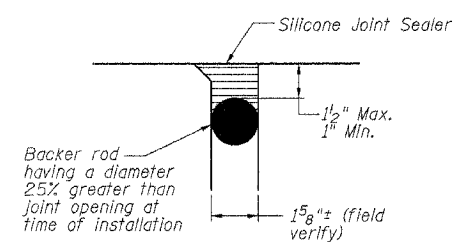
Total Estimated Length: (Does not include Test Pile)
 Steel HP12x53 346 foot

BILL OF MATERIALS ONE ABUTMENT w/ WINGWALLS

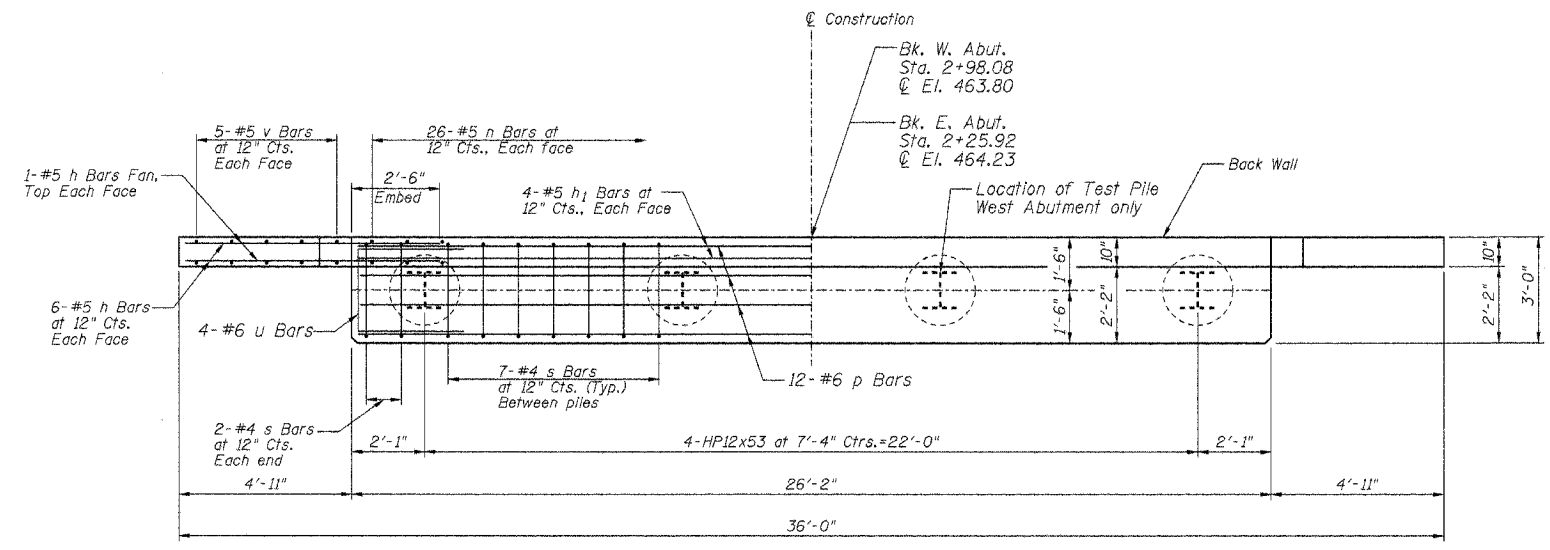
Bar	No.	Size	Length	Shape
h	28	#5	7'-3"	CUT IN FIELD
h ₁	8	#5	25'-10"	
n	52	#5	6'-0"	
p	12	#6	25'-10"	
s	25	#4	10'-5"	
u	8	#6	8'-7"	
v	20	#5	5'-6"	CUT IN FIELD
Concrete Structures			Cu Yd	11.5
Reinforcement Bars			Pound	1610



ELEVATION



SILICONE JOINT SEALER
See Special Provisions



PLAN

GENERAL NOTES

All exposed edges shall have standard 3/4" chamfer, unless otherwise noted.

The Contractor shall drive one (1) Steel HP12x53 Test Pile in a permanent location at the West Abutment as directed by the Engineer before ordering the remainder of the piles.

All clearances between reinforcement bars and form surface shall be 2", unless otherwise noted.

Space reinforcement in cap to miss PPCDB anchor bolts.

(W) = West Abutment.
 (E) = East Abutment.

ABUTMENT DETAILS
PROPOSED FIELD ROAD BRIDGE
OVER CASEY FORK
STA. 2+62.00
SECTION 98-11120-00-BR
JEFFERSON COUNTY, ILLINOIS

Sheet
 32
 of 35
 Job No. 52303

05/16/2005