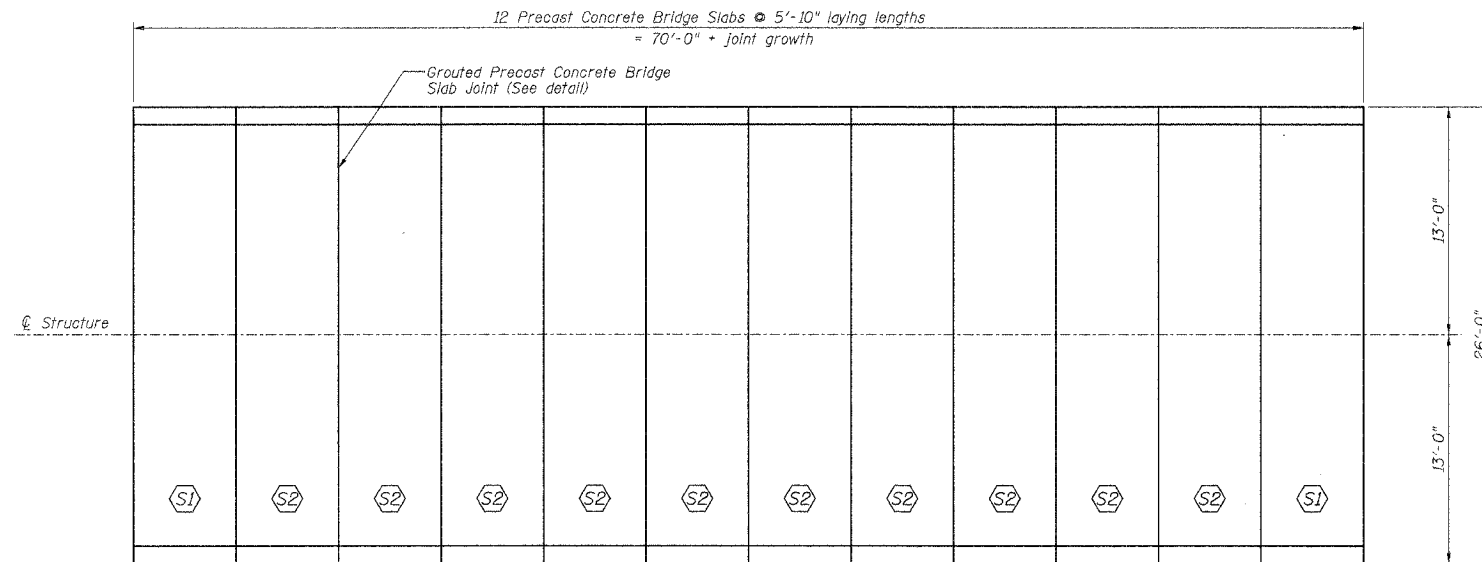
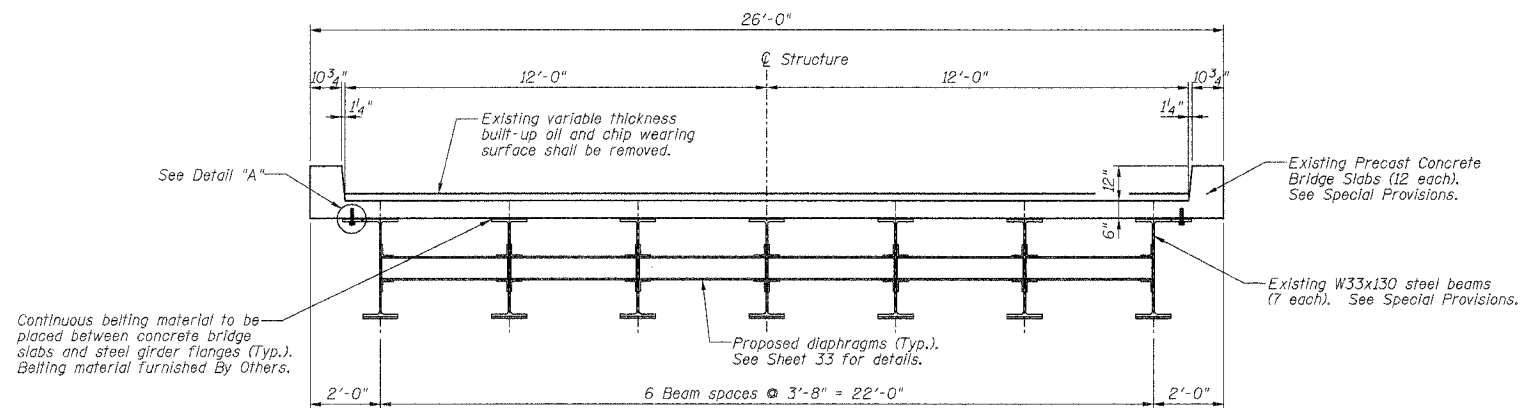


| | | | | |
|--------------------------------|----------------|------------------|--------------|-----------|
| ROUTE | SECTION | COUNTY | TOTAL SHEETS | SHEET NO. |
| TR 227 | 98-11120-00-BR | JEFFERSON | 35 | 35 |
| FED. ROAD DIST. NO. 7 ILLINOIS | | FED. AID PROJECT | | |
| CONTRACT NO. 95437 | | | | |



PLAN VIEW

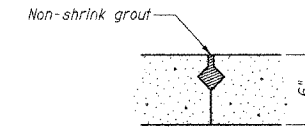
Note: (S1) Slabs have inserts cast in underside of slab for connection to W33x130 steel beams. See Detail A.



CROSS SECTION THRU BRIDGE

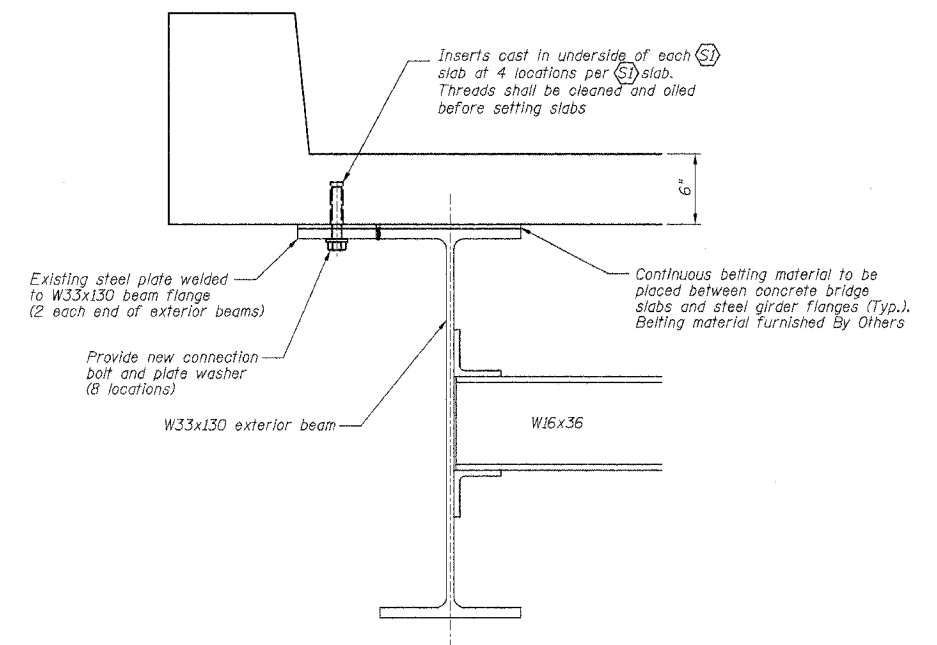
EXISTING CONCRETE BRIDGE SLAB DATA

Number: 12 each
 Laying Length: 5'-10"
 Weight per bridge slab: 13,100 lbs (does not include existing built-up oil and chip wearing surface)



EXISTING PRECAST CONCRETE BRIDGE SLAB JOINT DETAIL

Note: Existing grout keyway joint shall be cleaned prior to setting slabs.



DETAIL "A"

**PRECAST CONCRETE BRIDGE SLAB DETAILS
 PROPOSED FIELD ROAD BRIDGE**

OVER CASEY FORK

STA. 2+62.00

SECTION 98-11120-00-BR

JEFFERSON COUNTY, ILLINOIS

Sheet
 35
 of 35
 Job No. 52303

05/24/2005