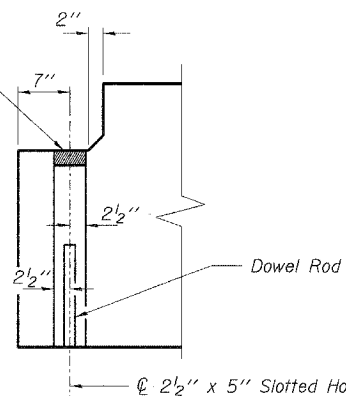
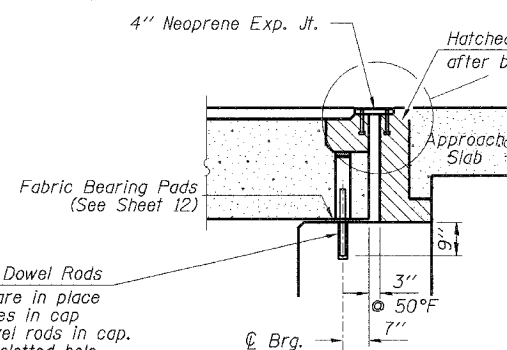


Slotted hole shall be covered with a cap or plugged before placement of the Expansion Joint concrete.

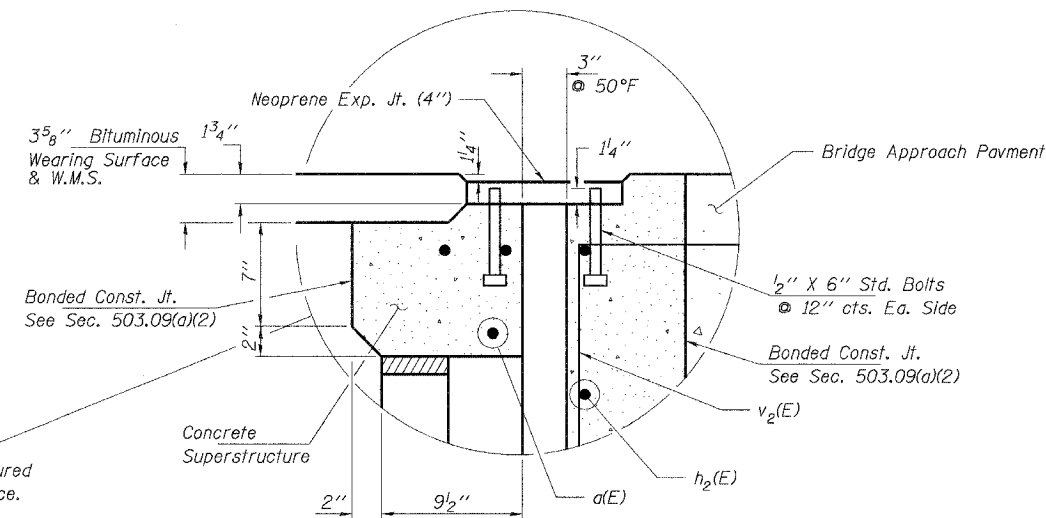


**NOTCH BEAM DETAIL AT EXPANSION END**



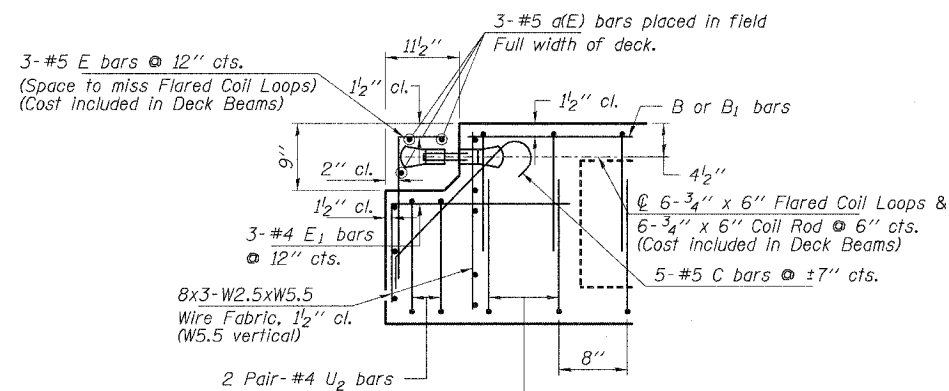
1 1/4"  $\phi$  x 1'-6" Dowel Rods  
After beams are in place drill 1 3/4"  $\phi$  holes in cap and grout dowel rods in cap. Do not grout slotted hole at expansion end of beams. Slotted hole shall be covered before concrete for expansion joint is placed.

**EXPANSION ABUTMENT DETAIL**

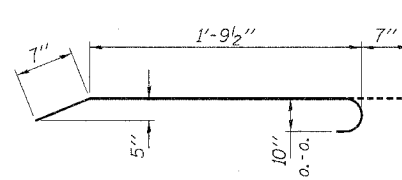


**NEOPRENE EXPANSION JOINT**  
See Sheet 15 for Neoprene Expansion Joint details.

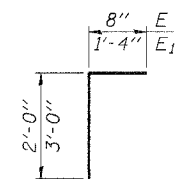
Notes:  
Joint openings shall be adjusted according to Article 503.10(c) of the Standard Specifications when the deck is poured at an ambient temperature other than 50° F.  
Concrete Superstructures shall be poured after shear keys are grouted and cured.



**EXPANSION END ELEVATION**  
(At Abutments)



**BAR C**



**BARS E & E1**

Note: Space reinforcement bars to miss dowel rod holes.

**BILL OF MATERIAL**

BAR	NO.	SIZE	LENGTH	SHAPE
a(E)	6	#5	29'-8"	—
Reinf. Bars, Epoxy Coated			Pound	185
Neoprene Expansion Joint 4"			Foot	60
Concrete Superstructure			Cu. Yd.	1.6

**HLR**  
Rice, Berry and Associates  
A Division of Hampton, Lenzini and Renwick, Inc.  
Civil & Structural Engineers  
801 S. Durkin Drive  
Springfield, Illinois 62704  
217-546-3400  
P.O. Box 1036  
DuQuoin, Illinois 62832  
618-190-4637  
Date: 05/26/05  
DESIGNED: T.P.L. CHECKED: S.W.M. DRAWN: D.B.

**SUPERSTRUCTURE DETAILS**

SECTION 00-00065-00-BR

F.A.S. 888 / C.H. II

GALLATIN COUNTY

STR. NO. 030-3116 / STATION 10+00