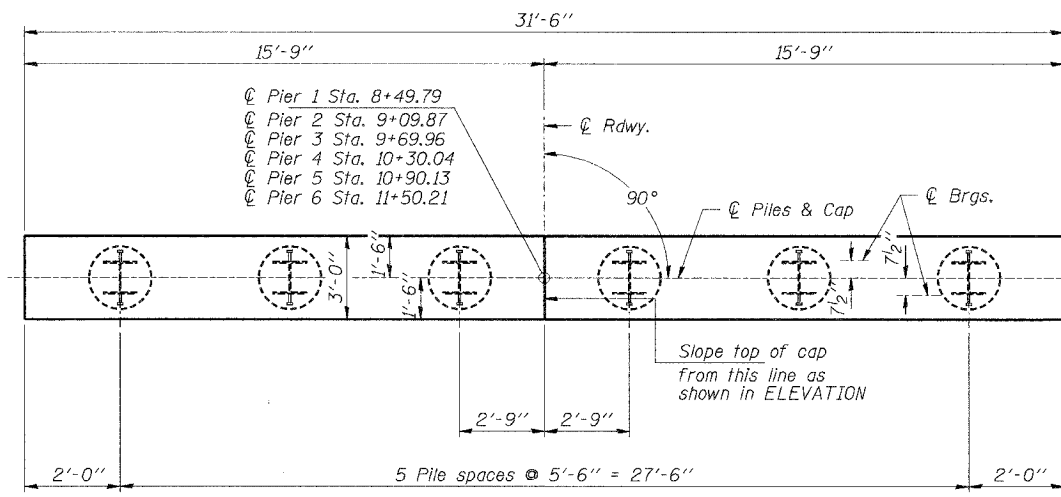
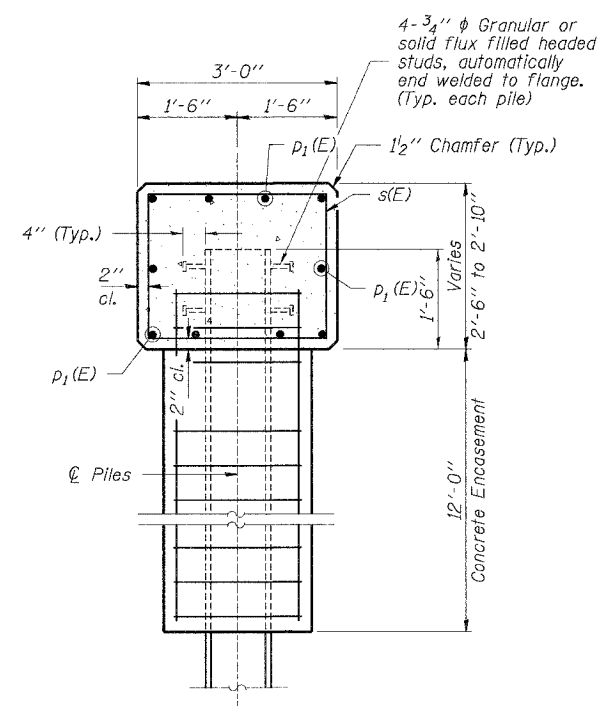


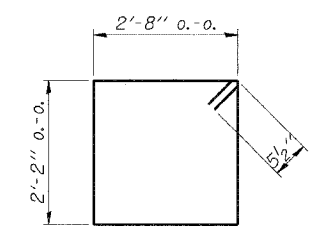
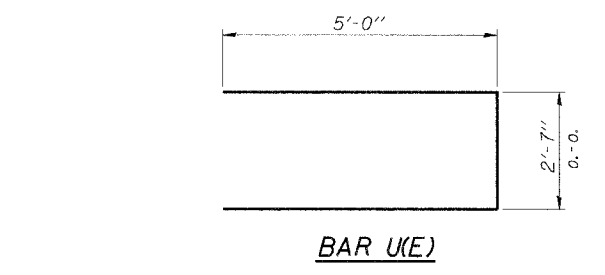
CONTRACT NO. 99232



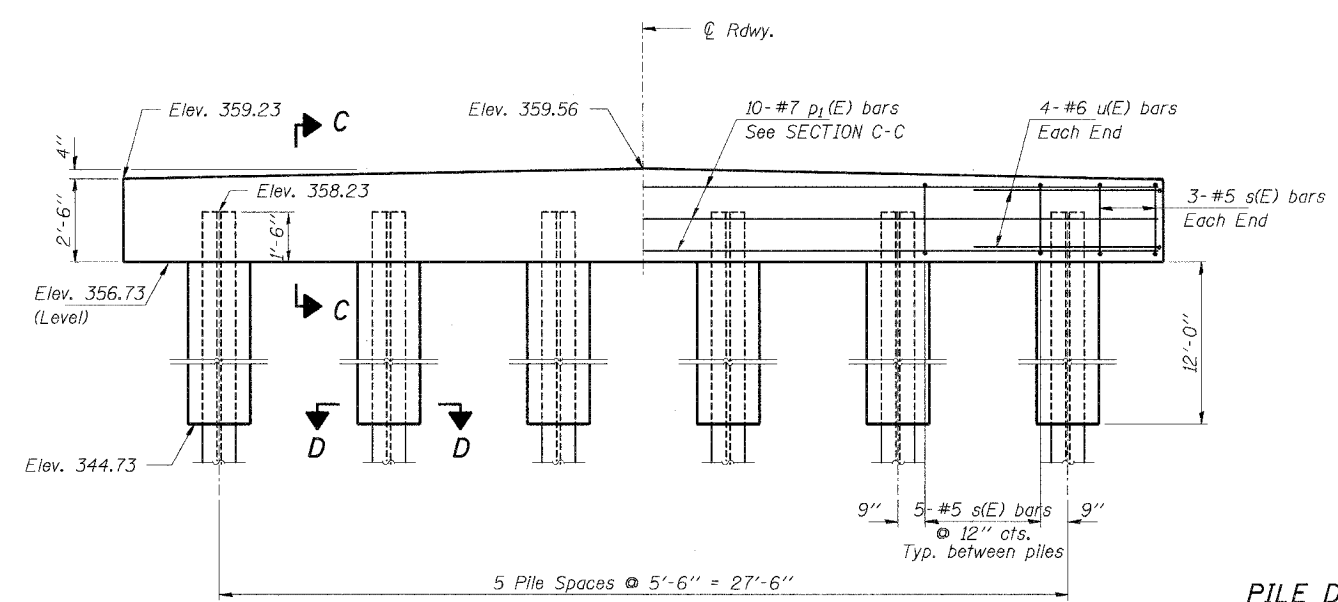
PLAN



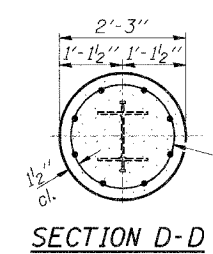
SECTION C-C



BAR S(E)

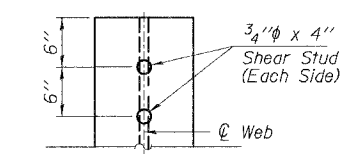


ELEVATION



SECTION D-D

Welded wire fabric 6x6-W4.0xW4.0 weighing 58#/100 sq. ft. The cost of Excavation and Reinforcement is included in the cost of Concrete Encasement. Form for encasement may be omitted when soil conditions will permit.



PILE SHEAR STUD CONNECTION DETAIL

PILE DATA

Type Steel HP14x73
 No. Req'd. *36
 Req'd Bearing Capacity Drive To Refusal
 Design Loading 97 Ton/Pile
 Est. Length** 180 Feet/Pile

* Includes two steel test piles to be driven in permanent locations, one at Pier 1 and Pier 6.

** All piles shall be driven below a minimum tip Elevation = 240.0

27 Tons of design loading is due to seismic liquefaction.

BILL OF MATERIAL - 6 PIERS

BAR	NO.	SIZE	LENGTH	SHAPE
p ₁ (E)	60	#7	31'-2"	—
s(E)	186	#5	10'-7"	□
u(E)	48	#6	12'-7"	—
Concrete Structures			Cu. Yd.	56.0
Reinforcement Bars, Epoxy Coated			Pound	6,780
Steel Pile HP14x73			Foot	6,120
Test Pile Steel HP14x73			Each	2
Concrete Encasement			Cu. Yd.	63.6
Stud Shear Connectors			Each	144

HLR

Rice, Berry and Associates
 A Division of Hampton, Lenzini and Renwick, Inc.
 Civil & Structural Engineers
 801 S. Durkin Drive
 Springfield, Illinois 62704
 217-546-3400
 P.O. Box 1036
 DuQuoin, Illinois 62832
 Date: 05/26/05
 618-790-4637

Account Number 12-38-0003-1
 Date: 05/26/05

DESIGNED: T.P.L. CHECKED: S.W.M. DRAWN: D.B.

PIERS
 SECTION 00-00065-00-BR
 F.A.S. 888 / C.H. 11
 GALLATIN COUNTY
 STR. NO. 030-3116 / STATION 10+00