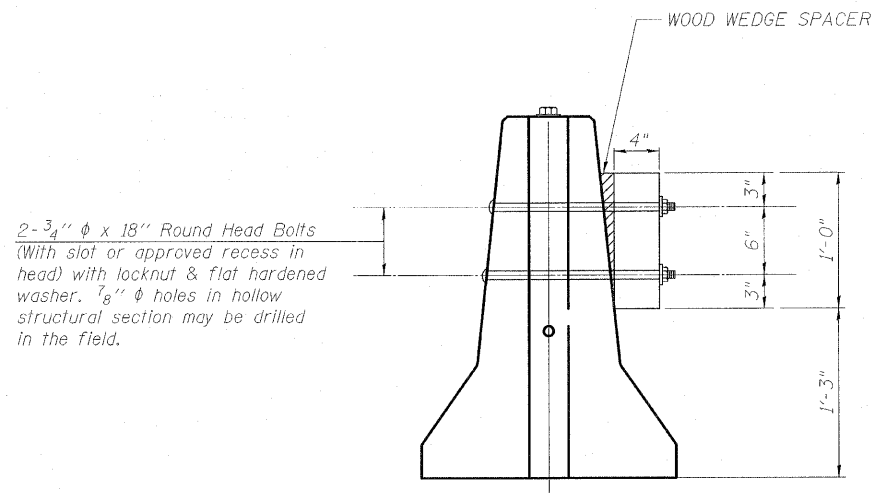


TEMPORARY RAIL AND BARRIER CONNECTION



SECTION A-A

Note: All labor, materials, and equipment required to provide the Temporary Steel Railing connection to Temporary Concrete Barrier as shown on this sheet shall be included in the cost for Temporary Concrete Barrier and Relocated Temporary Concrete Barrier.

FILE NAME =	USER NAME = #USER#	DESIGNED - RWK	REVISED -	STATE OF ILLINOIS DEPARTMENT OF TRANSPORTATION	TEMPORARY STEEL RAILING AND BARRIER TRANSITION DETAIL IL ROUTE 31 (STATE STREET) OVER SOO LINE RAILROAD	F.A.I. RTE.	SECTION	COUNTY	TOTAL SHEETS	SHEET NO.	
#FILEL#	PLOT SCALE = #SCALE#	DRAWN - RWK	REVISED -			3887	R-VB-R	KANE	83	15	
	PLOT DATE = #DATE#	CHECKED - FML	REVISED -			CONTRACT NO. 60C06					
		DATE - 07/01/2011	REVISED -			SCALE: N.T.S.	SHEET NO. 1 OF 1 SHEETS	STA.	TO STA.		FED. ROAD DIST. NO.