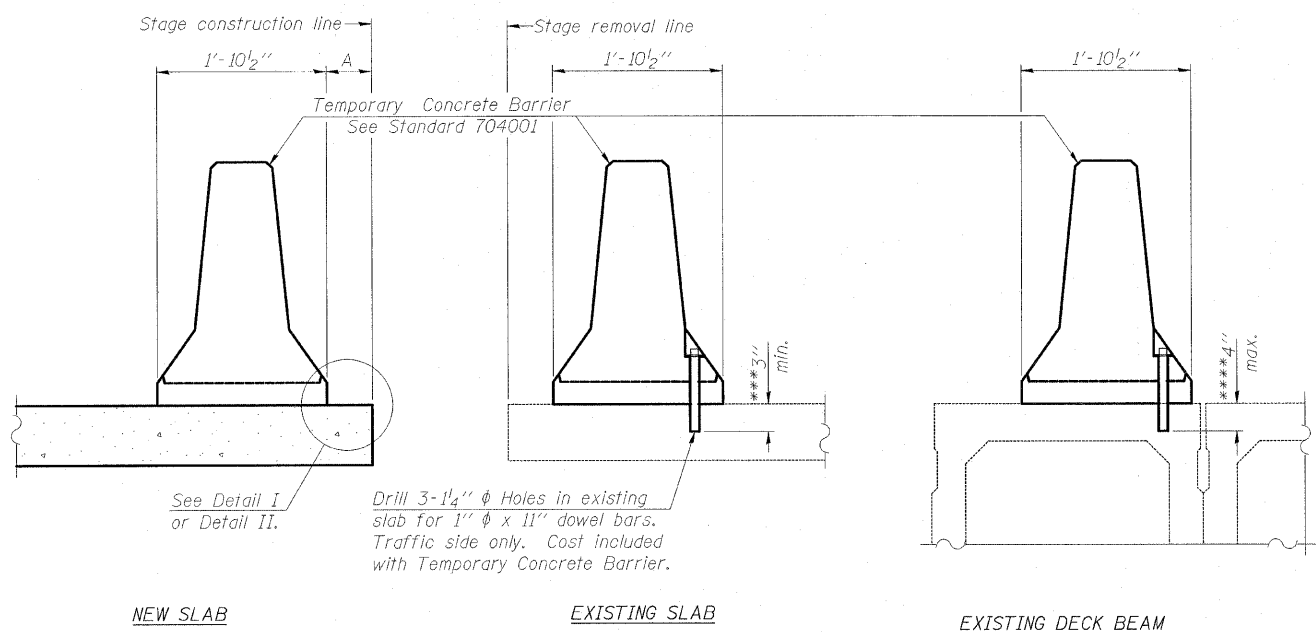


STATE OF ILLINOIS  
DEPARTMENT OF TRANSPORTATION

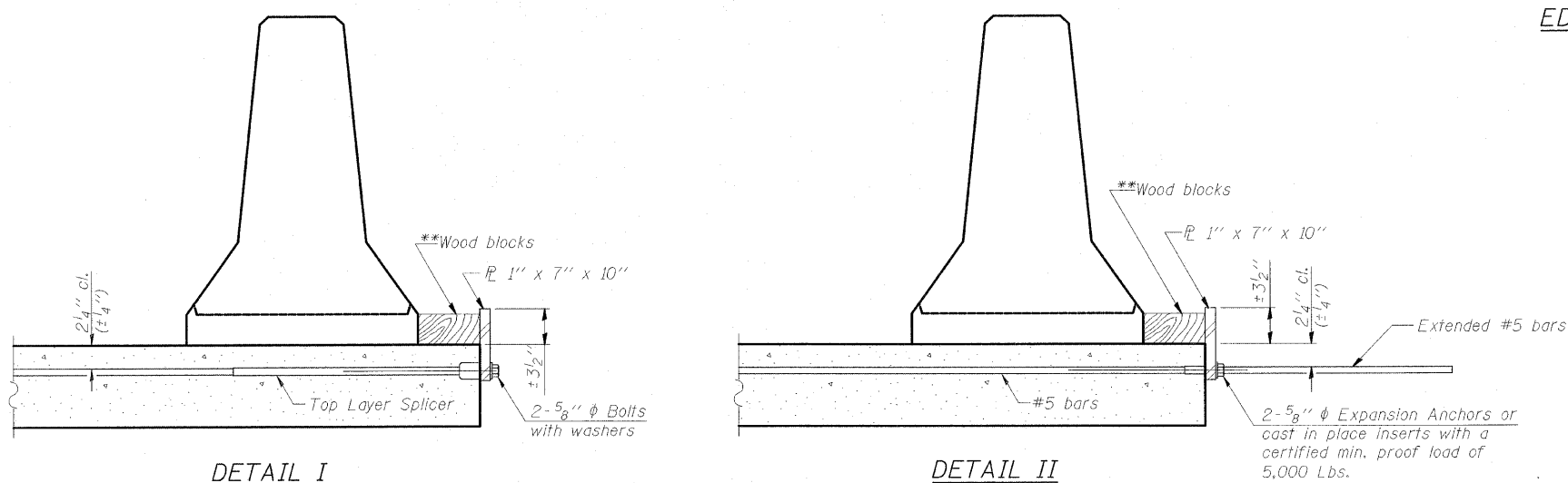


SECTIONS THRU SLAB OR DECK BEAM

When "A" is 3'-6" or less, the temporary concrete barrier shall be anchored to the new slab according to Detail I or Detail II. No anchorage is required when "A" is greater than 3'-6".

\*\*\* Dimension shown is minimum required embedment into concrete. If hot-mix asphalt wearing surface is present, minimum embedment shall be in addition to wearing surface depth.

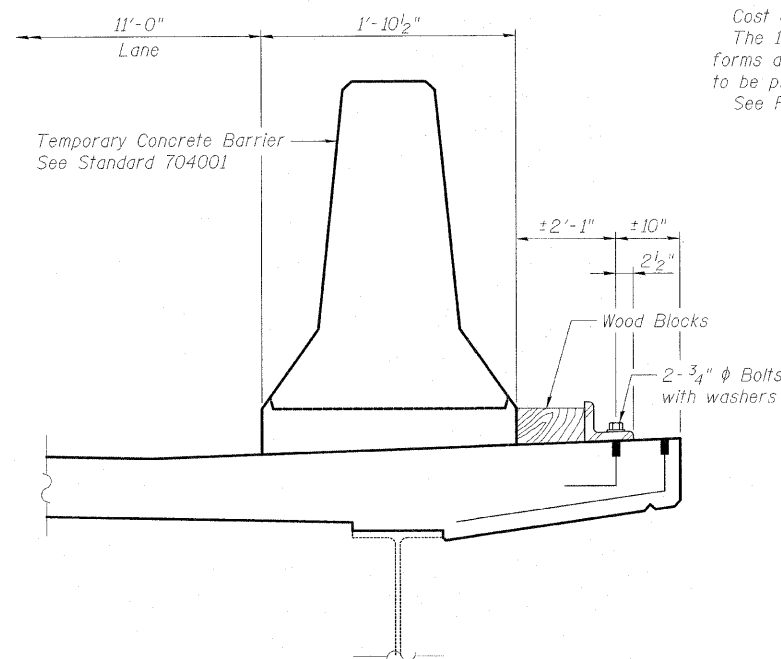
\*\*\*\* If existing deck beam is to remain in place after stage construction, embedment shall only be into wearing surface and not into existing deck beam concrete.



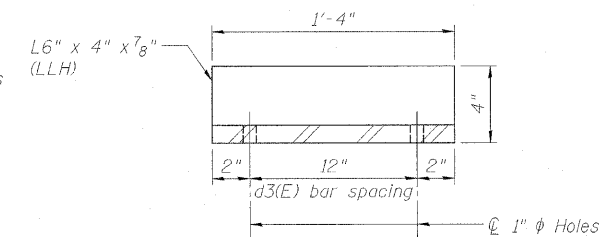
DETAIL I

DETAIL II

\*\*Wood blocks may be omitted when required to provide minimum stage traffic lane width. When the wood blocks are omitted, the concrete barrier shall be in direct contact with the steel retainer plate.

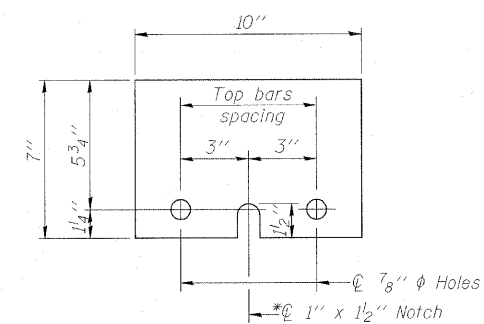


EDGE OF DECK ANCHOR DETAIL



STEEL RETAINER ANGLE

Required only at edge of deck



STEEL RETAINER PLATE 1" x 7" x 10"

\* Required only with Detail II

- NOTES**
- Detail I - With Bar Splicer or Couplers:  
Connect one (1) 1"x7"x10" steel PL to the top layer of couplers with 2-5/8" φ bolts screwed to coupler at approximate CL of each barrier panel.
  - Detail II - With Extended Reinforcement Bars:  
Connect one (1) 1"x7"x10" steel PL to the concrete slab or concrete wearing surface with 2-5/8" φ Expansion Anchors or cast in place inserts spaced between the top layer of reinforcement at approximate CL of each barrier panel.
- Cost of anchorage is included with Temporary Concrete Barrier. The 1" x 7" x 10" plate shall not be removed until stage II construction forms and all reinforcement bars are in place and the concrete is ready to be placed.  
See Roadway Plans for quantity of Temporary Concrete Barrier.

DESIGNED - TAH
CHECKED - DF
DRAWN - LAM
CHECKED - DF

BOWMAN, BARRETT & ASSOCIATES INC.  
CONSULTING ENGINEERS  
Chicago, Illinois  
312.228.0100  
www.bbdainc.com  
Job. No. 910



SHEET NO. S-5 S-34 SHEETS	F.A.U. RTE. 3887	SECTION R-VB-R	COUNTY KANE	TOTAL SHEETS 83	SHEET NO. 39
	CONTRACT NO. 60C06				
FED. ROAD DIST. NO. 1 ILLINOIS FED. AID PROJECT					