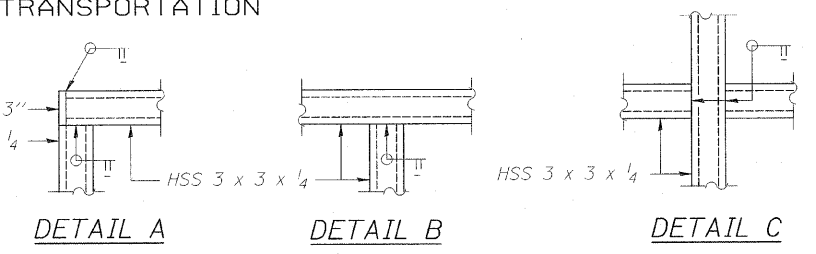
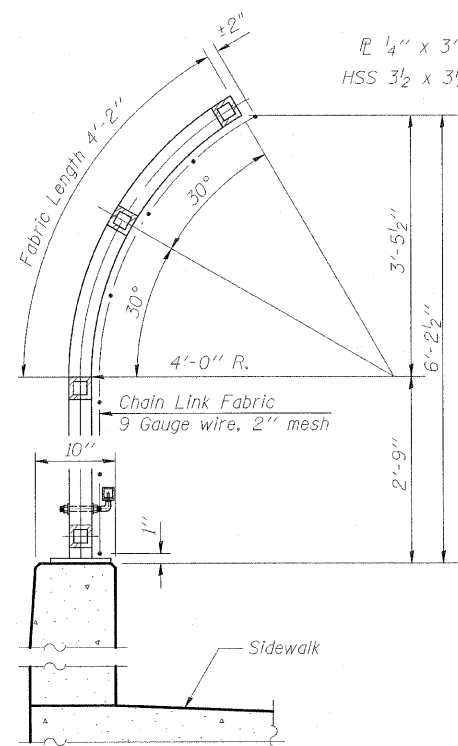
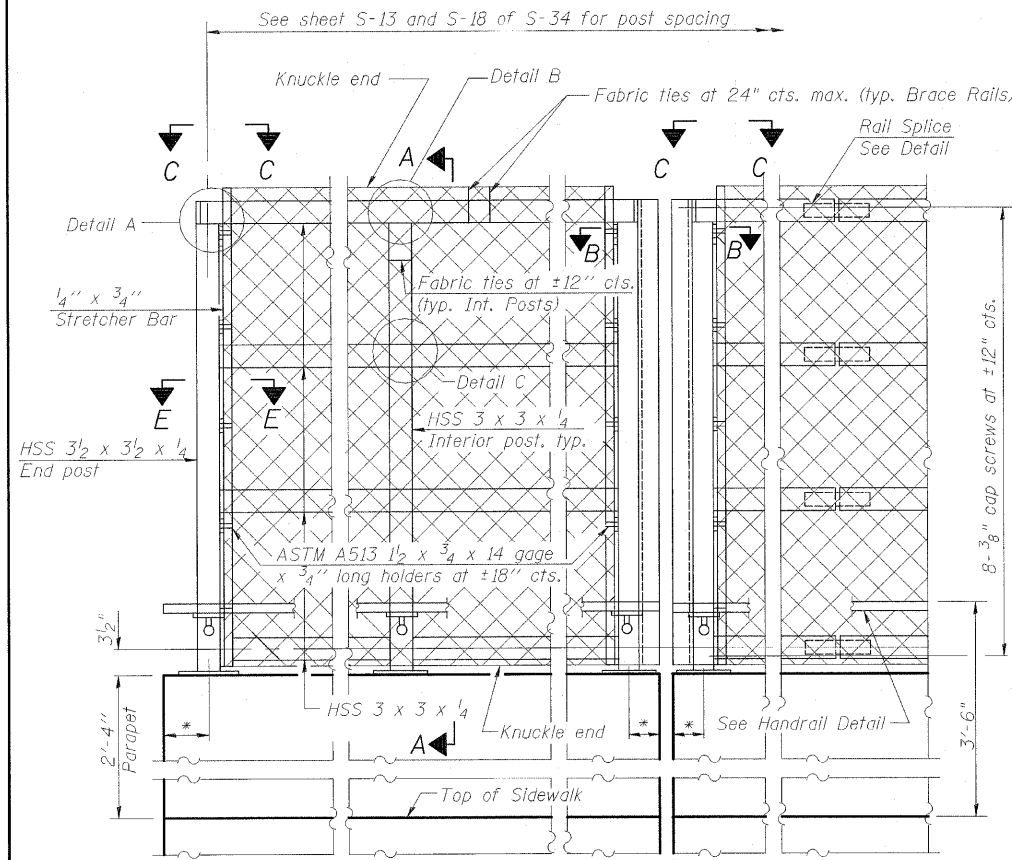
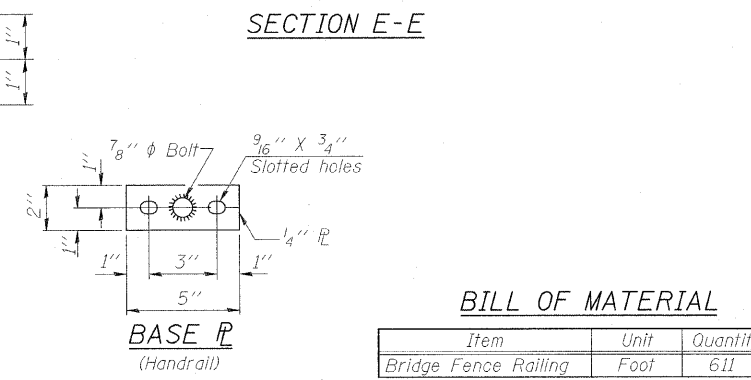
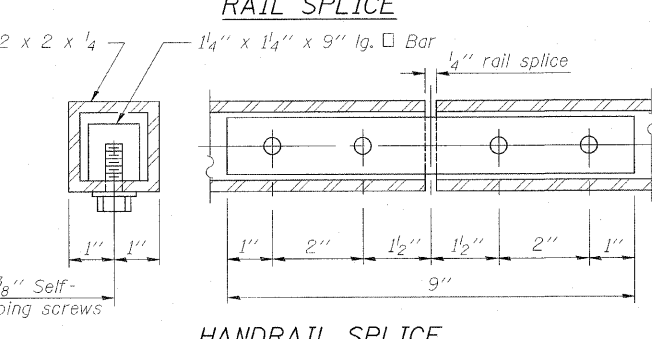
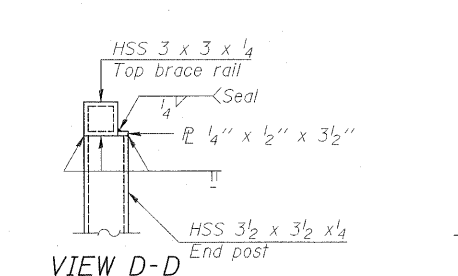
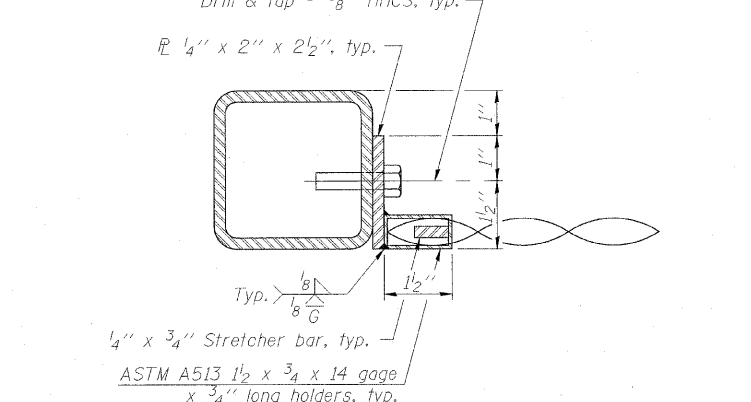
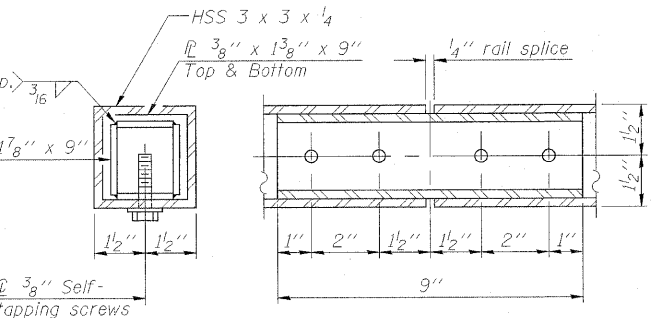
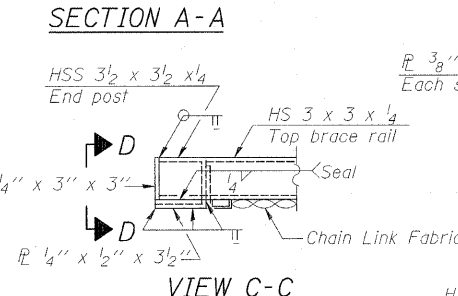
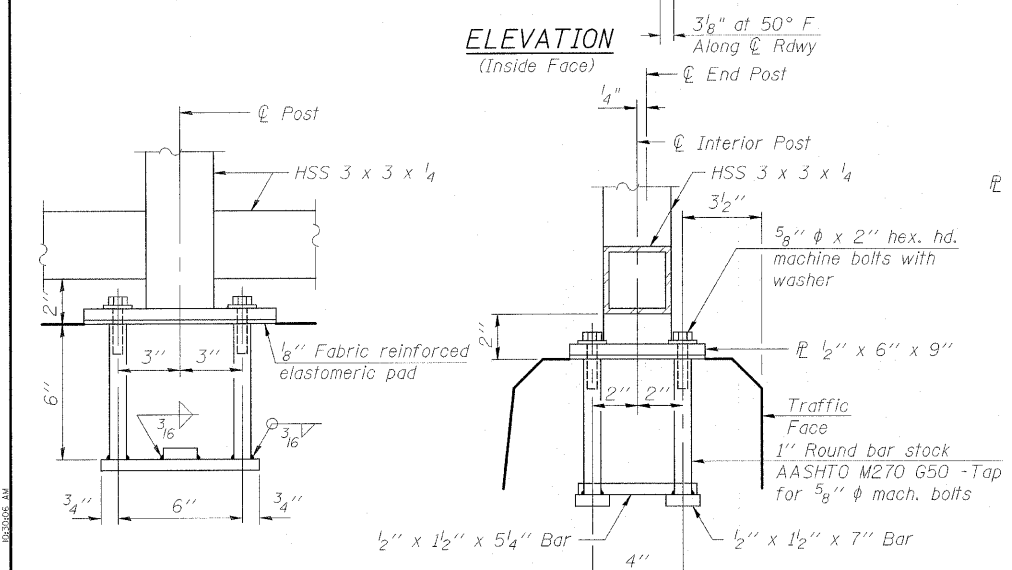
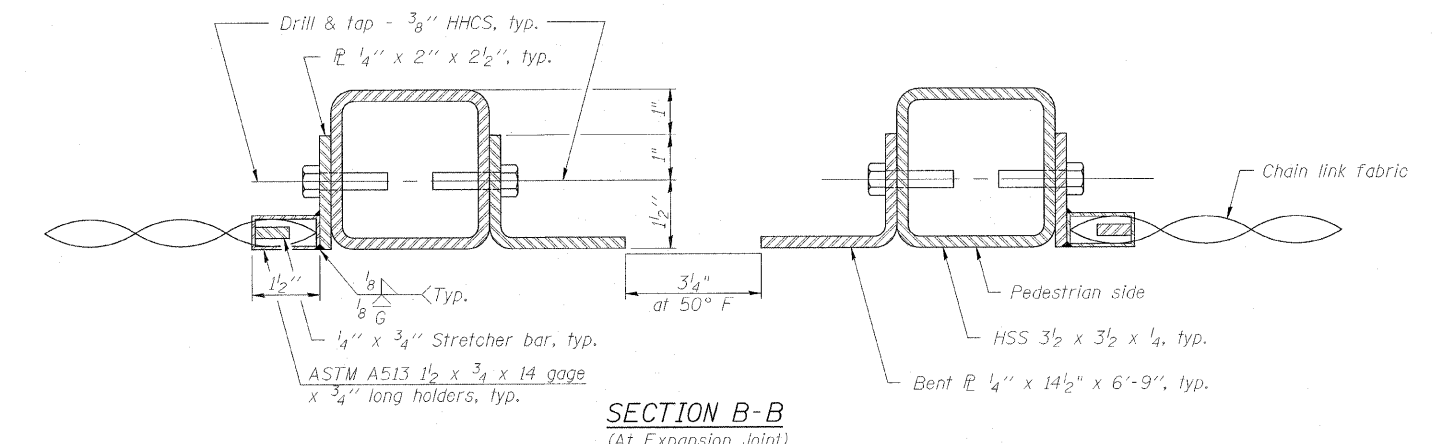


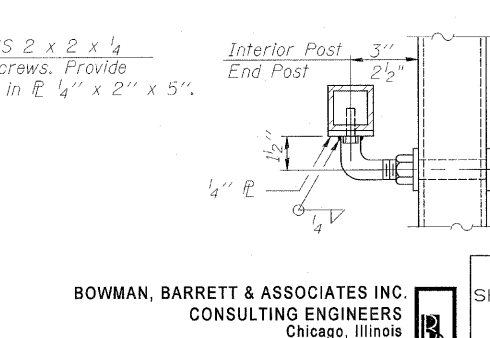
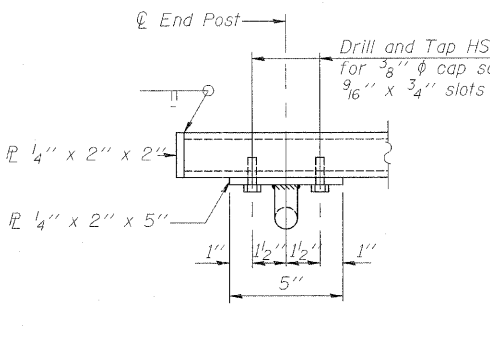
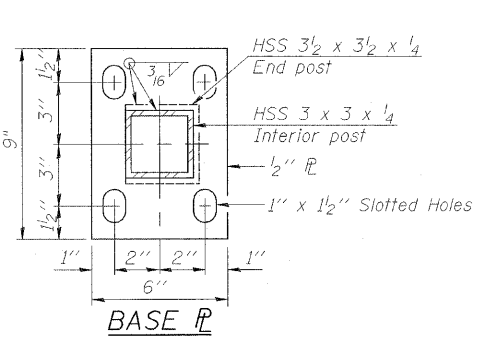
STATE OF ILLINOIS
DEPARTMENT OF TRANSPORTATION



All steel rail elements shall be galvanized according to Article 509.05 of the Standard Specifications.



ANCHOR BOLT DETAILS
In lieu of the cast-in-place anchor device shown, the Contractor has the option of drilling and setting 5/8" ϕ anchor rods according to Article 509.06 of the Standard Specifications. Embedment shall be according to the manufacturer's specifications.



BILL OF MATERIAL

Item	Unit	Quantity
Bridge Fence Railing	Foot	611

**BRIDGE FENCE RAILING
PARAPET MOUNTED
STRUCTURE NO. 045-0016**

DESIGNED - TAH
CHECKED - DF
DRAWN - LAM
CHECKED - DF

R-32

11-1-09

*Variable - See sheets S-13 and S-18
(10'-0" Maximum Post Spacing)

BOWMAN, BARRETT & ASSOCIATES INC.
CONSULTING ENGINEERS
Chicago, Illinois
312.228.0100
www.bbainc.com
Job No. 910

SHEET NO. S-20
S-34 SHEETS

F.A.U. RTE.	SECTION	COUNTY	TOTAL SHEETS	SHEET NO.
3887	R-VB-R	KANE	83	54
CONTRACT NO. 60C06				
FED. ROAD DIST. NO. 1 ILLINOIS FED. AID PROJECT				