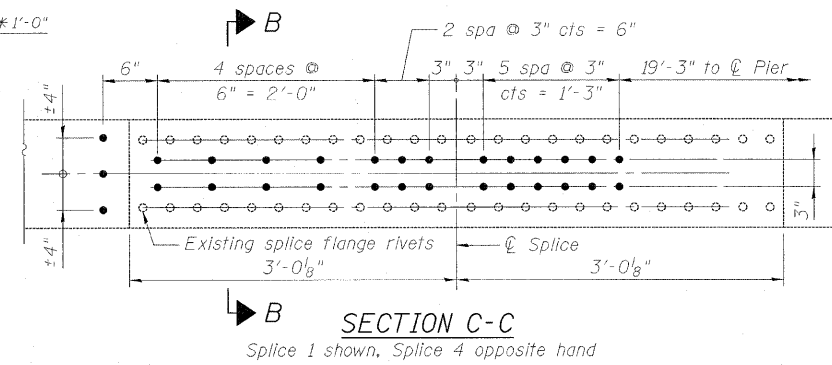
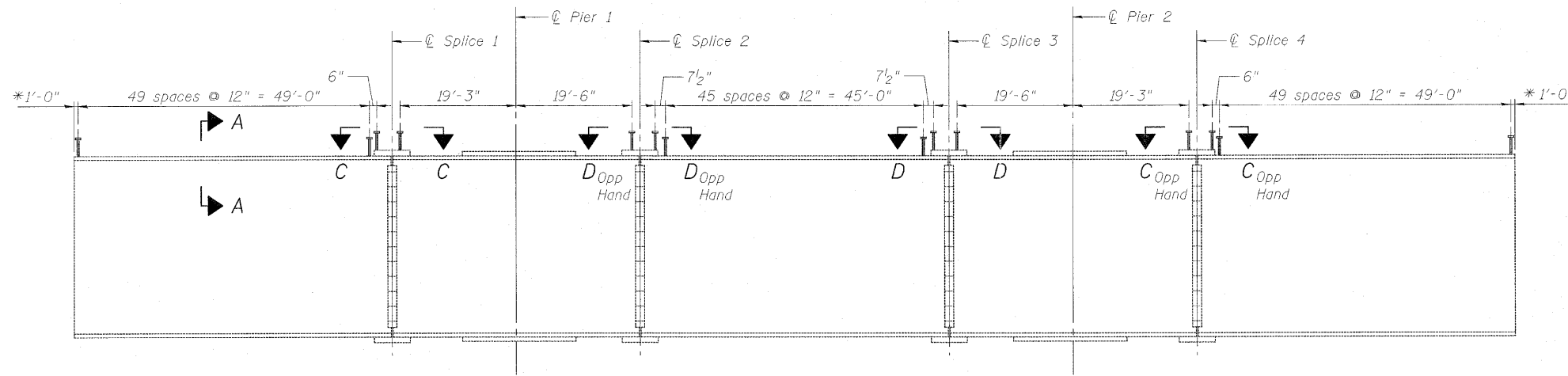
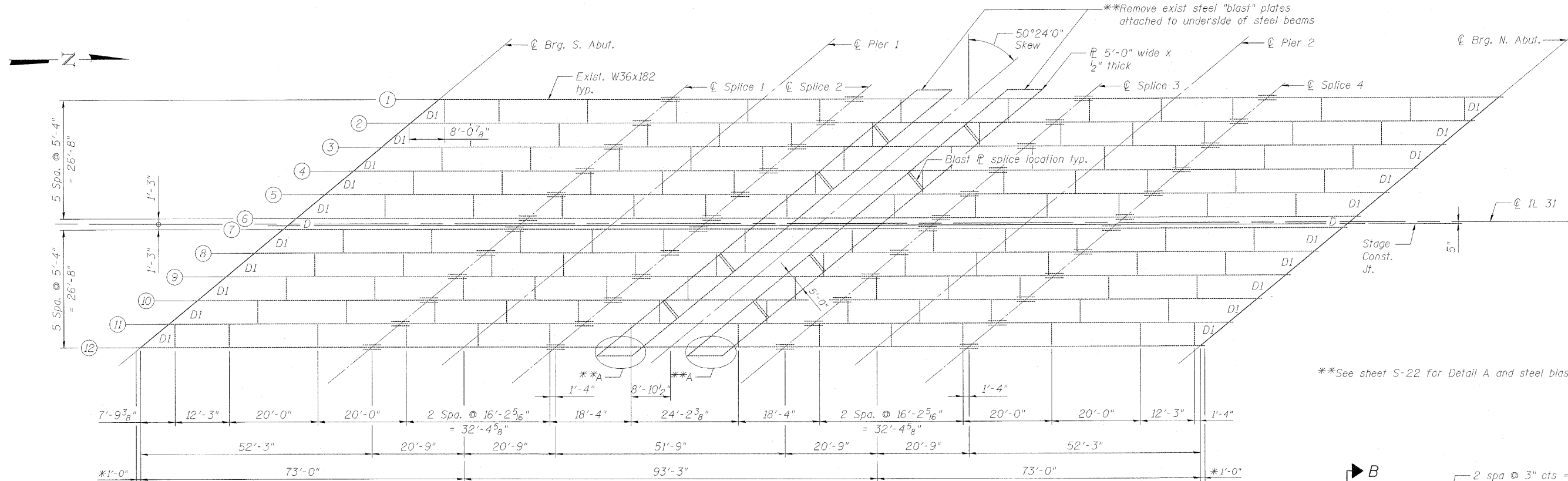
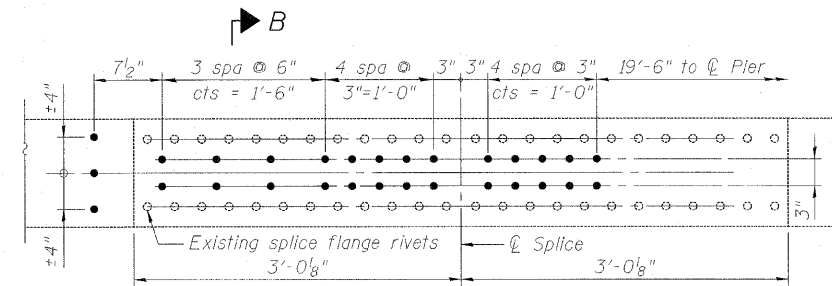


STATE OF ILLINOIS  
DEPARTMENT OF TRANSPORTATION



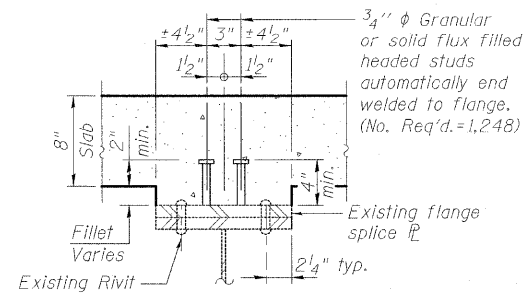
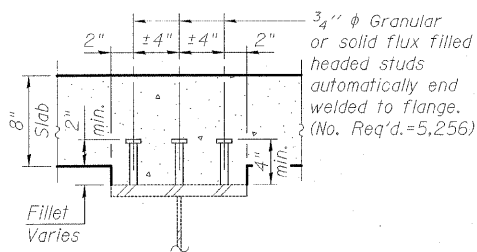
Splice 1 shown, Splice 4 opposite hand



Splice 3 shown, Splice 2 opposite hand

\* Existing beam end is notched.  
Dimension shown is maximum.

All beams have three studs/row except over the splices where there are 2 studs/row (see splice detail this sheet).



(At splice only)

BOWMAN, BARRETT & ASSOCIATES INC.  
CONSULTING ENGINEERS  
Chicago, Illinois  
312.228.0100  
www.bbandainc.com  
Job No. 910



DESIGNED - DF
CHECKED - TAH
DRAWN - LAM
CHECKED - DF

SHEET NO. S-21 S-34 SHEETS	F.A.U. RTE. 3887	SECTION R-VB-R	COUNTY KANE	TOTAL SHEETS 83	SHEET NO. 55
	FED. ROAD DIST. NO. 1 ILLINOIS FED. AID PROJECT			CONTRACT NO. 60C06	

FRAMING PLAN & BEAM DETAILS  
STRUCTURE NO. 045-0016